

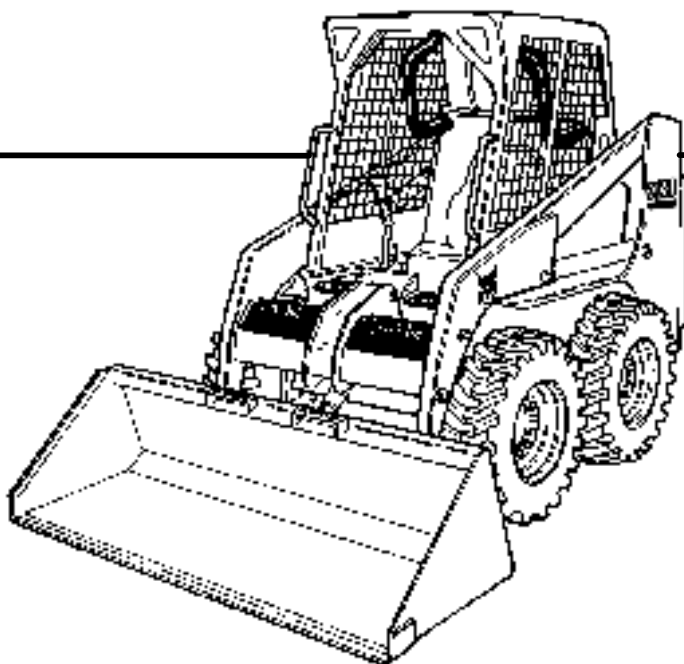
S130



Bobcat®

Parts Manual

5292 11001 & Above
5296 11001 & Above
A14W 11001 & Above



**EQUIPPED WITH
BOBCAT INTERLOCK
CONTROL SYSTEM (BICS™)**

an  Ingersoll Rand business

GENERAL INFORMATION

Before ordering parts, ALWAYS provide dealer with your product model number and complete serial number information. Before ordering parts, verify correct part numbers and/or serial numbers with your dealer. When using the machine serial number, use the complete number.

Some Serial Number breaks are not available at time of printing. These are listed as & Bel or & Abv or - (thru)

The number shown in the quantity column in this manual is the number of parts needed for the illustration on the page. For some parts an "x" will be shown in the quantity column. This "x" indicates that the quantity to be used is "As Needed".

When references L.H. (Left Hand) and R.H. (Right Hand) are used in this manual, it is done from the operator's seat in the forward operating position.

When "See Illustration...." appears in the remarks column, refer to the contents page for the illustration title to find page number location.

Some of the illustrations and information found in this parts manual were supplied to Bobcat by machine component companies.

For additional information on the Bobcat website visit www.bobcat.com

ABBREVIATIONS

SALES = Order from Gwinner Sales Department	W/ = With
NSS = Not Serviced Separately	W/O = Without
NAP = Not Available as Parts	I.D. = Inside Diameter
BTI = Bobcat Technical Information Bulletin	O.D. = Outside Diameter
P/M = Parts Manual	" = Inches
O/M = Operation & Maintenance Manual	' = Feet
S/M = Service Manual	mm = Millimeters
S/L = Service Letter	

DISPOSITION CODE DEFINITIONS

(Found in Remarks Column)

[A] = Use Up
[B] = Use Up on Other Application
[C] = File PDR Report with Bobcat Parts Sales
[D] = Part Number Error

NOTE D'INFORMATION

Pour toute référence au numéro de série de l'engin, toujours donner le numéro complet.

Le chiffré apparaissant dans la colonne des quantités de ce manuel représentent le nombre de pièces nécessaires pour l'illustration reprise sur la page. Dans certains cas, on lira un "x" dans la colonne des quantités. Cet "x" indique que la quantité nécessaire est "selon besoin".

Pour toute référence vers la GAUCHE ou la DROITE dans ce manuel, considérer que la personne se trouve assise dans le siège de l'opérateur, en position de fonctionnement en marche avant.

Certaines illustrations et informations reprises dans ce manuel de pièces de rechange ont été fournies à Bobcat/Ingersoll-Rand par des fabricants de composants.

ABBREVIATIONS & SYMBOLES

SALES	= Commander au Service Ventes à Bruxelles
NSS	= Pas vendu séparément
NAP	= Non disponible comme pièce de rechange
*	= Chapitre, page ou numéro de pièce modifié ou supplémentaire
BTI	= Bobcat Technical Information Bulletin : voir à la fin de la microfiché du modèle concerné ou la microfiche générale reprenant l'ensemble des "BTI".
was 6535403	= était avant 6535403
adj. (adjustment)	= réglage
Assembly	= ensemble
available W/Ref.	= disponible avec réf.
bulk/sold per foot	= en vrac/vendu par pied
does not include	= ne comprend pas
included with	= compris dans
I.D.	= D.I. (diamètre intérieur)
O.D.	= D.E. (diamètre extérieur)
not in kit	= pas en kit
W/ - WO/	= inclus/ - non inclus/
Qty	= quantité requise
see page/ref.	= voir page/réf.
used with ref/	= utilisé avec réf.
0,05 inch thickness	= 0,05 pouce d'épaisseur (un pouce = 25.4 mm)
weld on	= à souder

ALLGEMEINE INFORMATIONEN

Bei Angabe der Maschinen-Seriennummer stets die komplette Nummer angeben.

Bei der in der Mengenspalte (Anzahl) in diesem Handbuch angegebenen Zahl handelt es sich um die Anzahl von Teilen, die für die Abbildung auf der betreffenden Seite benötigt werden. Bei manchen Teilen in der Mengenspalte ist ein "x" angegeben. Dieses "x" weist darauf hin, dass sich die Anzahl der verwendeten Teile auf den "Bedarf" bezieht.

Bei Verwendung der Seitenangaben links und rechts in diesem Handbuch gelten diese für die Blickrichtung vom Fahrersitz aus, und zwar in Vorwärts-Betriebsrichtung.

Einige der in diesem Ersatzteihandbuch aufgeführten Abbildungen und Informationen wurden der Bobcat/Ingersoll-Rand von den Herstellern von Maschinenbauteilen zur Verfügung gestellt.

ABKÜRZUNGEN UND SYMBOLE

SALES	= Bestellung bei der Verkaufsabteilung in Brüssel
NSS	= Nicht einzeln erhältlich
NAP	= Nicht als Ersatzteil erhältlich
*	= Geänderte oder hinzugefügte Abschnitte, Seiten oder Teilenummern
BTI	= Bobcat Technical Information Bulletin : Siehe am Ende der Mikrokarte des jeweiligen Modells oder der allgemeinen Mikrokarte der BTI.
was 6535403	= War 6535403
adj.	= Einstellung
Assembly	= Baugruppe
available W/Ref.	= erhältlich mit der Referenz
bulk/sold per foot	= Mengenabnahme / Verkauf pro Fuss
does not include	= beinhaltet nicht
included with	= enthalten in
I.D.	= Innendurchmesser
O.D.	= Aussendurchmesser
not in kit	= nicht in Bausatz
W/ - WO/	= mit/ - ohne/
Qty	= Anzahl
see page/ref.	= Siehe Seite / Referenz
used with ref.	= verwendet mit Referenz
0.05 inch thickness	= Dicke : 0.05 Zoll (ein Zoll = 25.4 mm)
weld on	= anschweißen

INFORMAZIONI GENERALI

Quando si usa il numero di serie della macchina usare il numero completo.

Il numero mostrato nella colonna della quantità di questo manuale corrisponde al numero di componenti necessari per l'illustrazione della pagina. Per alcuni componenti appare "X" nella colonna delle quantità. Questa "X" indica che la quantità da usare è "come necessario".

See in questo manuale si fa riferimento alla parte destra o sinistra, si intende dal sedile dell'operatore nella posizione in avanti di funzionamento.

Alcune delle illustrazioni e informazioni trovate in questo manuale di componenti sono state fornite alla Bobcat/Ingersoll-Rand da società di componenti di macchine.

SIMBOLI E ABBREVIAZIONI

SALES	= Ordinare al servizio vendite di Bruxelles
NSS	= Non vendute separatamente
NAP	= Non disponibile come componente
*	= Sezioni, pagine o numeri di componente cambiati o aggiunti
BTI	= (Bobcat Technical information) Ved. al termine del microfiche del modello relativo oppure microfiche generale
was 6535403	= era 6535403
adj. (adjustment)	= regol. (regolazione)
Assembly	= Complessivo
available W/Ref.	= disponibile con rif.
bulk/sold per foot	= alla rinfusa/venduto al piede
does not include	= non comprende
Included with	= compreso con
I.D.	= d. i.
O.D.	= d. e.
not in kit	= non fa parte del kit
W/ - WO/	= con - senza
Qty	= Qtà
see page/ref	= ved. pagina/rif.
used with ref.	= usato con il rif.
0,05 inch thickness	= spessore 0,05 pollici (un pollice = 25,4 mm)
weld on	= a saldare

INFORMACION GENERAL

Al utilizar el número de serie de la máquina, debe emplearse el número completo.

El número que figura en la columna de “Unidades” en este manual es el número de piezas que se necesitan para la ilustración que consta en la página. En algunas piezas aparece una “x” en la columna de “Unidades”. Esta “x” indica que las unidades a utilizar son “según sea necesario”.

Cuando se empleen las referencias izq. y dcha., éstas se entienden mirando desde el asiento del conductor, en posición de marcha adelante.

Algunas de las ilustraciones y la información que figuran en este manual de piezas han sido facilitadas a Bobcat/Ingersoll-Rand por empresas de componentes de máquinas.

ABREVIATURAS Y SIMBOLOS

VENTAS	= Pedido al Departamento de Ventas de Bruselas
NSS	= No se vende por separado
NAP	= No disponible como pieza de repuesto
*	= Secciones, páginas o referencias modificadas o añadidas
BTI	= (Bobcat Technical Information) Ver al final de la microficha del modelo afectado o en la microficha general “Boletín de Información Técnica Bobcat”.
was 6535403	= era anteriormente el 6535403
adj. (adjustment)	= ajuste
assembly	= conjunto
available W/Ref.	= disponible con la ref.
bulk/sold per foot	= a granel/vendido por pies
does not include	= no incluye
included with	= incluido en
I.D.	= diámetro interior
O.D.	= diámetro exterior
not in kit	= no en el kit
W/ - WO/	= con/ - sin
Qty	= Unidades
see page /ref.	= ver página/ref.
used with ref.	= empleado con la ref.
0,05 inch thickness	= 0,05 pulgadas de espesor (1 pulgada = 25,4 mm)
weld on	= debe ser soldado

ALGEMENE INFORMATIE

Als u het serienummer van de machine gebruikt, geef dan het gehele serienummer.

Het cijfer dat voorkomt in de kolom "Aantal", in deze handleiding, is het aantal onderdelen dat nodig is van de illustratie op de pagina. Voor sommige onderdelen staat er een "x" in de kolom "Aantal". Deze "x" betekent dat er een aantal "zoals nodig" vereist is.

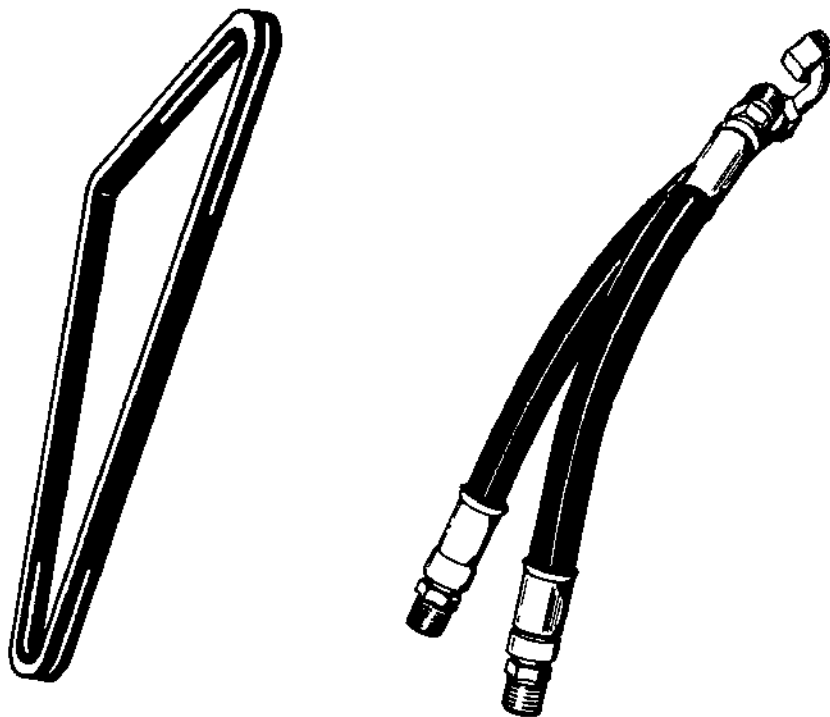
Wanneer er in deze handleiding naar "links" en naar "rechts" gerefereerd wordt, moet dit verstaan worden voor een bestuurder die in de bestuurdersstoel zit in de voorwaartse bedrijfsstand.

Sommige van de illustraties en informatie in deze onderdelen-handleiding werden door firma's van machine-componenten geleverd aan Bobcat/Ingersoll-Rand.

AFKORTINGEN EN SYMBOLEN

SALES	= Bestellen bij de Verkoopafdeling te Brussel
NSS	= Niet afzonderlijk te verkrijgen
NAP	= Niet beschikbaar als onderdeel
*	= Gewijzigde of toegevoegde paragrafen, pagina's of onderdeelnummers
BTI	= Bobcat Technical Information Bulletin : Zie einde van de microfiche van het desbetreffende model of einde van de algemene microfiche die het geheel van alle "BTI" herneemt.
was 6535403	= was vroeger 6535403
adj. (adjustment)	= afstelling
Assembly	= geheel
available W/Ref.	= beschikbaar met ref.
bulk/sold per foot	= bulk/aan de meter verkocht
does not include	= bevat niet
includes with	= is bevat in
I.D.	= ϕ inw. (inwendige diameter)
O.D.	= ϕ uitw. (uitwendige diameter)
not in kit	= niet in de kit
W/ - WO/	= met/ - zonder/
Qty	= vereiste aantal
see page/ref.	= zie pagina/ref.
used with ref/	= gebruikt met ref.
0,05 inch thickness	= 0.05 inch dik (een inch = 25.4 mm)
weld on	= te lassen

**Use only Bobcat belts and hoses
to maintain maximum service life.**



Available from Bobcat Parts.



CONTENTS

MAINTENANCE ITEMS	1-10
MAINTENANCE ITEMS	1
SCHEDULED MAINTENANCE ITEMS	3-10
MAIN FRAME	11-36
MAIN FRAME	11
OPERATOR CAB	13-18
SEAT & SEAT BAR	19
SEAT	21-24
PANELS	25-28
REAR DOOR	29
LIFT ARM & BOB-TACH	31
BOB-TACH	33
FUEL SYSTEM	35
DRIVE TRAIN	37-44
DRIVE TRAIN	37
MOTOR CARRIER	39
DISC BRAKE	41
AXLE	43
HYDRAULIC SYSTEM	45-72
HYDRAULIC CIRCUITRY	45-50
MANUAL LIFT RELEASE SYSTEM	51
AUXILIARY HYDRAULICS	53
TILT CYLINDER	55
LIFT CYLINDER	57
CONTROL PEDALS	59
HYDRAULIC CONTROL VALVE	61-68
MANUAL LIFT RELEASE VALVE	69
BUCKET POSITIONING VALVE	71
HYDROSTATIC SYSTEM	73-120
HYDROSTATIC PUMP/GEAR PUMP	109
GEAR PUMP	111-114
MOTOR	115
HYDROSTATIC OIL FILTER	117-120
HYDROSTATIC CIRCUITRY	73-80
HAND CONTROLS	81-84
HYDROSTATIC MOTOR	85
HYDROSTATIC PUMP	87-108
ELECTRICAL SYSTEM	121-142
CAB ELECTRICAL CIRCUITRY	121
ENGINE ELECTRICAL CIRCUITRY	123-126
CONTROLS ELECTRICAL	127-138
ALTERNATOR	139
STARTER	141
POWER UNIT	143-196
COOLING SYSTEM	143
ENGINE & ATTACHING PARTS	145-154
ENGINE SPEED CONTROL	155-158
ENGINE & GASKET KITS	159
GEARCASE	161
CRANKCASE	163
ROCKER ARM COVER	165
VALVE ROCKER ARM	167

CONTENTS (Cont'd)

POWER UNIT

CYLINDER HEAD	169
OIL PAN	171
PISTON & CRANKSHAFT	173
FUEL CAMSHAFT	175
CAMSHAFT	177
WATER PUMP	179
WATER FLANGE & THERMOSTAT	181
MANIFOLDS	183
ENGINE STOP LEVER	185
GOVERNOR	187
SPEED CONTROL PLATE	189
FUEL & INJECTION PUMP	191
INJECTOR NOZZLES	193
AIR CLEANER	195

ACCESSORIES & OPTIONS 197-328

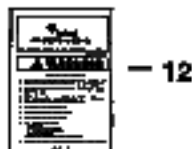
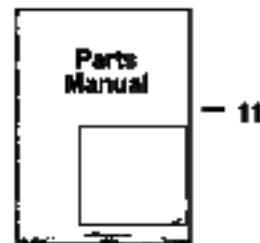
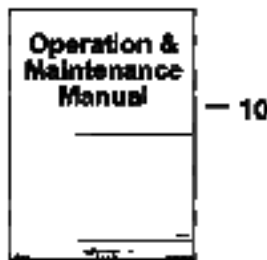
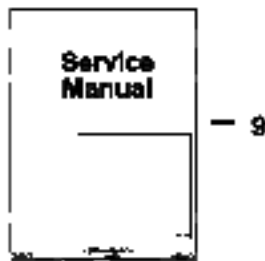
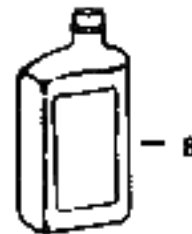
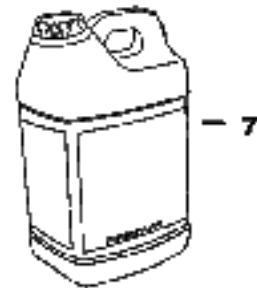
ACCESS COVER	197
ACS CONVERSION KIT	199
AIR DEFLECTOR KIT	201
AXLE SEAL KIT	203
BACK-UP ALARM KIT	205
BEACON	207
BLOCK HEATER	209
BOB-TACH LEVERS	211
BUCKET POSITIONING VALVE KIT	213
CAB DOOR	215-224
CAB ENCLOSURE	225-228
CAB WINDOWS	229-232
COUNTERWEIGHT KIT	233
Counterweight Kit	235
DECALS	237-240
ELECTRICAL CONNECTOR KIT	241
ELECTRICAL CONTROLS KIT	243-248
ENGINE MOUNT KIT	249
EXPORT ACCESSORIES	251-254
FIRE EXTINGUISHER	255
F.O.P.S. KIT	257
FLASHER LIGHTS	259
FRONT AUXILIARY	261
GAS SPRING KIT	263
HEATER & A/C	265-270
HEATER	267-276
HORN KIT	277
LIFT KIT	279-284
LIGHT KIT	285
MUFFLER/PURIFIER KIT	287
POWER BOB-TACH KIT	289
POWER BOB-TACH	291-294
RADIATOR SCREEN KIT	295
REAR AUXILIARY KIT	297
REAR AUXILIARY VALVE	299
REAR DOOR LOCK	301

CONTENTS (Cont'd)

ACCESSORIES & OPTIONS

REAR WIPER	303
SEAL ENCLOSURE KIT	305
SEAT BELT	307-312
SOUND KIT	313
SOUND OPTION	315-318
SOUND REDUCTION HARDHAT	319
STROBE LIGHT	321
TIRES & RIMS	323-326
BULK ITEMS	327
NUMERICAL INDEX	330-372

MAINTENANCE ITEMS

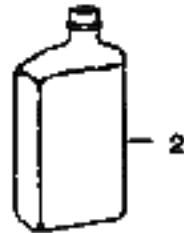


B-22668

MAINTENANCE ITEMS (Cont'd)

Ref No	Part Number	Description	Remarks	Serial Number	Qty
1	6675517	FILTER	See Illustration GEARCASE/ B22675		x
2	6667352	FILTER FUEL	See Illustration FUEL SYSTEM/ PE2350 FUEL		x
3	6598362	ELEMENT	See Illustration AIR CLEANER/ MS2186 INNER AIR CLEANER		x
4	6598492	ELEMENT	See Illustration AIR CLEANER/ MS2186 OUTER AIR CLEANER		x
5	6661248	ELEMENT	See Illustration HYDROSTATIC OIL FILTER/ B16487 HYDROSTATIC # 3 MEDIA		x
6	6674687	BATTERY			x
7	6903117	HYD FLUID 2.5 GAL. 2	See Illustration BULK ITEMS/ B16462R		x
7	6903118	HYD. FLUID 5GAL	See Illustration BULK ITEMS/ B16462R		x
7	6903119	HYD. FLUID 55GAL	See Illustration BULK ITEMS/ B16462R		x
8	6903107	OIL 10W30 QT. 12	See Illustration BULK ITEMS/ B16462R		x
8	6903108	OIL 10W30 GAL. 6	See Illustration BULK ITEMS/ B16462R		x
8	6903112	OIL 10W30 2.5 GAL 2	See Illustration BULK ITEMS/ B16462R		x
8	6903105	OIL 15W40 QT. 12	See Illustration BULK ITEMS/ B16462R		x
8	6903106	OIL 15W40 GAL. 6	See Illustration BULK ITEMS/ B16462R		x
8	6903113	OIL 15W40 2.5 GAL. 2	See Illustration BULK ITEMS/ B16462R		x
8	6903109	OIL 30W QT. 12	See Illustration BULK ITEMS/ B16462R		x
8	6903110	OIL 30W GAL. 6	See Illustration BULK ITEMS/ B16462R		x
8	6903111	OIL 30W 2.5 GAL 2	See Illustration BULK ITEMS/ B16462R		x
9	6904121	S/M S130 "K"	service		1
10	6904119	O/M S130 "K"	operation & maintenance		1
11	6904268	P/M S130K	parts		1
12	6737783	KIT	See Illustration DECALS/ B26105 Operator Handbook [A]		1

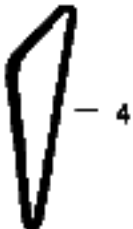
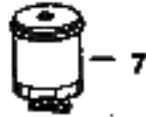
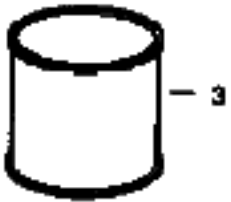
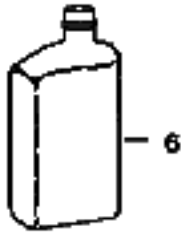
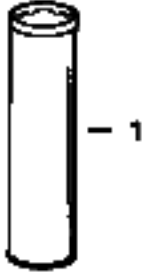
SCHEDULED MAINTENANCE ITEMS (50 HOUR)



B-22774

SCHEDULED MAINTENANCE ITEMS (Cont'd)
(50 HOUR)

Ref No	Part Number	Description	Remarks	Serial Number	Qty
1	6675517	FILTER	See Illustration GEARCASE/ B22675		x
2	6903107	OIL 10W30 QT. 12	See Illustration BULK ITEMS/ B16462R		x
2	6903108	OIL 10W30 GAL. 6	See Illustration BULK ITEMS/ B16462R		x
2	6903112	OIL 10W30 2.5 GAL 2	See Illustration BULK ITEMS/ B16462R		x
2	6903105	OIL 15W40 QT. 12	See Illustration BULK ITEMS/ B16462R		x
2	6903106	OIL 15W40 GAL. 6	See Illustration BULK ITEMS/ B16462R		x
2	6903113	OIL 15W40 2.5 GAL. 2	See Illustration BULK ITEMS/ B16462R		x
2	6903109	OIL 30W QT. 12	See Illustration BULK ITEMS/ B16462R		x
2	6903110	OIL 30W GAL. 6	See Illustration BULK ITEMS/ B16462R		x
2	6903111	OIL 30W 2.5 GAL 2	See Illustration BULK ITEMS/ B16462R		x



B-22775

Ref No	Part Number	Description	Remarks	Serial Number	Qty
1	6903122	GREASE 10	See Illustration BULK ITEMS/ B16462R		x
2	6736775	BELT	See Illustration ENGINE & ATTACHING PARTS/ E2288R ENG./HYDRO. DRIVE		x
3	6903121	GEAR LUBE 12	See Illustration BULK ITEMS/ B16462R		x
4	7100572	BELT	ALTERNATOR		x
5	6675517	FILTER	See Illustration GEARCASE/ B22675		x
6	6903107	OIL 10W30 QT. 12	See Illustration BULK ITEMS/ B16462R		x
6	6903108	OIL 10W30 GAL. 6	See Illustration BULK ITEMS/ B16462R		x
6	6903112	OIL 10W30 2.5 GAL 2	See Illustration BULK ITEMS/ B16462R		x
6	6903105	OIL 15W40 QT. 12	See Illustration BULK ITEMS/ B16462R		x
6	6903106	OIL 15W40 GAL. 6	See Illustration BULK ITEMS/ B16462R		x
6	6903113	OIL 15W40 2.5 GAL. 2	See Illustration BULK ITEMS/ B16462R		x
6	6903109	OIL 30W QT. 12	See Illustration BULK ITEMS/ B16462R		x
6	6903110	OIL 30W GAL. 6	See Illustration BULK ITEMS/ B16462R		x
6	6903111	OIL 30W 2.5 GAL 2	See Illustration BULK ITEMS/ B16462R		x
7	6667352	FILTER FUEL	See Illustration FUEL SYSTEM/ PE2350 FUEL		x

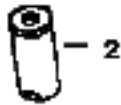
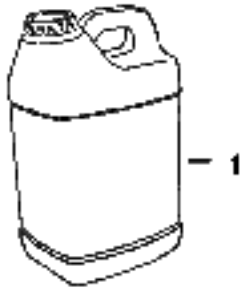
SCHEDULED MAINTENANCE ITEMS (500 HOUR)



B-22778

Ref No	Part Number	Description	Remarks	Serial Number	Qty
1	6728149	CAP	See Illustration HYDROSTATIC CIRCUITRY/ HYD. RESERVOIR BREATHER		x
2	6661248	ELEMENT	See Illustration HYDROSTATIC OIL FILTER/ HYD./HYDRO.		x

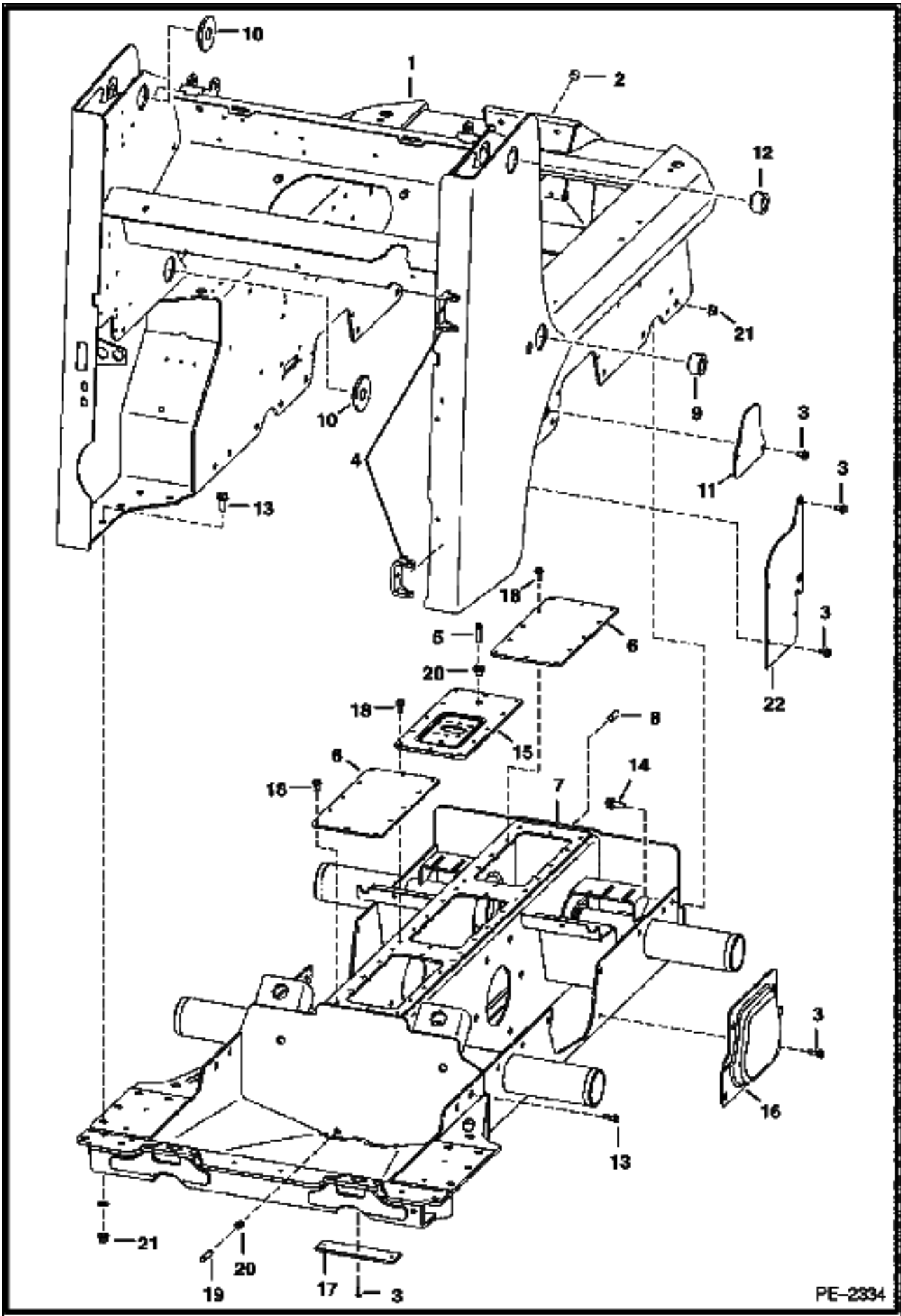
SCHEDULED MAINTENANCE ITEMS (1000 HOUR)



B-22777

Ref No	Part Number	Description	Remarks	Serial Number	Qty
1	6903117	HYD FLUID 2.5 GAL. 2	See Illustration BULK ITEMS/ B16462R		x
1	6903118	HYD. FLUID 5GAL	See Illustration BULK ITEMS/ B16462R		x
1	6903119	HYD. FLUID 55GAL	See Illustration BULK ITEMS/ B16462R		x
2	6661022	FILTER	See Illustration HYDROSTATIC OIL FILTER/ B13527 CASE DRAIN		x

MAIN FRAME

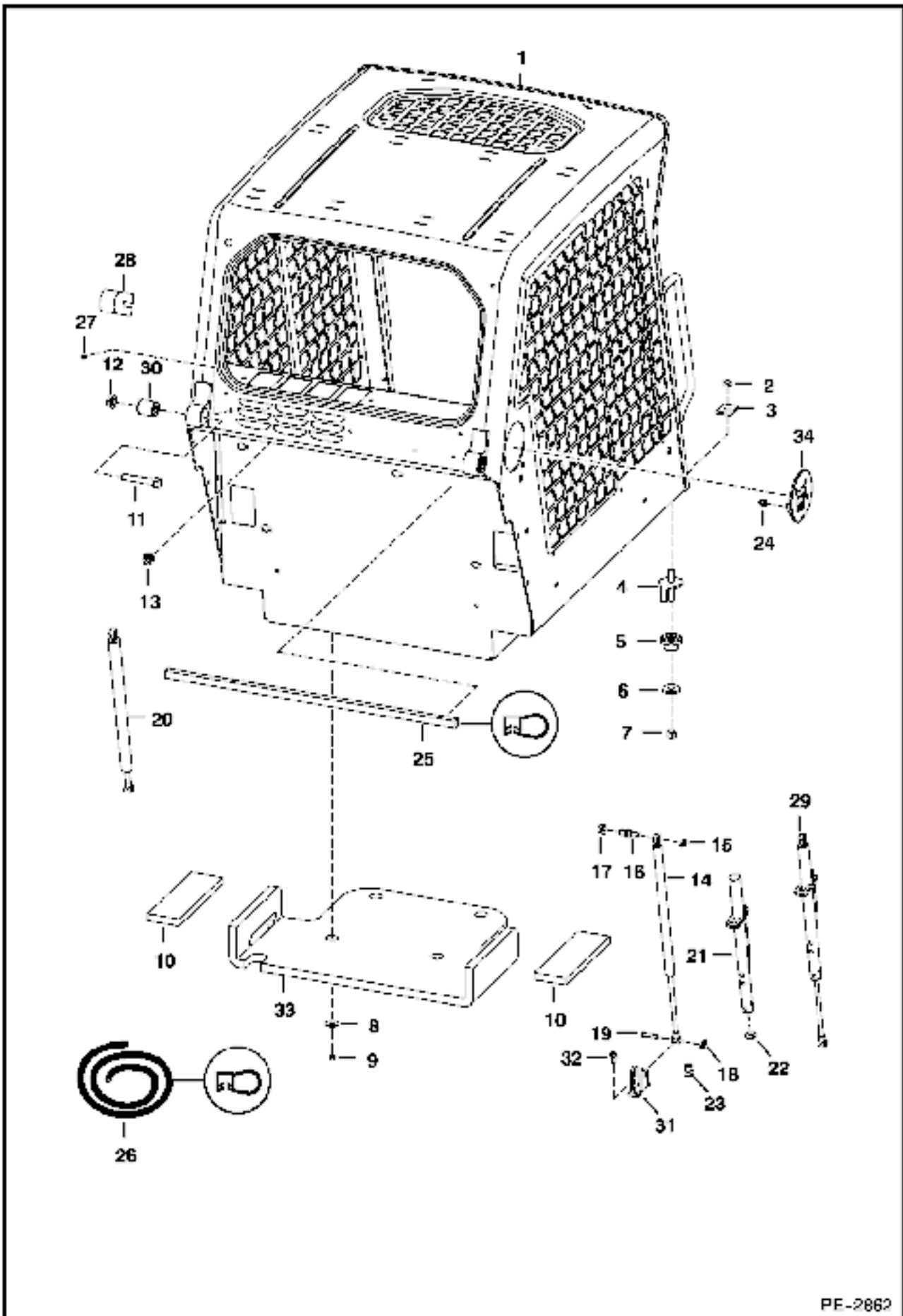


PE-2334

MAIN FRAME (Cont'd)

Ref No	Part Number	Description	Remarks	Serial Number	Qty
1	7108034	MAIN FRAME			1
2	6718796	PLUG			1
3	84G003712B	BOLT			20
4	6708987	HINGE	hinge - bottom & top - weld on		2
5	6680970	BREATHER	See Illustration DISC BRAKE/ PE2278		1
6	6733956	COVER	See Illustration DISC BRAKE/ PE2278		2
7	7117344	CHAINCASE	See Illustration FUEL SYSTEM/ PE2350		1
8	6731121	PLUG	chaincase fill		1
9	6702584	BUSHING	weld on		4
10	6702583	BUSHING	weld on		4
11	6735344	SHIELD			2
12	6731578	BUSHING	weld on		2
13	31C000824B	BOLT			12
14	31C000820B	BOLT			28
15	6735612	CHAINCASE COVER	See Illustration DISC BRAKE/ PE2278		1
16	6733701	COVER			2
17	6700182	COVER			1
18	84G003716B	BOLT			36
19	6599645	PLUG	chaincase drain		1
20	6553411	BUSHING			2
21	83D000008B	NUT			28
22	7110380	SHIELD, RH	R.H.		2
22	7110386	SHIELD, LH	L.H.		1

OPERATOR CAB

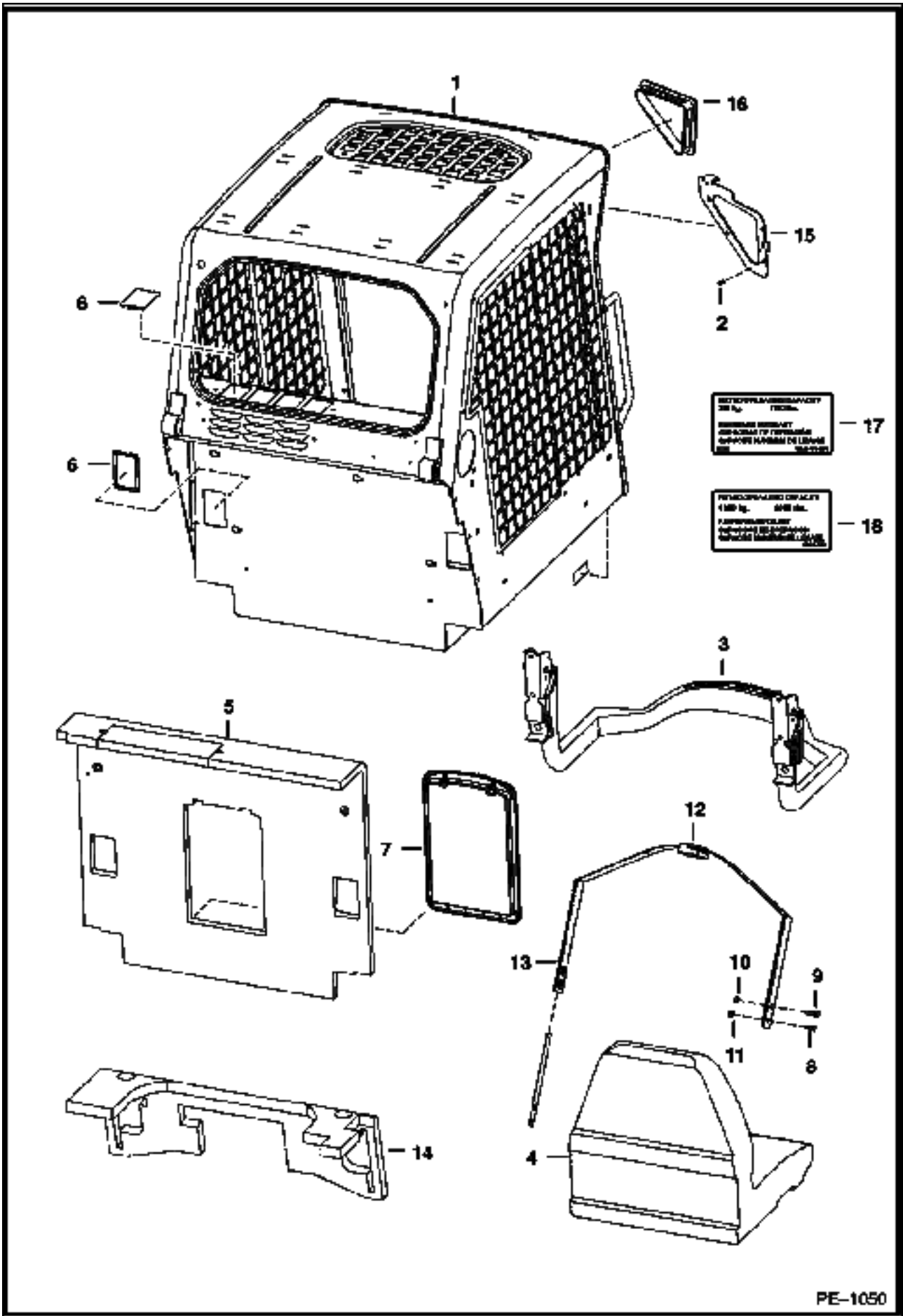


PE-2862

OPERATOR CAB (Cont'd)

Ref No	Part Number	Description	Remarks	Serial Number	Qty
1	6719672	OPERATOR CAB	Does not include cab decals		1
2	59D000008B	NUT			2
3	6553709	WASHER	rectangular		2
4	6702971	BOLT			2
5	6560633	DAMPENER			2
6	6515817	WASHER			2
7	85D000008B	NUT			2
8	619021B	WASHER			4
9	59D000005B	NUT			4
10	6729012	INSULATION	seat pan		2
11	17C001056B	BOLT			2
12	53D000010B	NUT			2
13	53D000006B	NUT			4
14	7100506	GAS SPRING	R.H.		1
15	6675140	SNAP RING			2
16	6719064	MOUNT			2
17	95D000008B	NUT			2
18	6631418	PIN	ring		2
19	6567743	PIN			2
20	7100508	GAS SPRING	L.H.		1
20	6675136	GAS SPRING	L.H. - heavy duty		1
21	6708189	TUBE	stop - R.H.		1
22	6701174	WASHER			1
23	6675257	CLEVIS			1
24	6679990	CLIP			2
25	6733121	SEAL(31"STRIP)	31"(787,4 mm) long of Ref. 26		1
26	6679994	SEAL	bulk - sold per foot		x
27	6675033	INSERT	filter cover		2
28	6579613	STOP			2
29		GAS SPRING	NSS - R.H. - W/latch - Order Ref. 14 & 21-23		1
30	6562602	BUSHING			2
31	6706349	MOUNT	gas spring		2
32	84G003112B	BOLT			4
33	6729013	INSULATION	seat pan		1
34	6733107	PLUG ASSY	W/ Bobcat head - W/Ref. 24		2

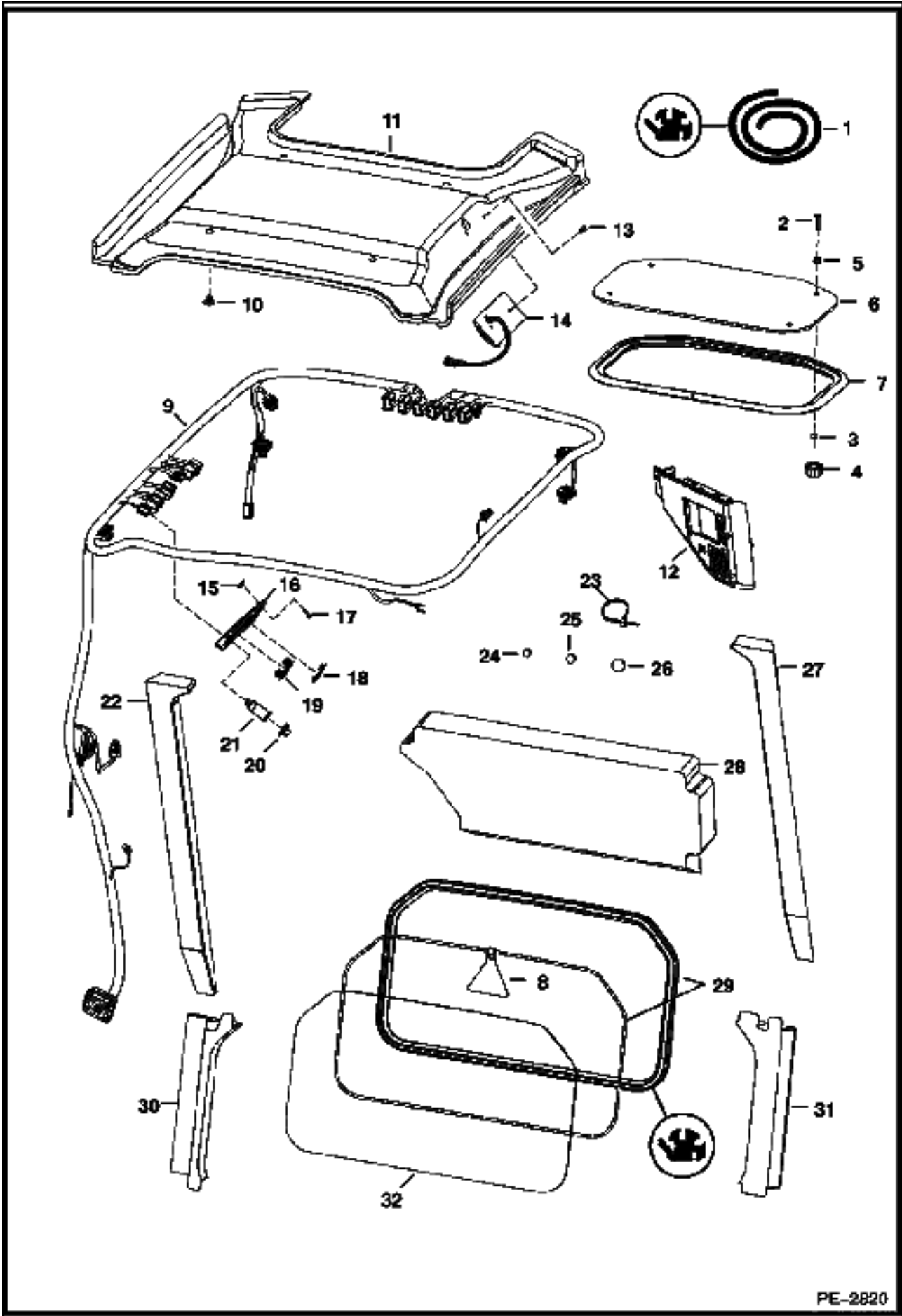
OPERATOR CAB



OPERATOR CAB (Cont'd)

Ref No	Part Number	Description	Remarks	Serial Number	Qty
1	6719672	OPERATOR CAB	Does not include cab decals		1
2	6675033	INSERT			6
3		SEAT BAR	See Illustration SEAT & SEAT BAR/ PE1051		1
4		SEAT	See Illustration SEAT/ B16411		1
5	6719504	INSULATION	W/Ref. 7		1
6	6718101	COVER			6
7		CONTAINER	NAP - manuals - Was 6719503 [A]		1
7	6675524	CLIP			2
7	6725301	COVER			1
7	6725303	FRAME			1
8	17C000612B	BOLT			2
9	17C000716B	BOLT			2
10	85D000007B	NUT			2
11	85D000006B	NUT			2
12	6675074	SEAT BELT			1
13	6565355	GUIDE			1
13	6630207	RIVET			2
13	6725373	SPRING PLATE			2
14	6718489	INSULATION	steering panel		1
15		PLATE	NSS - R.H. - weld on		1
15		PLATE	NSS - L.H. - weld on		1
16	6674403	COVER	no lights		2
17	6804790	DECAL	capacity		1
18	6804790	DECAL			1

**OPERATOR CAB
(Deluxe)**

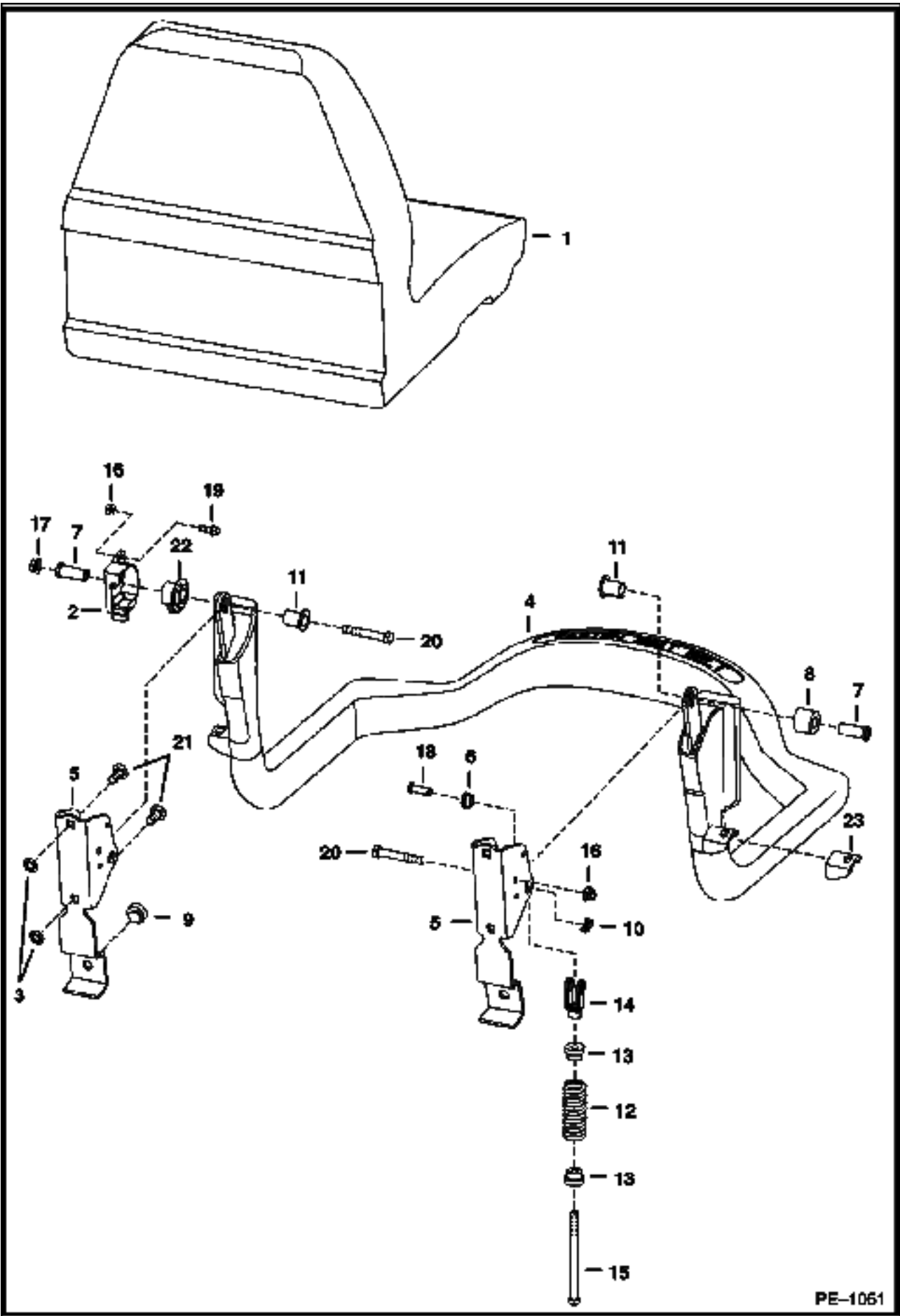


PE-2820

OPERATOR CAB (Cont'd) (Deluxe)

Ref No	Part Number	Description	Remarks	Serial Number	Qty
1	6675387	EXTRUSION	bulk - Sold Per Foot		x
1	6554149	CORD	bulk - Sold Per Foot		x
2	91G000420B	BOLT			4
3	6664085	BUSHING	nylon		4
4	6681614	KNOB	11/16" deep thread		4
5	6675545	GROMMET			4
6	7105035	WINDOW	assy. - W/ Ref. 2, 3, 5 & 7		1
7		SEAL	NAP - Order Ref. 6		1
8	6731478	EXIT TAG			1
9	7116260	HARNESS	deluxe - required to operate beacon, 4-way flashers, power bob-tach & strobe lights		1
9	7116261	HARNESS	standard		1
10	6674895	RETAINER	snap in		4
11	6737704	INSULATION	headliner		1
12	6688403	PANEL	R.H. - deluxe - keyless - export		1
13	6664221	RETAINER	snap in		2
14	6680326	LIGHT	dome		1
14	6665367	BULB			1
15	6669091	CLIP			4
16	6718580	PANEL			1
17	6669224	BOLT			4
18	6665314	PLUG	switch		5
19	6668742	SWITCH	travel control - export		1
20	6664224	CAP			1
21	6664223	OUTLET			1
22	6717519	INSULATION			1
23	6610510	TIE			6
24	5289686B	PLUG	black - .375" hole		1
25	6649949	PLUG	.5" hole		2
26	6657719	PLUG	.75" hole		1
27	6717520	INSULATION			1
28	6727299	INSULATION	cab back		1
29		EXTRUSION	NAP - 75.75" (1924mm) long - Order Ref. 1		x
29		CORD	NAP - 75.75" (1924mm) long - Order Ref. 1		x
30	6717517	INSULATION			1
31	6717518	INSULATION			1
32	6717874	WINDOW	rear		1

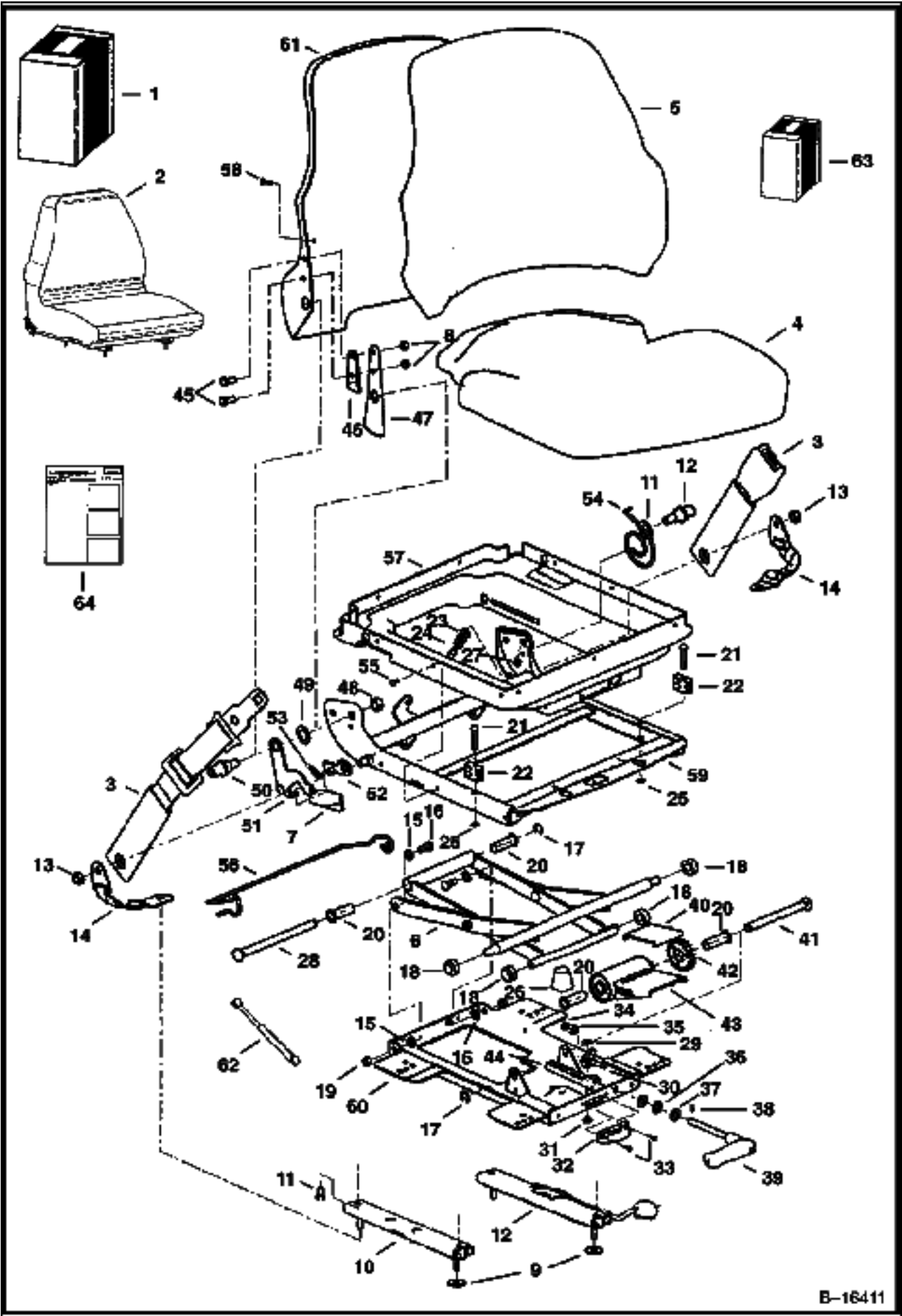
SEAT & SEAT BAR



PE-1051

SEAT & SEAT BAR (Cont'd)

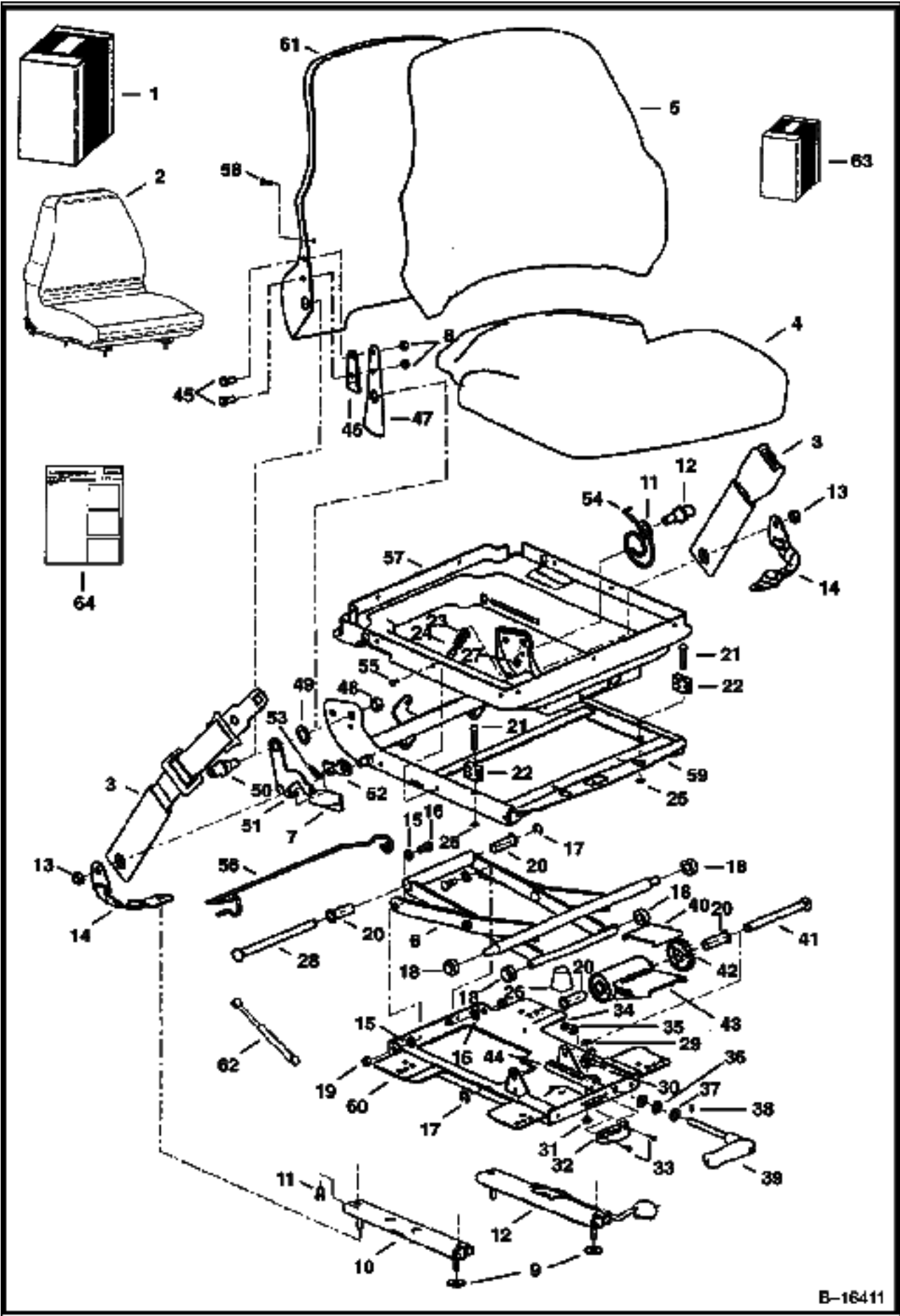
Ref No	Part Number	Description	Remarks	Serial Number	Qty
1		SEAT	See Illustration SEAT/ B16411		1
2	6680429	SENSOR			1
3	6684033	NUT			4
4	6715860	SEAT BAR			1
5	6715863	BRACKET			1
6	6715864	BUSHING			2
7	6715865	BUSHING			2
8	6715866	BUSHING			1
9	6519178	BUMPER			2
10	6631418	PIN	ring		2
11	6680441	BUSHING	keyed		2
12	6701535	SPRING			2
13	6710659	BUSHING			2
14	6713589	CLEVIS			2
15	6713887	BOLT			2
16	83D000004B	NUT			1
17	53D000006B	NUT			2
18	4F006106B	PIN			2
19	35C000412B	BOLT			1
20	17C000640B	BOLT			2
21	10C000616B	BOLT			4
22	6680443	BUSHING			1
23		MOUNT	NAP - Order Ref. 4		1



B-16411

SEAT (Cont'd) (Suspension - Sears)

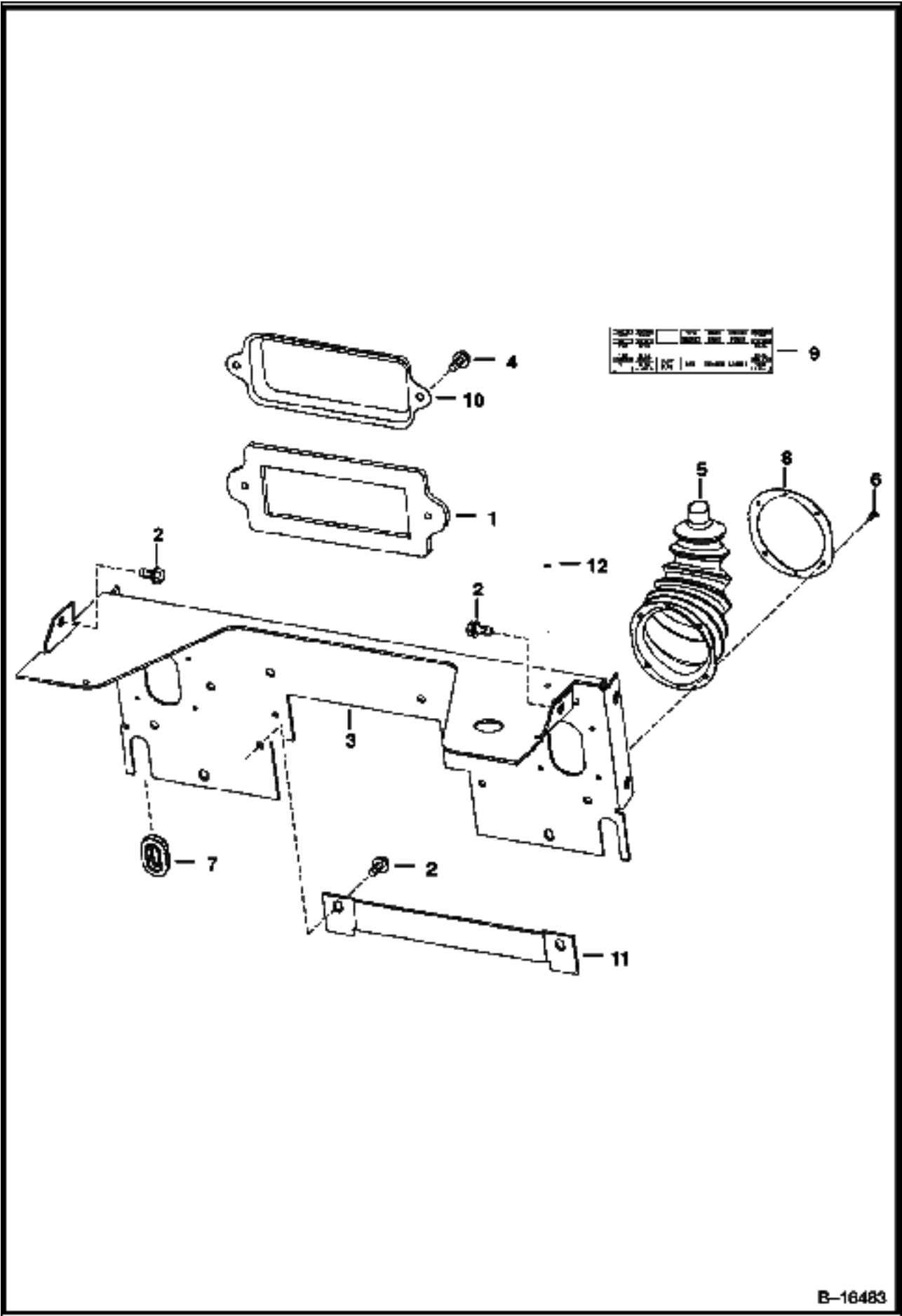
Ref No	Part Number	Description	Remarks	Serial Number	Qty
1		KIT	NAP - vinyl seat - Order Ref. 2, 3 & 64		1
1		KIT	NAP - fabric seat - Order Ref. 2, 3 & 64		1
2	6675595	SEAT	vinyl - W/L.H. recliner lever -		1
2	6675596	SEAT	fabric - W/L.H. recliner lever		1
3	6675170	SEAT BELT	lap		1
4	6675320	SEAT	seat - fabric		1
4	6675322	SEAT	seat - vinyl		1
5	6675319	SEAT	backrest - fabric - W/Ref. 58		1
5	6675321	SEAT	backrest - vinyl - W/Ref. 58		1
6	6675317	SCISSORS			1
7	6675323	KNOB	recliner		1
8		NUT	NSS		6
9	619021B	WASHER			4
10		SLIDE	NSS - slave		1
11		BOLT	NSS		4
12		SLIDE	NSS - locking		1
13		NUT	NSS		2
14		BELT	NSS - tether		2
15		WASHER	NSS - cross pivot		4
16		BOLT	NSS - pivot		2
17		RING	NSS - retaining		2
18		ROLLER	NSS		4
19		NUT	NSS		2
20		BUSHING	NSS - wt adjustment		4
21		RIVET	NSS		2
22		BLOCK	NSS - up stop		2
23		WASHER	NSS		3
24		STOP	NSS - armrest		1
25		PUSHNUT	NSS		2
26		BUMPER	NSS		1
27		NUT	NSS		1
28		SHAFT	NSS - bearing		1
29		RIVET	NSS - female snap		1
30		INDICATOR	NSS - weight		1
31		RIVET	NSS - male snap		1
32		DIAL	NSS - weight indicator		1
33		POP RIVET	NSS		2
34		SPACER	NSS		1
35		NUT	NSS		1
36		BEARING	NSS - thrust		1
37		RACE	NSS - thrust		2
38		SHEAR PIN	NSS		1
39		HANDLE	NSS - weight adjustment		1
40		PLATE	NSS - wear		1
41		SHAFT	NSS - torsion		1
42		DRIVE GEAR	NSS		1
43		BUSHING	NSS - torsion		1
44		RACK	NSS - wt adjustment		1
45		BOLT	NSS		2
46		SPACER	NSS - recliner		1
47		BRACKET	NSS - back tilt		1
48		NUT	NSS		2
49		WASHER	NSS - plastic		2
50		BOSS	NSS - back pan pivot		2



B-16411

SEAT (Cont'd)
(Suspension - Sears)

Ref No	Part Number	Description	Remarks	Serial Number	Qty
51		HANDLE	NSS - recliner (RH)		1
52		LATCH	NSS - recliner		1
53		SPRING	NSS - extension		1
54		SPRING	NSS - tilt latch		1
55		CLIP	NSS		6
56		WIRE	NSS - boot support		1
57		SUSPENSION	NSS - boot		1
58		SCREW	NSS		2
59		HOUSING	NSS - upper		1
60		HOUSING	NSS - lower		1
61		BACK PAN	NSS		1
62	6676338	GAS SPRING			1
63	6675309	KIT	slides - W/Ref. 8 - 12		1
63	6675310	KIT	tether belt - W/Ref. 9, 13 & 14		1
63	6675311	KIT	suspension rollers & bearings - W/Ref. 15 - 20		1
63	6675312	KIT	suspension bumpers & stops - W/Ref. 21 - 27		1
63	6675313	KIT	rear tube - W/Ref. 17, 20 & 28		1
63	6675314	KIT	weight adj. indicator - W/Ref. 29 - 33		1
63	6675315	KIT	weight adj. handle - W/Ref. 34 - 39		1
63	6675316	KIT	weight adj. - W/Ref. 17, 20 & 40 - 44		1
63	6675318	KIT	R.H. recliner - W/Ref. 7, 8 & 45 - 54		1
63	6676034	KIT	L.H. recliner - W/Ref. 7, 8 & 45 - 54		1
63	6675308	KIT	susp. boot - W/Ref. 55 - 57		1
64	6900861	INSTRUCTIONS			1

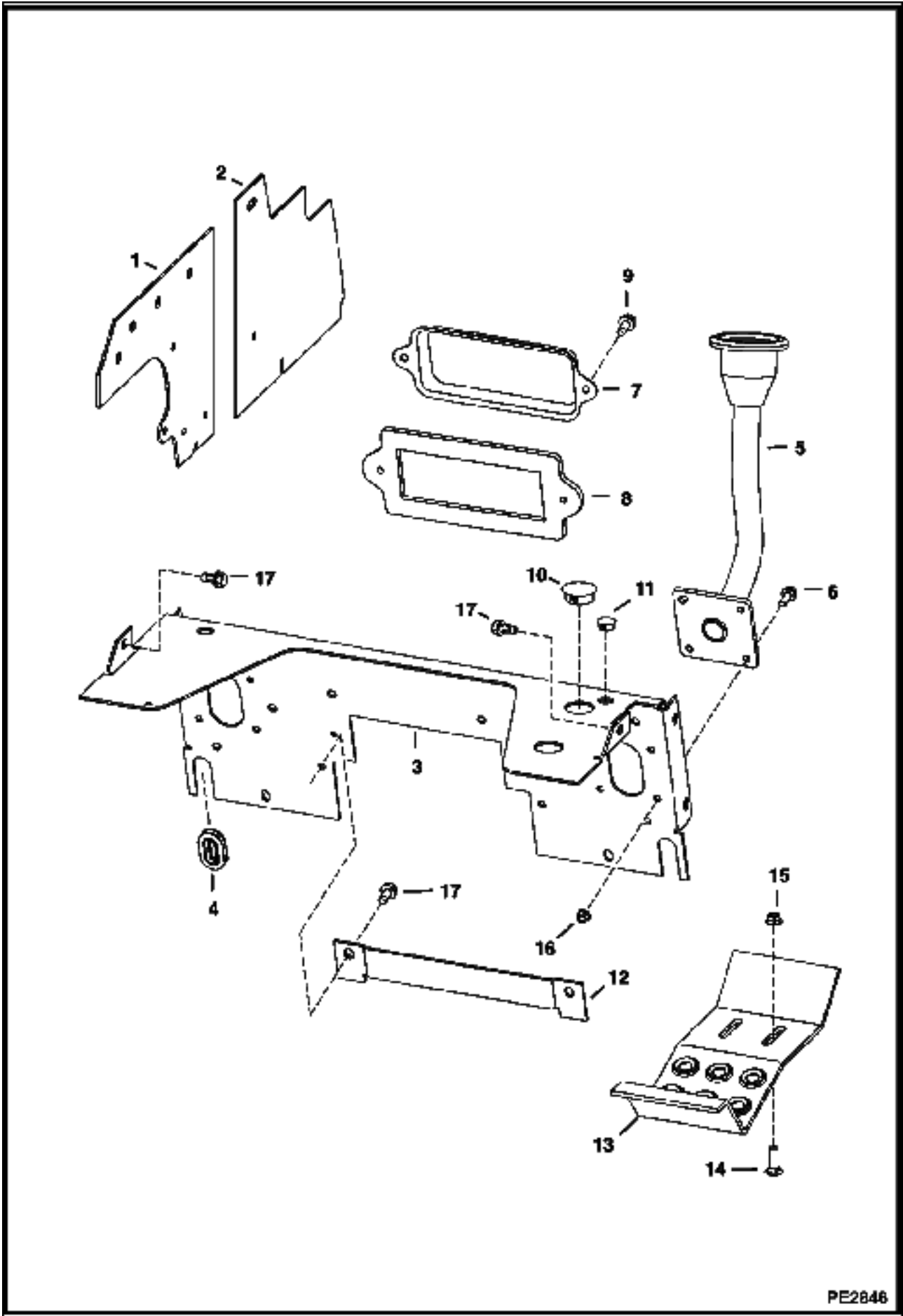


B-16483

PANELS (Cont'd)
(Manual Hand Controls)

Ref No	Part Number	Description	Remarks	Serial Number	Qty
1	6725302	GASKET			1
2	84G003712B	BOLT			16
3	7106687	SHIELD			1
4	84G003112B	BOLT			2
5	6532127	BOOT	W/Ref. 8		2
6	6630207	RIVET			12
7	6577961	GROMMET			2
8		PLATE	NAP - Order Ref. 5		2
9	7117407	DECAL	fuse/relay - 2" x 7" (50,8 mm x 177,8 mm)		1
10	6716621	COVER	fuse/relay		1
11	7101189	COVER			1
12	6648348	PLUG	.812" (20,62 mm) dia. hole		2

PANELS
(Selectable Joystick Controls)

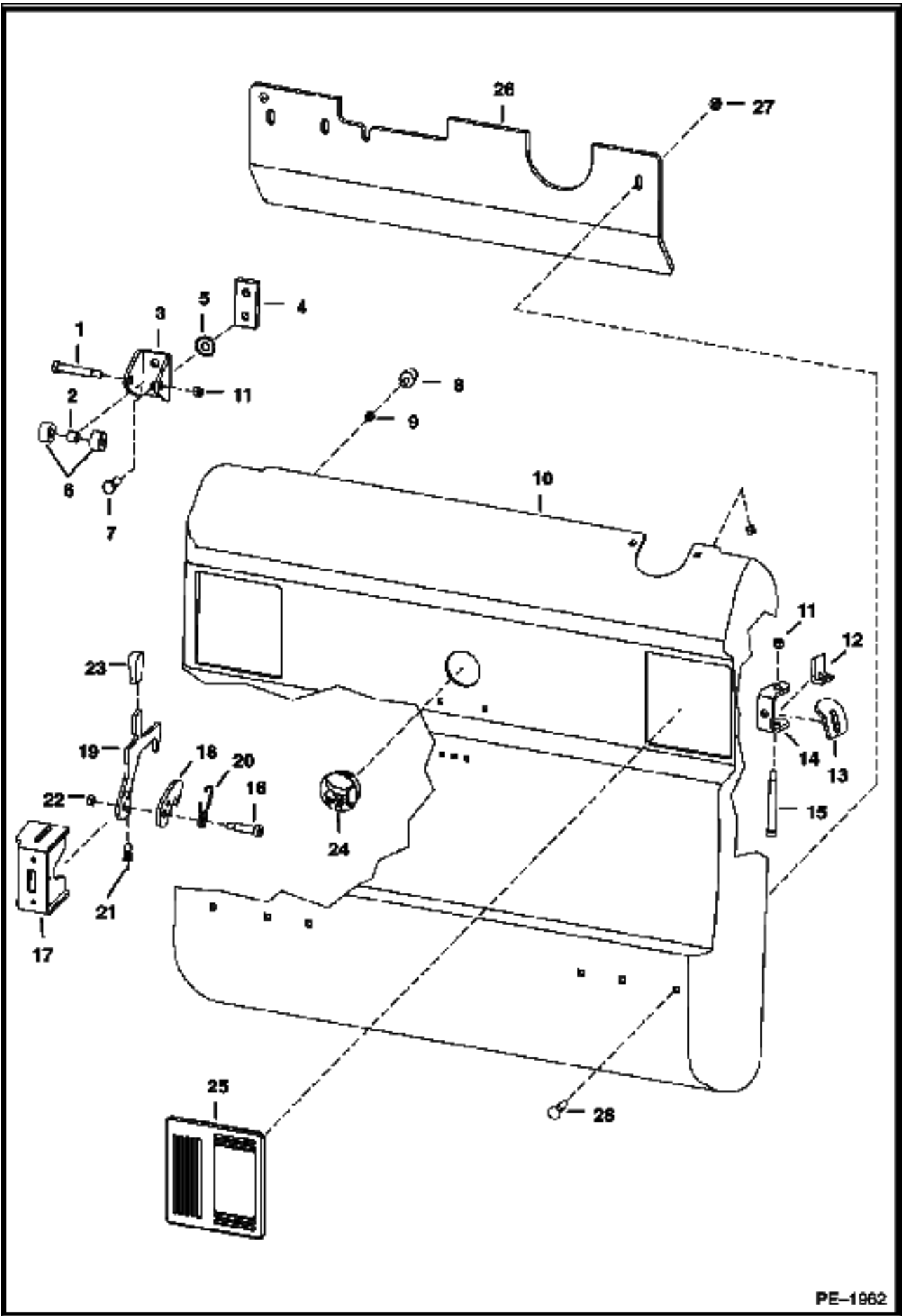


PE2846

PANELS (Cont'd)
(Selectable Joystick Controls)

Ref No	Part Number	Description	Remarks	Serial Number	Qty
1	7117232	PANEL	side rear		2
2	7117123	PANEL	side front		2
3	7106687	SHIELD			1
4	6577961	GROMMET			2
5		HANDLE	See Illustration CONTROLS ELECTRICAL/ PE2681 - NAP - joystick - R.H. - Order 7111992 joystick assembly - Was 6729791 [A]		1
5		HANDLE	See Illustration CONTROLS ELECTRICAL/ PE2681 - NAP - joystick - L.H. - Order 7111993 joystick assembly - Was 6729792 [A]		1
6	35C000512B	BOLT			8
7	6716621	COVER	fuse/relay		1
8	6725302	GASKET			1
9	84G003112B	BOLT			2
10	6681469	PLUG			1
11	6648348	PLUG			2
12	6717890	COVER			1
13	6712365	PLATE			2
14	37C000620B	BOLT			4
15	57D000006B	NUT			4
16	89D000005B	NUT			8
17	84G003712B	BOLT			26

REAR DOOR

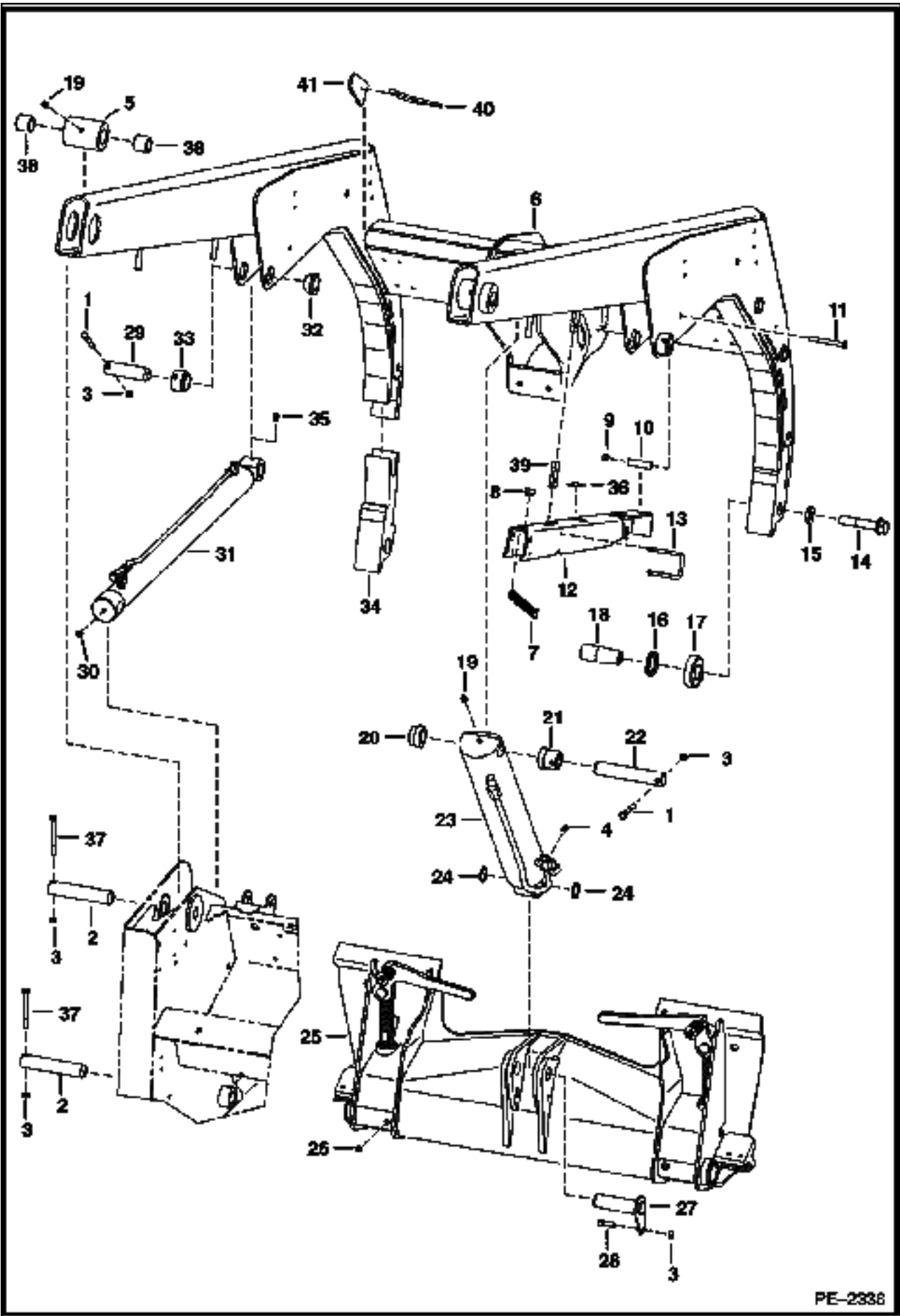


PE-1962

REAR DOOR (Cont'd)

Ref No	Part Number	Description	Remarks	Serial Number	Qty
1	38C000840B	BOLT	carriage		1
2	6809734	BUSHING			1
3	6809727	CHANNEL			1
4	6719525	BAR	threaded striker		1
5	6675273	WASHER	lock		2
6	6809726	ROLLER			2
7	17C000820B	BOLT			2
8	6733616	BUMPER	tapered		2
9	61D000005B	NUT			4
10	6729991	REAR DOOR			1
11	59D000006B	NUT			3
12	6719766	STOP			1
13	6714126	DOOR STOP			2
14	6733575	HINGE	weld on		2
15	6809845	BOLT			2
16	38C000824B	BOLT			1
17	6729939	LATCH PLATE	weld on		1
18	6733667	LATCH			1
19	6732715	LATCH			1
20	6810132	SPRING			1
21	6810141	SPRING			1
22	85D000006B	NUT			1
23	6564452	GRIP			1
24	6718796	PLUG			1
25	6670287	COVER			2
26	6725256	COUNTERWEIGHT			3
27	57D000006B	NUT			3
28	37C000632B	BOLT			3

LIFT ARM & BOB-TACH

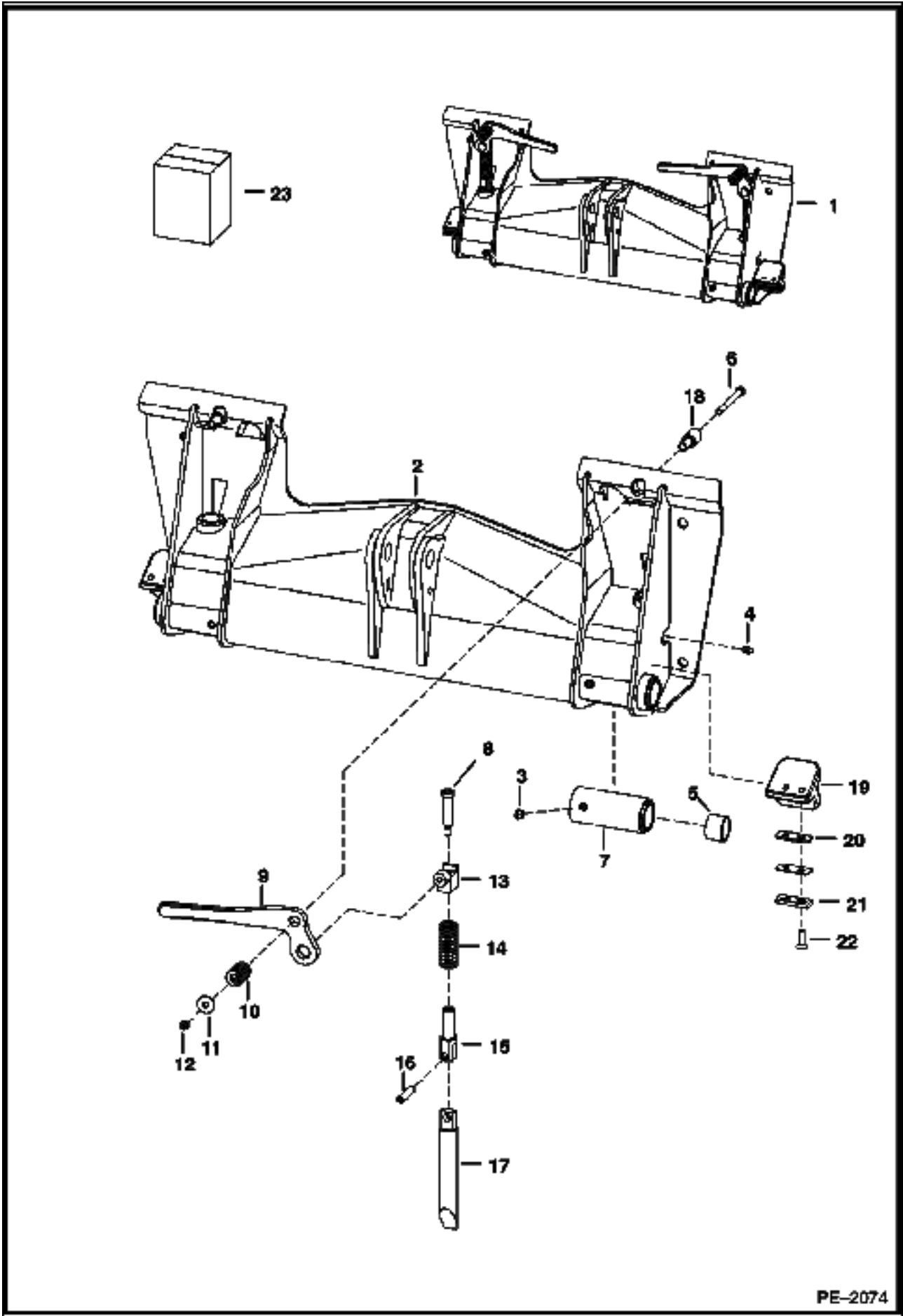


PE-2338

LIFT ARM & BOB-TACH (Cont'd)

Ref No	Part Number	Description	Remarks	Serial Number	Qty
1	17C000640B	BOLT			3
2	6717560	PIN			4
3	85D000006B	NUT			8
4	10H000035B	GREASE ZERK			1
5	6732265	BUSHING	Weld On		2
6	6737134	LIFT ARM	1.50" (38,1 mm) dia. Bob-Tach pins		1
7	6579072	SPRING			1
8	6519178	BUMPER	rubber		1
9	61D000006B	NUT			1
10	6700533	SPACER			1
11	17C000656B	BOLT			1
12	6737274	LIFT ARM STOP			1
13	6714810	PIN	retainer		1
14	47C001064B	BOLT			2
15	6718723	WASHER			2
16	6651709	SEAL			2
17	6700463	CUP	seal		2
18	7101078	PIN	W/.625 in. threaded hole		2
19	10H000025B	GREASE ZERK			3
20	6703363	BUSHING	Weld On - Also Order Ref. 22		1
21	6737623	BUSHING	Weld On - Also Order Ref. 22		1
22	6704288	PIN	1.25 in. (31,8 mm) dia. - 7 in. (177,8 mm) long		1
23		CYLINDER	See Illustration TILT CYLINDER/ TS1098 TILT		1
24	225855B	SEAL			2
25		BOB-TACH	See Illustration BOB-TACH/ PE2074		1
26	743332B	GREASE ZERK			2
27	6716601	PIN			1
28	17C000624B	BOLT	Was 17C-620 [B]		1
29	6718789	PIN			2
30	11H000015B	GREASE ZERK			2
31		CYLINDER	See Illustration LIFT CYLINDER/ TS1097 LIFT		2
32	6703616	BUSHING	Weld On		2
33	6555987	BUSHING	Weld On		2
34		ARM	NAP - R.H. - Weld On		1
34		ARM	NAP - L.H. - Weld On		1
35	12H000015B	GREASE ZERK			2
36	6704436	PAD	foam - self adhesive		1
37	17C000660B	BOLT			4
38	6717562	BUSHING	wear		4
39	6705091	TAB	weld on		1
40	6727545	PLATE	weld on		2
41	6727544	PLATE	weld on		2

BOB-TACH

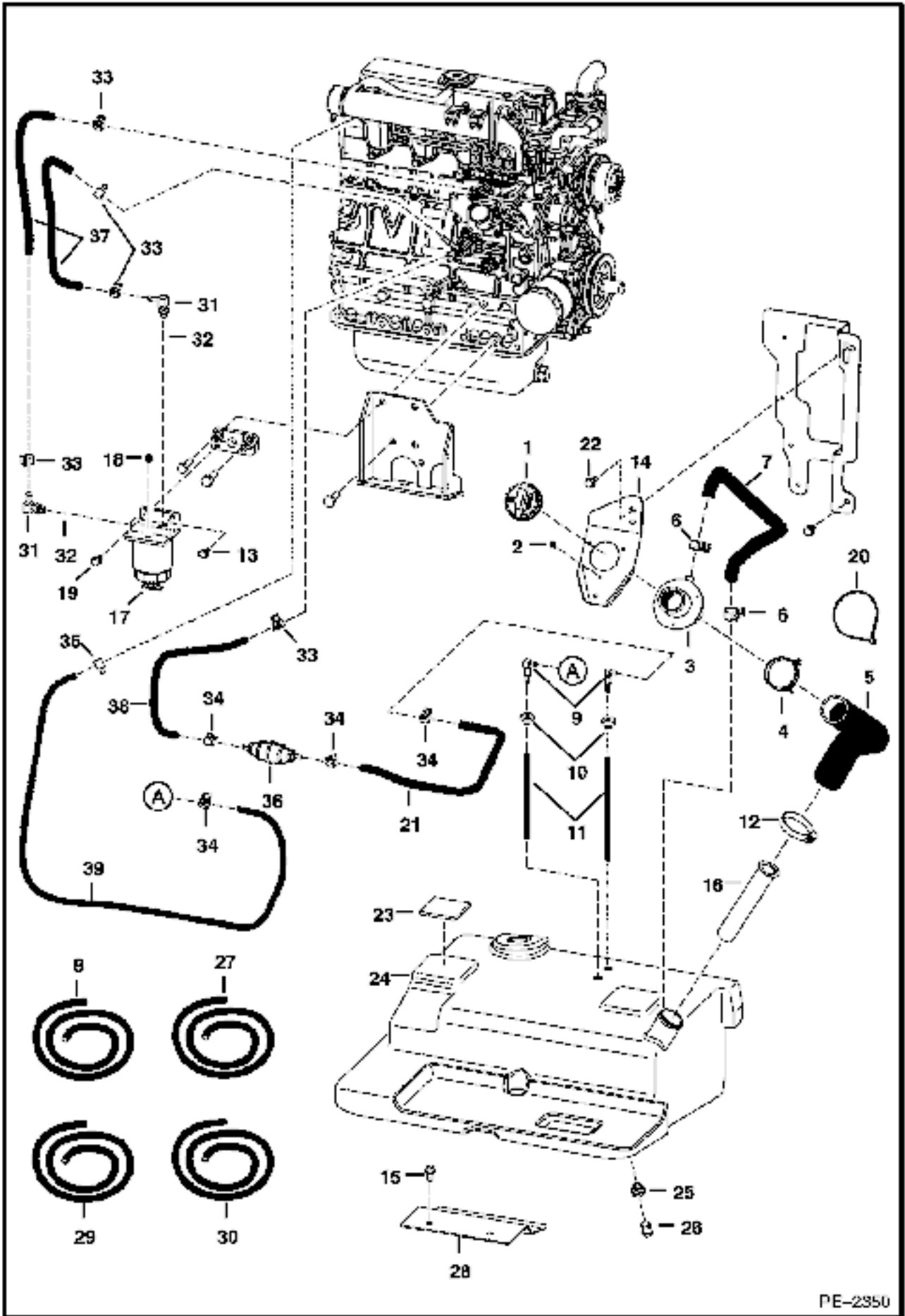


PE-2074

BOB-TACH (Cont'd)

Ref No	Part Number	Description	Remarks	Serial Number	Qty
1	6709215	BOB-TACH	See Illustration DECALS/ B26105 and also Order 6561383 Decal - W/REF. 5 & 7 - 2.50" (63,5 mm) O. D. weld on bushings		1
2		FRAME	NAP		1
3	743332B	GREASE ZERK			2
4	10H000035B	GREASE ZERK			2
5	6730997	BUSHING	press fit		2
6	17C000660B	BOLT			2
7	6731979	BUSHING	weld on - Also Order Ref. 5		2
8	6728473	BOLT	shoulder		2
9	6702904	LEVER	R.H.		1
9	6702903	LEVER	L.H.		1
10	6713040	SPRING			2
11	619021B	WASHER			2
12	85D000006B	NUT			2
13	6731119	PIVOT ASSY			2
14	6562018	SPRING			2
15	6704248	PIVOT	wedge		2
16	14J005032B	PIN			2
17	6737191	WEDGE			2
18	6702958	BUSHING	weld on		2
19	6704600	STOP	R.H. - Weld on - Shown		1
19	6704601	STOP	L.H. - Weld on - Not shown		1
20	6707514	SHIM	0.06		2
20	6579106	SHIM	0.125		2
21	6579104	SHIM	0.25		2
22	9G000620B	BOLT			4
23	6724775	LEVER KIT	R.H. - Bob-Tach - Ref. 4 & 8-17		1
23	6724776	LEVER KIT	L.H. - Bob-Tach - Ref. 4 & 8-17		1

FUEL SYSTEM

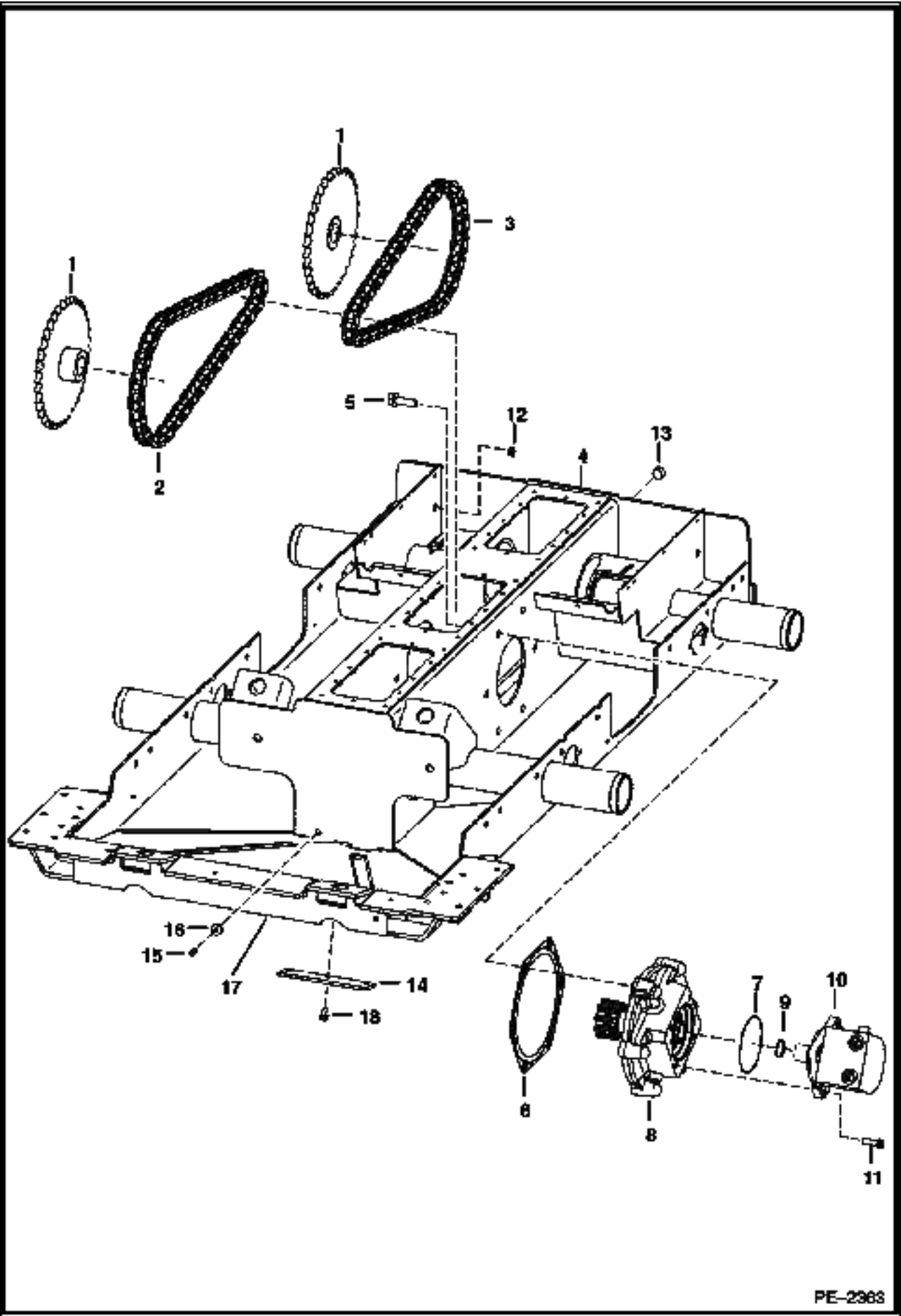


PE-2350

FUEL SYSTEM (Cont'd)

Ref No	Part Number	Description	Remarks	Serial Number	Qty
1	6661114	CAP	green		1
1	6661696	CAP	locking - W/key - Code PK510		1
1	6587458	KEY	Code PK510		1
1	7113340	CAP	non-locking - European		1
1	7121223	CAP	locking - European		1
1		KEY	European		1
2	6706517	SCREW			3
3	6701449	FILLER TUBE			1
4	5HM00058B	CLAMP	constant tension		1
5	6736208	HOSE			1
6	5HM00024B	CLAMP	constant tension		2
7		HOSE	NAP - 27.5" (698,5 mm) long - Order Ref. 8		x
8	6578172	HOSE	bulk - Sold Per Foot		x
9	7101291	ELBOW			2
10	6553411	BUSHING			2
11	6729853	HOSE			2
12	42HL00250B	CLAMP			1
13	84G003112B	BOLT			1
14	6731059	INLET			1
15	84G003712B	BOLT			2
16	6569219	SCREEN			1
17	6667353	FILTER ASSY			1
17	6667352	FILTER FUEL			1
17	72F000001B	DRAIN COCK			1
18	6658180	BREATHER	breather		1
19	84G003116B	BOLT			1
20	6624289	STA STRAP			1
21		HOSE	NAP - 37" (939,8 mm) long - Order Ref. 27		1
22	84G003716B	BOLT			2
23	6578278	PAD	self adhesive one side		2
24	7102117	TANK			1
25	6717402	BUSHING			1
26	6717401	PLUG	fuel drain		1
27	6577821	HOSE	bulk - Sold Per Foot		x
28	6737368	BRACKET			1
29	6578169	HOSE	bulk - Sold Per Foot		x
30	6577822	HOSE	bulk - Sold Per Foot		x
31	6715183	ELBOW	W/Ref. 32 - check boss face to determine correct replacement O-ring		2
32	79K000005B	O-RING			x
33	5HM00014B	CLAMP			5
34	5HM00013B	CLAMP			3
35	42HS00004B	CLAMP			2
36	6657734	PUMP	hand primer		1
37		HOSE	NAP - 13" (330,2 mm) long - Order Ref. 30		2
38		HOSE	NAP - 23" (584,2 mm) long - Order Ref. 27		1
39		HOSE	NAP - 62" (157,4 mm) long - Order Ref 29		1

DRIVE TRAIN

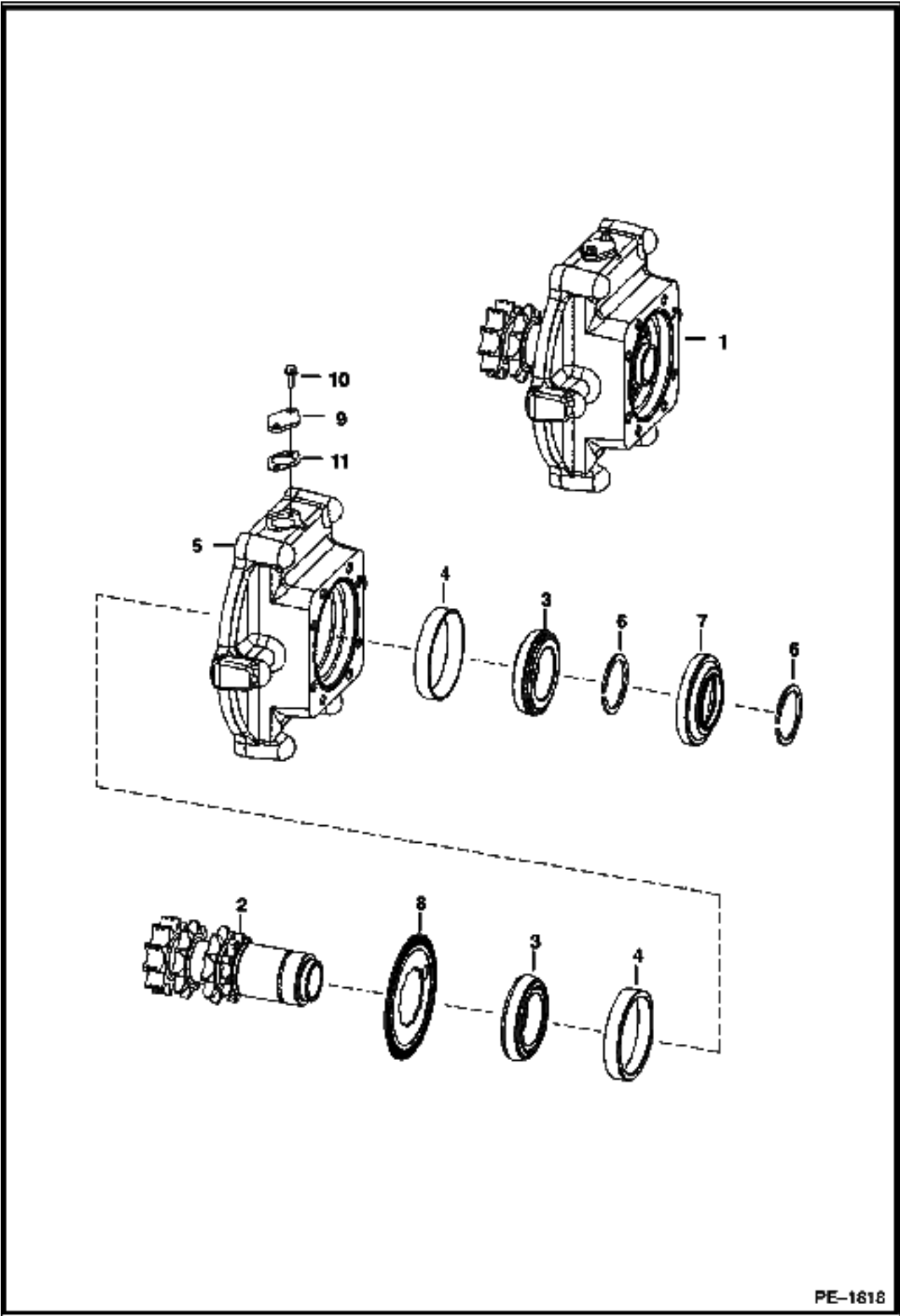


PE-2363

DRIVE TRAIN (Cont'd)

Ref No	Part Number	Description	Remarks	Serial Number	Qty
1	6577204	SPROCKET			4
2	6579126	CHAIN	58 pitch - hour glass shape link		2
2	6731219	CHAIN	58 pitch - oval shape link		2
3	6579127	CHAIN	62 pitch - hour glass shape link		2
3	6731218	CHAIN	62 pitch - oval shape link		2
3	6510171	LINK	conn. - hour glass shape		x
3	6675332	LINK	conn. - oval shape		x
4	7117344	CHAINCASE			1
5	35C001032B	BOLT			12
6	6704878	GASKET	install W/rib toward chaincase		2
7	25K030508B	O-RING			2
8		MOUNT ASSY.	DRIVE MOTOR		2
9	25K030202B	O-RING	Supplied W/Motor		2
10		MOTOR	W/REF. 9		2
11	93G000824B	SCREW			8
12	6657719	PLUG			2
13	6731121	PLUG	chaincase fill		1
14	6700182	COVER			1
15	6599645	PLUG	chaincase drain		1
16	6553411	BUSHING			2
17	6706485	HOOK	tie down - weld on		2
18	84G003712B	BOLT			3

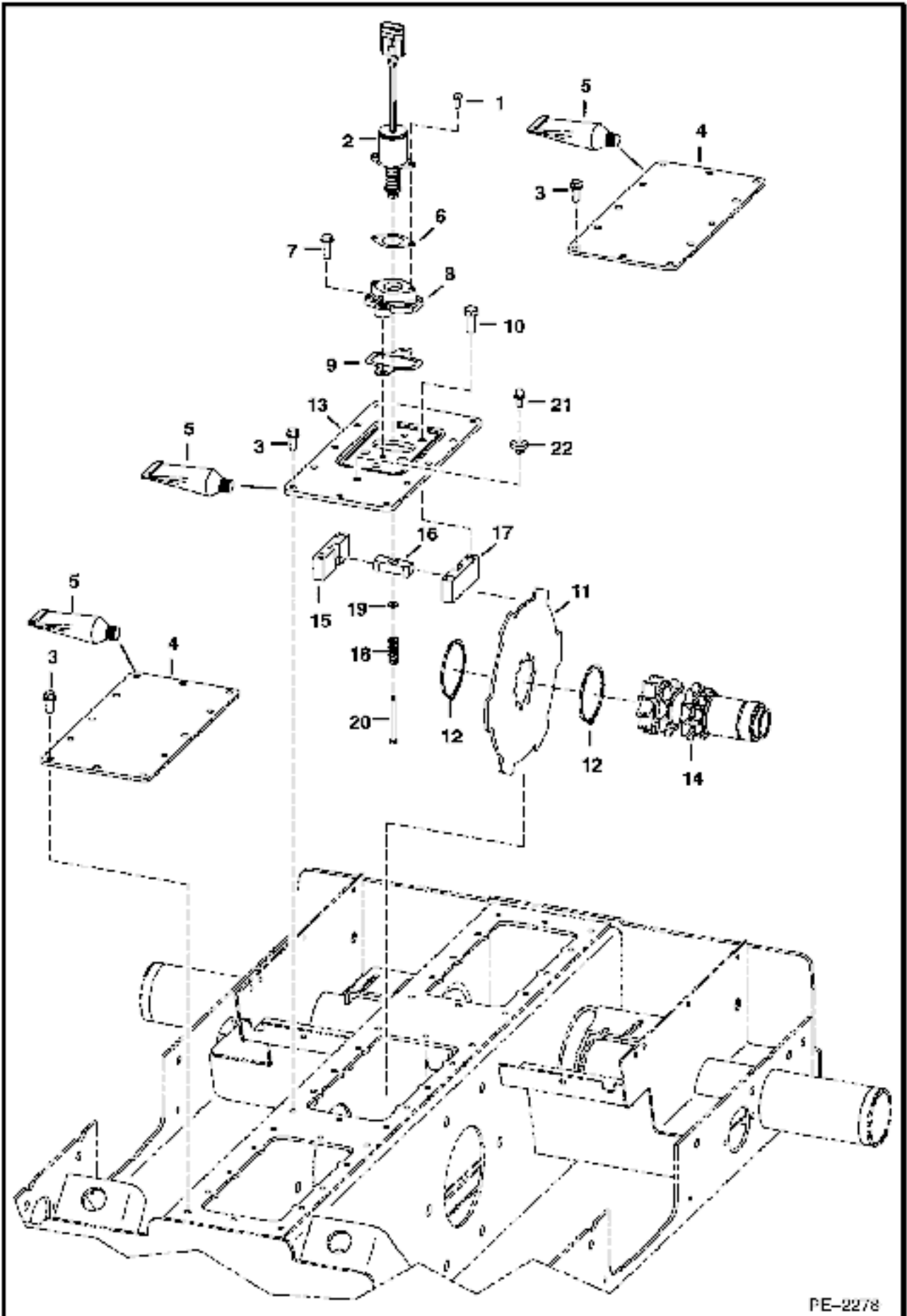
MOTOR CARRIER (Drive Motor Mount Assy.)



PE-1818

MOTOR CARRIER (Cont'd) (Drive Motor Mount Assy.)

Ref No	Part Number	Description	Remarks	Serial Number	Qty
1	6733617	MOUNT ASSY.	drive motor - Ref. 2-11		1
2	6733621	SHAFT	W/ snap ring groove		1
3	6632218	BEARING			2
4	6632541	RACE			1
5	6733619	HOUSING			1
6	6571851	SNAP RING			1
7	6705847	SEAL			1
8	6688924	MAGNET	speed sensor - Was 6680634 [D]	& Bel	1
9	6730013	COVER			1
10	35C000412B	BOLT			2
11	7110287	GASKET			1

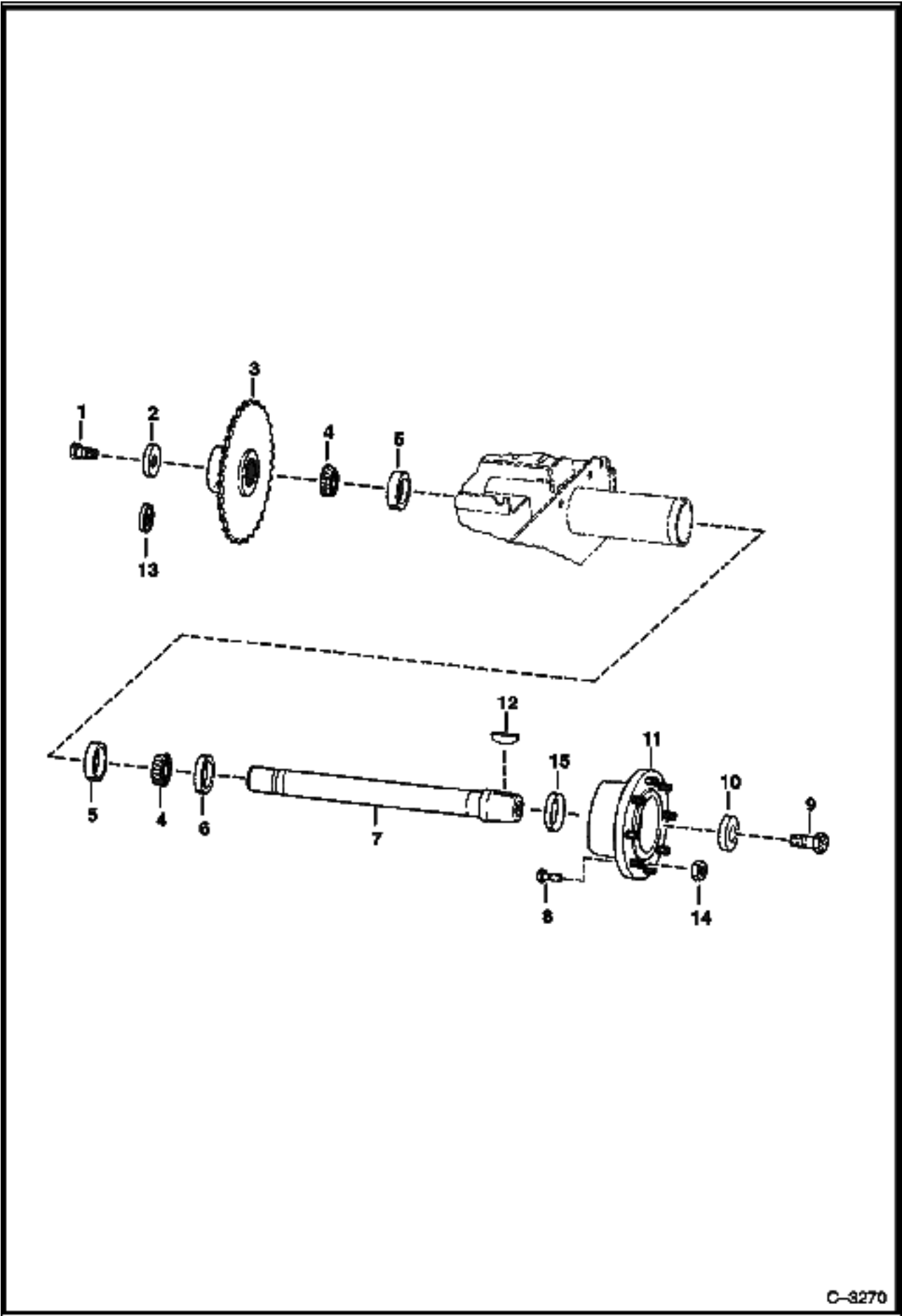


PE-2278

DISC BRAKE (Cont'd) (Flat Top Chaincase)

Ref No	Part Number	Description	Remarks	Serial Number	Qty
1	17C000412B	BOLT			2
2	6681512	SOLENOID			1
3	84G003716B	BOLT			36
4	6733956	COVER			2
5	6685372	SEAL	liquid gasket - 20 oz. tube		x
6	6706737	GASKET			1
7	84G003720B	BOLT			2
8	6706718	MOUNT			1
9	6708016	GASKET			1
10	47C000820B	BOLT			4
11	6716228	BRAKE	disc		2
12	6658672	SNAP RING			4
13	6735612	CHAINCASE COVER			1
14	6733621	SHAFT	DOUBLE SNAP RING GROOVE		2
15	6719056	BLOCK	guide - L.H.		1
16	6714278	GUIDE			1
17	6719057	BLOCK	guide - R.H.		1
18	6708018	SPRING			1
19	25E000013B	WASHER			1
20	6708267	BOLT			1
21	6680970	BREATHER			1
22	6553411	BUSHING			1

AXLE

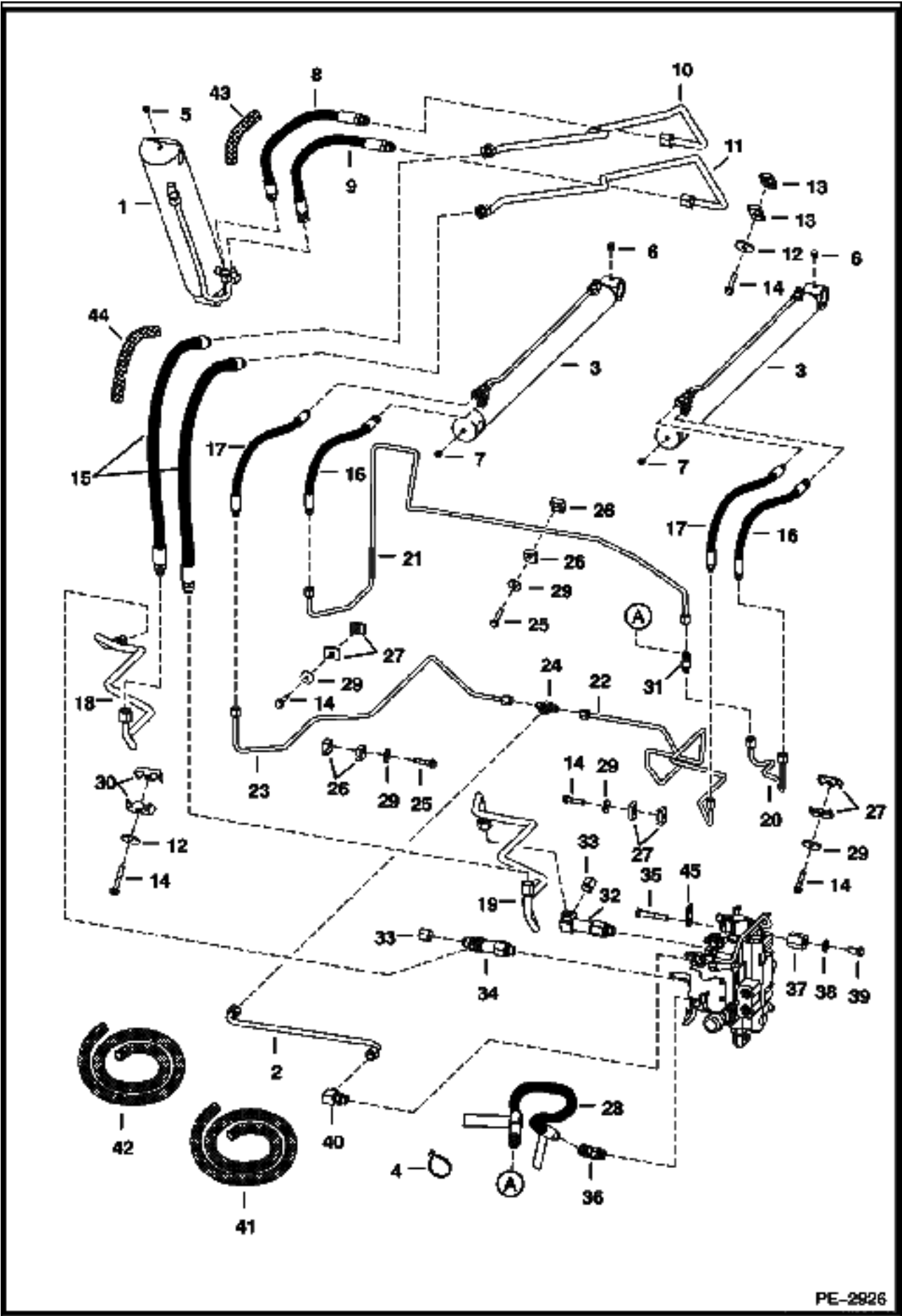


C-3270

AXLE (Cont'd)

Ref No	Part Number	Description	Remarks	Serial Number	Qty
1	6679247	BOLT	1.75"(44,5 mm) long & plated		1
2	6552871	WASHER			1
3	6577204	SPROCKET			1
4	6519925	BEARING			2
5	6634609	RACE			2
6	6658228	SEAL			1
7	6569465	AXLE			1
8	6709170	STUD	wheel		8
9	18C001636B	BOLT			1
10	6716843	WASHER	recessed		1
11	6578689	HUB			1
12	6J001664B	WOODRUFF KEY			1
13	6563606	WASHER	recessed - Used to take up .005 or .010 end play on axle		1
14	6564669	NUT	wheel		8
15	6662306	RING	wear - service part only		1
15	6722907	KIT	See Illustration AXLE SEAL KIT/ B4041 AXLE SEAL & WEAR SLEEVE		4

HYDRAULIC CIRCUITRY W/O Bucket Positioning Valve

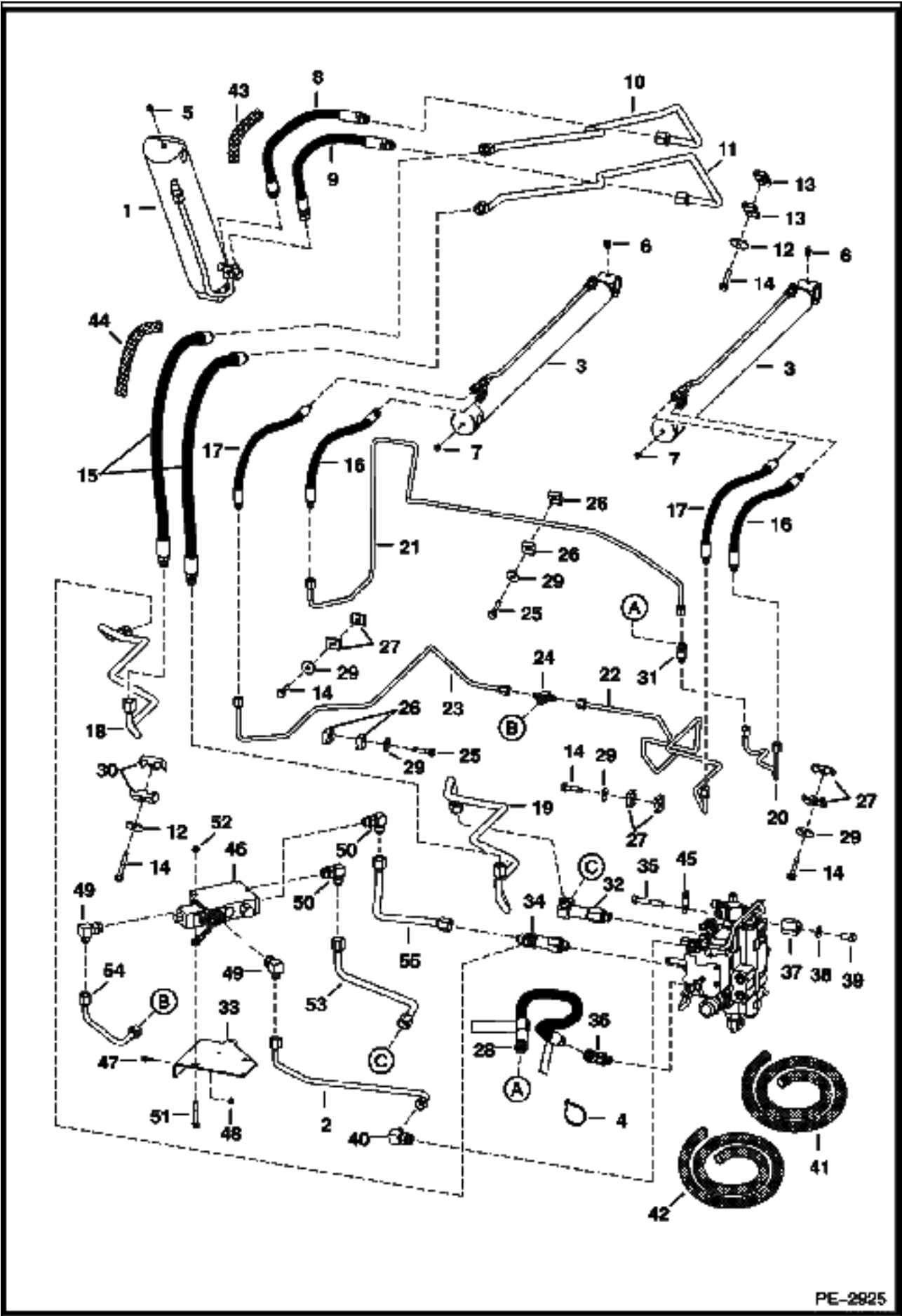


PE-2826

HYDRAULIC CIRCUITRY (Cont'd) W/O Bucket Positioning Valve

Ref No	Part Number	Description	Remarks	Serial Number	Qty
1		CYLINDER	See Illustration LIFT CYLINDER/ TS1097		1
2	7102047	TUBE			1
3		CYLINDER	See Illustration TILT CYLINDER/ TS1098		2
4	6624289	STA STRAP			3
5	10H000025B	GREASE ZERK			1
6	12H000015B	GREASE ZERK			2
7	11H000015B	GREASE ZERK			2
8	6704336	HOSE			1
9	6704335	HOSE			1
10	6737170	TUBE			1
11	6737171	TUBE			1
12	872229	WASHER			1
13	6701893	CLAMP			2
14	84G003728B	BOLT			1
15	6735997	HOSE			2
16	6736123	HOSE			2
17	6736124	HOSE			2
18	6736007	TUBE			1
19	7114484	TUBE			1
20	7113590	TUBE			1
21	7113591	TUBE			1
22	6736008	TUBE			1
23	6736122	TUBE			1
24	6727659	TEE			2
25	84G003732B	BOLT			2
26	6727707	CLAMP			6
27	6726277	CLAMP			6
28	7117171	HOSE			1
29	619021	WASHER 5			5
30	6701893	CLAMP			2
31	6729903	TEE			1
32	7101631	TEE			1
32	79K000010B	O-RING			1
33	36K000007B	CAP			2
34	6736099	TEE			1
34	79K000010B	O-RING			1
35	17C000844B	BOLT			2
36	6814531	ELBOW			1
36	79K000010B	O-RING			1
37	7103678	PAD			2
38	25E000021B	WASHER			2
39	1C000816B	SCREW			2
40	17KB00810B	ELBOW			1
40	79K000010B	O-RING			1
41	6705749	SHIELD	bulk - Sold Per Foot		x
42	6656155	HOSE COVER	bulk - Sold Per Foot		x
43		COVER	NAP - 18" (457,2mm) - Order Ref. 42		2
44		SHIELD	NAP - 36" (914,4mm) - Order Ref. 41		1
45	7103683	LIFT HOOK			2

**HYDRAULIC CIRCUITRY
W/ Bucket Positioning Valve**

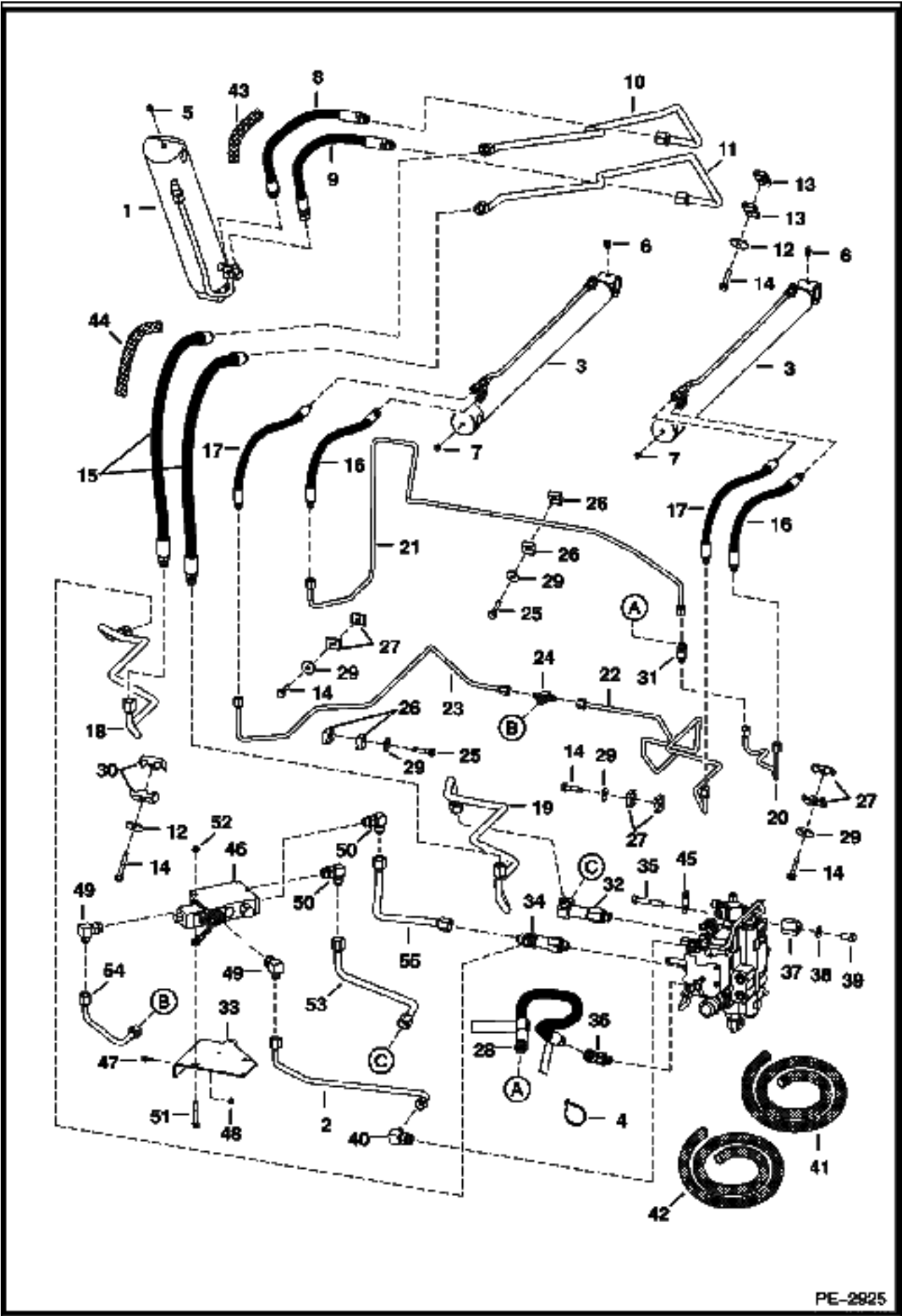


PE-2825

HYDRAULIC CIRCUITRY (Cont'd) W/ Bucket Positioning Valve

Ref No	Part Number	Description	Remarks	Serial Number	Qty
1		CYLINDER	See Illustration LIFT CYLINDER/ TS1097		1
2	7104242	TUBE			1
3		CYLINDER	See Illustration TILT CYLINDER/ TS1098		2
4	6624289	STA STRAP			3
5	10H000025B	GREASE ZERK			1
6	12H000015B	GREASE ZERK			2
7	11H000015B	GREASE ZERK			2
8	6704336	HOSE			1
9	6704335	HOSE			1
10	6737170	TUBE			1
11	6737171	TUBE			1
12	872229	WASHER			1
13	6701893	CLAMP			2
14	84G003728B	BOLT			1
15	6735997	HOSE			2
16	6736123	HOSE			2
17	6736124	HOSE			2
18	6736007	TUBE			1
19	7114484	TUBE			1
20	7113590	TUBE			1
21	7113591	TUBE			1
22	6736008	TUBE			1
23	6736122	TUBE			1
24	6727659	TEE			2
25	84G003732B	BOLT			2
26	6727707	CLAMP			6
27	6726277	CLAMP			6
28	7117171	HOSE			1
29	619021	WASHER 5			5
30	6701893	CLAMP			2
31	6729903	TEE			1
32	7101631	TEE			1
32	79K000010B	O-RING			1
33	6704833	BRACKET			1
34	6736099	TEE			1
34	79K000010B	O-RING			1
35	17C000844B	BOLT			2
36	6814531	ELBOW			1
36	79K000010B	O-RING			1
37	7103678	PAD			2
38	25E000021B	WASHER			2
39	1C000816B	SCREW			2
40	17KB00810B	ELBOW			1
40	79K000010B	O-RING			1
41	6705749	SHIELD	bulk - Sold Per Foot		x
42	6656155	HOSE COVER	bulk - Sold Per Foot		x
43		COVER	NAP - 18" (457,2mm) - Order Ref. 42		2
44		SHIELD	NAP - 36" (914,4mm) - Order Ref. 41		1
45	7103683	LIFT HOOK			2
46	6673959	VALVE			1
47	35C000412B	BOLT			2
48	55D000004B	NUT			2
49	6715716	ELBOW			2
49	79K000010B	O-RING			2

HYDRAULIC CIRCUITRY (Cont'd)
W/ Bucket Positioning Valve

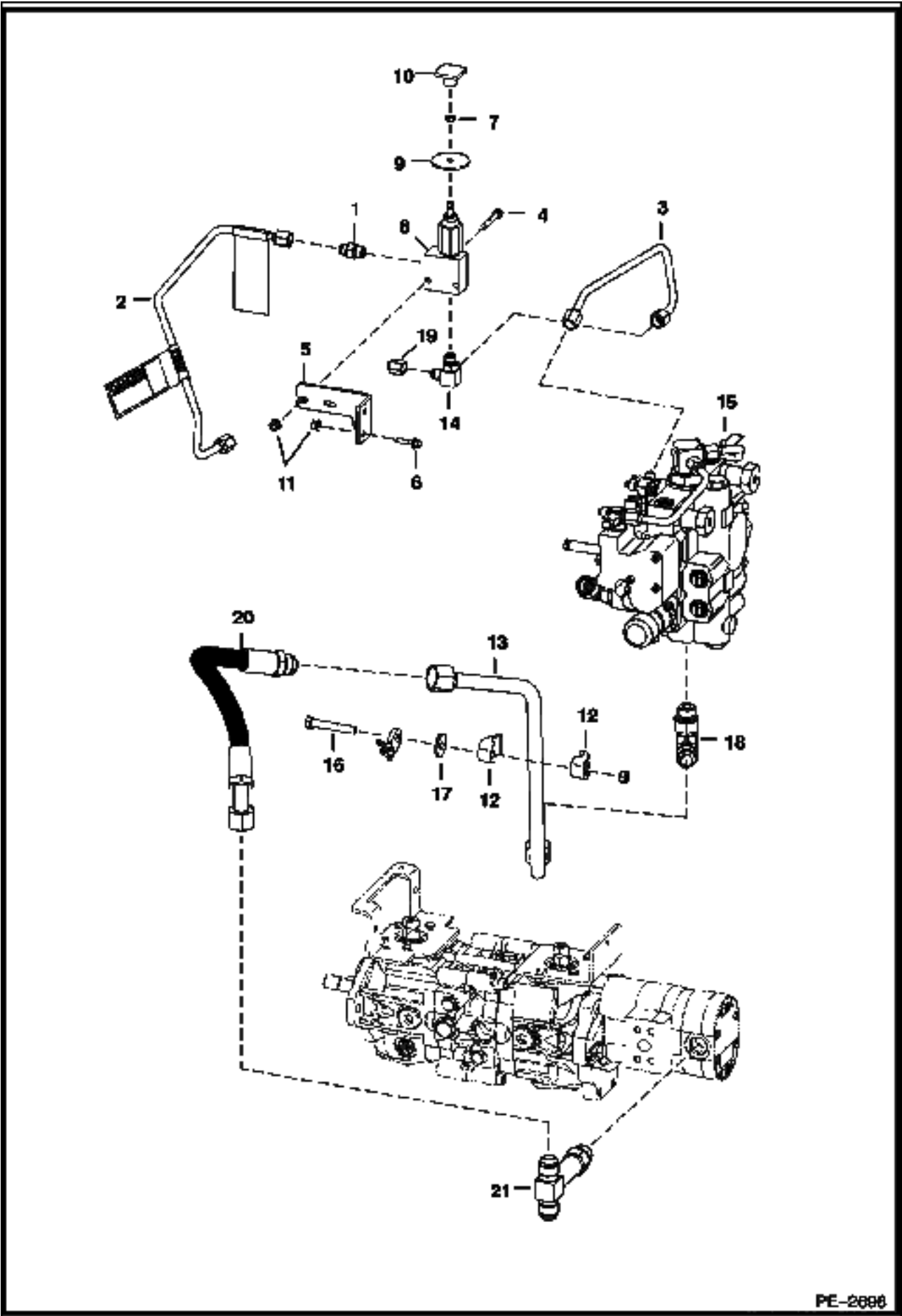


PE-2825

**HYDRAULIC CIRCUITRY (Cont'd)
W/ Bucket Positioning Valve**

Ref No	Part Number	Description	Remarks	Serial Number	Qty
50	17KB01010B	ELBOW			2
50	79K000010B	O-RING			2
51	35C000536B	BOLT			2
52	83D000005B	NUT			2
53	6736348	TUBE			1
54	6727627	TUBE			1
55	7100783	TUBE			1

MANUAL LIFT RELEASE SYSTEM

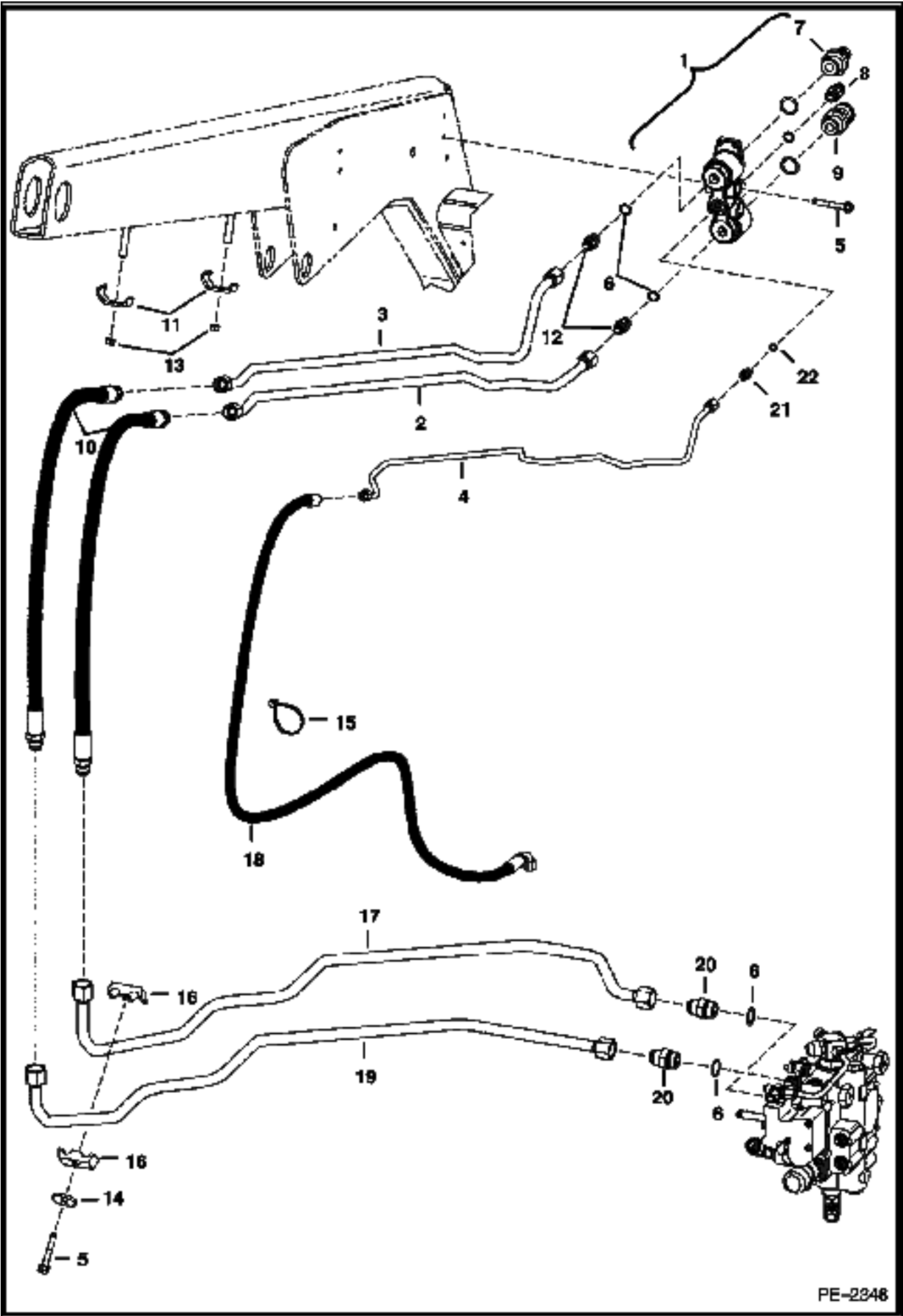


PE-2898

MANUAL LIFT RELEASE SYSTEM (Cont'd)

Ref No	Part Number	Description	Remarks	Serial Number	Qty
1	15KB00606B	ADAPTER			1
1	79K000006B	O-RING			x
2	7115494	TUBE			1
3	7113572	TUBE			1
4	17C000428B	BOLT			2
5	6729908	MOUNT			1
6	35C000416B	BOLT			2
7	7D000004B	NUT			1
8	6667844	VALVE ASSY	See Illustration MANUAL LIFT RELEASE VALVE/ PE1547 manual lift release		1
9	6707101	SEAL	neoprene		1
10	6737524	KNOB	red square		1
11	83D000004B	NUT			4
12	7100462	CLAMP			2
13	7100241	TUBE			1
14	6725182	TEE			1
14	79K000006B	O-RING			1
15		VALVE ASSY	BICS CONTROL		1
16	17C000640B	BOLT			1
17	619021B	WASHER			1
18	7101797	ELBOW			1
18	79K000012B	O-RING			1
19	36K000005B	CAP			1
20	7100853	HOSE			1
21	7114337	TEE			1
21	79K000012B	O-RING			1

**AUXILIARY HYDRAULICS
(W/Pressure Relief)**

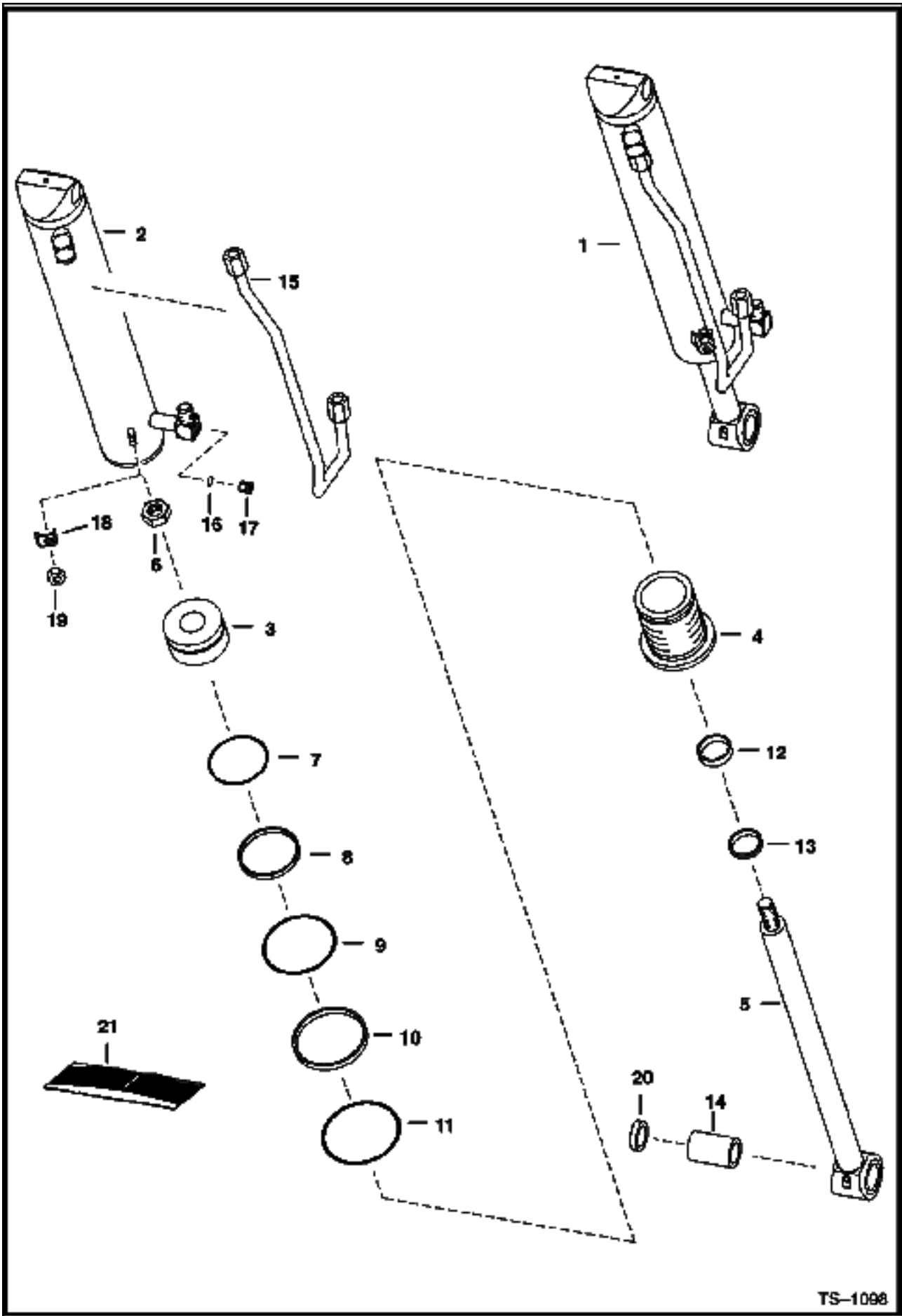


PE-2348

AUXILIARY HYDRAULICS (Cont'd) (W/Pressure Relief)

Ref No	Part Number	Description	Remarks	Serial Number	Qty
1	6678076	BLOCK	coupler - Was 6678951 [A]		1
2	6737174	TUBE			1
3	6737175	TUBE			1
4	6731908	TUBE			1
5	84G003740B	BOLT			3
6	79K000012B	O-RING			x
7	6679837	COUPLER	coupler - male		1
7	6679841	SEAL	blue		1
7	6680020	SEAL KIT	O-rings & back-up rings		1
8	6679838	COUPLER	coupler - male		1
8	6679840	SEAL	blue		1
9	6679839	COUPLER	coupler - female		1
9	6680018	KIT	female-Use W/Hydraulic breaker		1
9	6680020	SEAL KIT			1
10	6736176	HOSE	W/cover		2
11	6731732	CLAMP			2
12	6679835	KIT	adapter - W/NSS spring & Ref. 6		2
13	91D000006B	NUT			2
14	872229	WASHER			1
15	6624289	STA STRAP			3
16	6592506	CLAMP			2
17	6731729	TUBE			1
18	7101860	HOSE			1
19	6736150	TUBE			1
20	15KB01212B	ADAPTER	W/Ref. 6		2
21	15KB00606B	ADAPTER	W/Ref. 22		2
22	79K000006B	O-RING			1

TILT CYLINDER

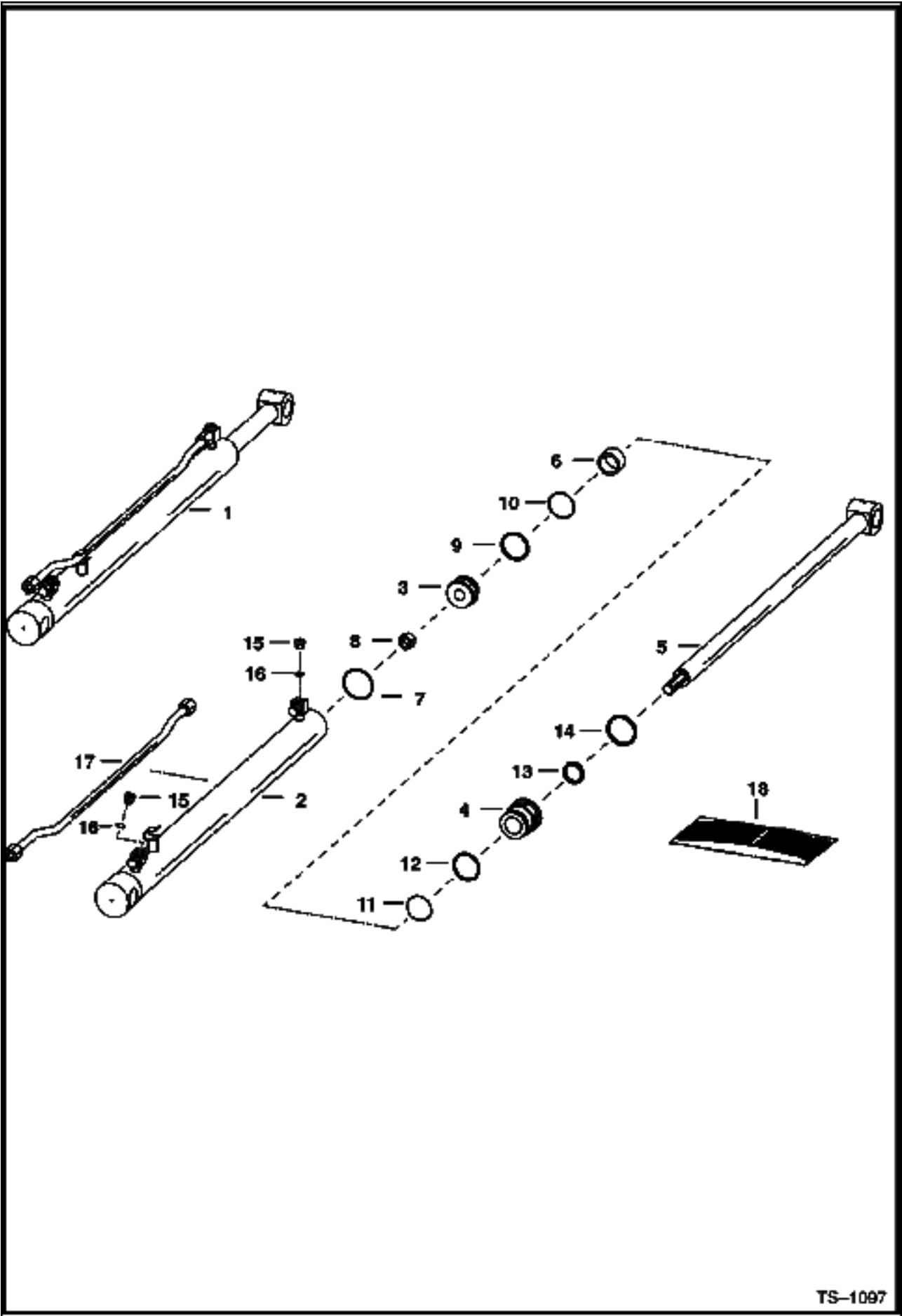


TS-1098

TILT CYLINDER (Cont'd)

Ref No	Part Number	Description	Remarks	Serial Number	Qty
1	6804629	CYLINDER	tilt - Ref. 2-19		1
2		CASE	NAP - 3.5" (88,9 mm) I.D. - Order Ref. 1		1
3	6804632	PISTON	1.125" (28,6 mm) I.D.		1
4	6539934	HEAD			1
5	6804631	ROD	1.5" (38,1 mm) O.D - W/Ref. 14- W/ grease zerk hole		1
6	6810539	NUT			1
7	54K030300B	O-RING			1
8	1530265B	PISTON SEAL	piston		1
9	54K060304B	O-RING			1
10	80K000338B	RING	back-up		1
11	82K000238B	O-RING 10			1
12	6667326	SEAL			1
13	6665086	SEAL	wiper		1
14	6805150	BUSHING	wear - W/ grease zerk hole		1
15	6586586	TUBE			1
16	75K000006B	O-RING			2
16	75K000007B	O-RING			2
17	6816855	PLUG	W/Ref. 16		2
18	6562266	CLAMP			1
19	95D000006B	NUT			1
20	225855B	SEAL			2
21	6816323	SEAL KIT	Ref. 6 - 13		1

LIFT CYLINDER

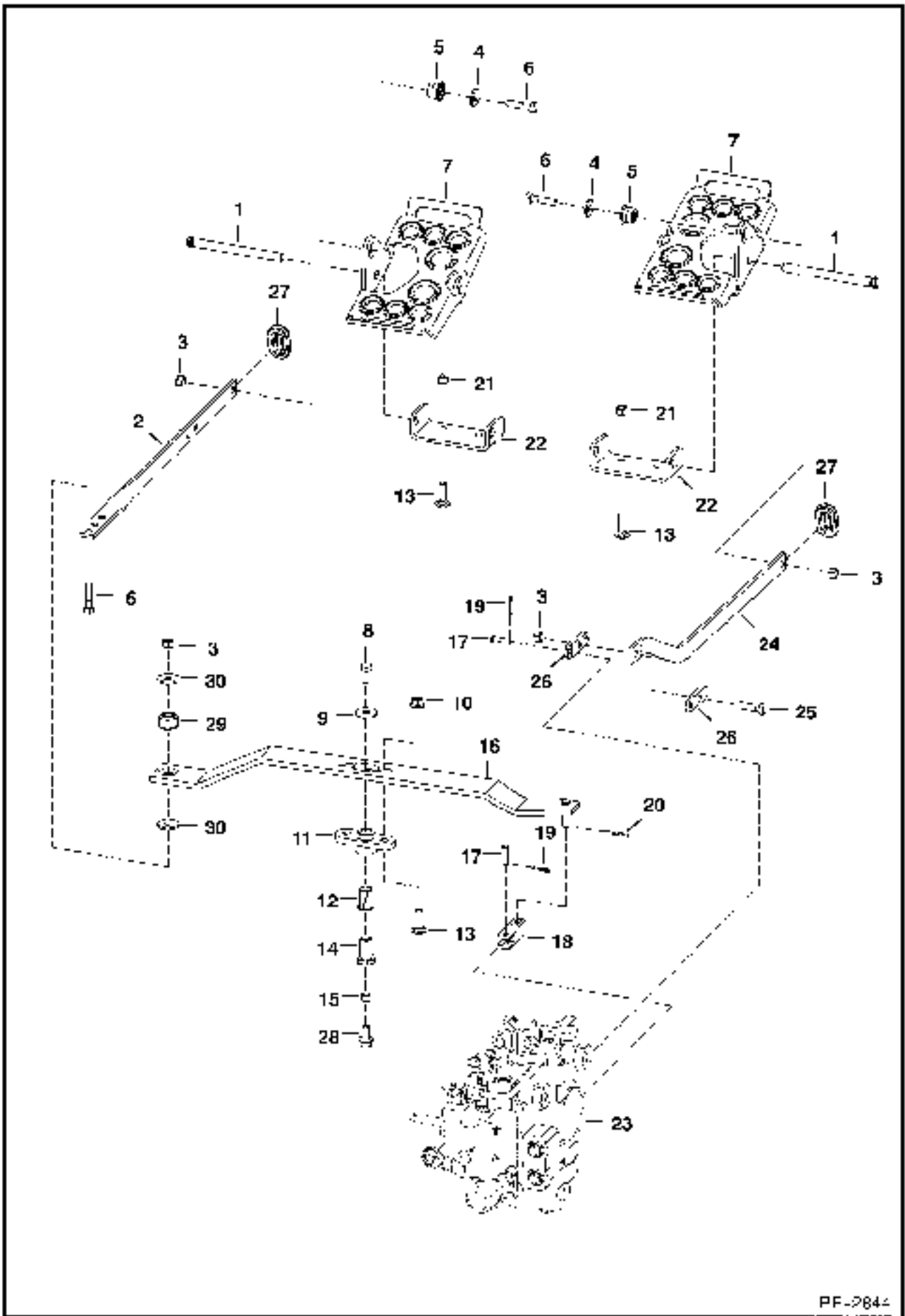


TS-1097

LIFT CYLINDER (Cont'd)

Ref No	Part Number	Description	Remarks	Serial Number	Qty
1	6809200	CYLINDER	Ref. 2 - 17		2
2	6809209	CASE			1
3	6677195	PISTON	W/Ref. 9 & 10 - W/Non- Replaceable wear sleeves		1
4	6539323	HEAD			1
5	6809759	ROD	1.25" dia.		1
6	6539299	SPACER			1
7	58K000136B	O-RING			1
8	92D000014B	NUT			1
9	6516231	RING			1
10	54K030118B	O-RING			1
11	54K040124B	O-RING			1
12	73K000224B	WASHER	back-up		1
13	6667324	SEAL	rod		1
14	6665208	SEAL	wiper		1
15	6812170	PLUG	W/Ref. 16		2
16	75K000003B	O-RING			2
17	6809202	TUBE			1
18	6804927	SEAL KIT	Ref. 7 - 14		1

CONTROL PEDALS



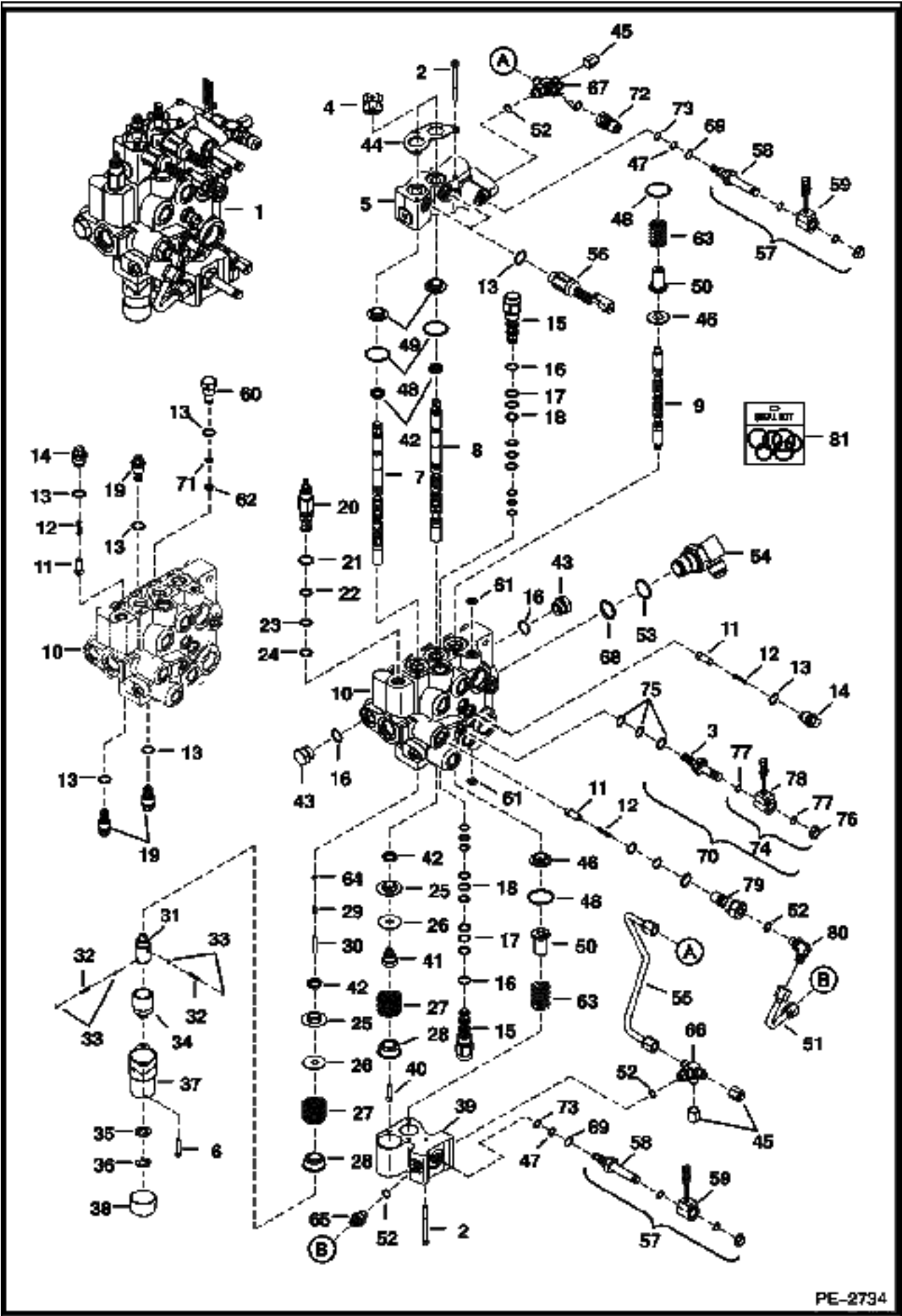
PF-2844

CONTROL PEDALS (Cont'd)

Ref No	Part Number	Description	Remarks	Serial Number	Qty
1	6564657	PIN			2
2	6576302	BAR			1
3	95D000006B	NUT			5
4	6563914	WASHER			2
5	6665701	BUSHING			2
6	17C000624B	BOLT			3
7	7115219	PEDAL			2
8	6665839	BOLT	round head allen socket - .75" long		1
8	17C000616B	BOLT	hex head - 1.0" long		1
9	619021B	WASHER			2
10	83D000006B	NUT	flanged head - prevailing torque		2
10	53D000006B	NUT	flanged head - pre-applied loctite		2
11	6708043	BUSHING	flange		1
12	6512026	BUSHING			1
13	37C000620B	BOLT			6
14	6706104	RETAINING NUT			1
15	6544654	BUSHING	spacer		1
16	7101395	LINK ASSY			1
17		PIN	NAP - Was 6564654 [A]		2
18	6706105	YOKE			1
19	6513495	COTTER PIN			2
20	1306637B	PIN			1
21	57D000006B	NUT			4
22	7115220	MOUNT			2
23		VALVE	See Illustration HYDRAULIC CONTROL VALVE/ PE2734		1
24	7101394	LINK			1
25	17C000620B	BOLT			1
26	6708009	LINK			2
27	6577961	GROMMET			2
28	35C000612B	BOLT	flanged hex head		1
28	17C000612B	BOLT	hex head		1
29	6685060	BUSHING	torsion		1
30	6737388	WASHER			2

HYDRAULIC CONTROL VALVE

Manual Hand Controls

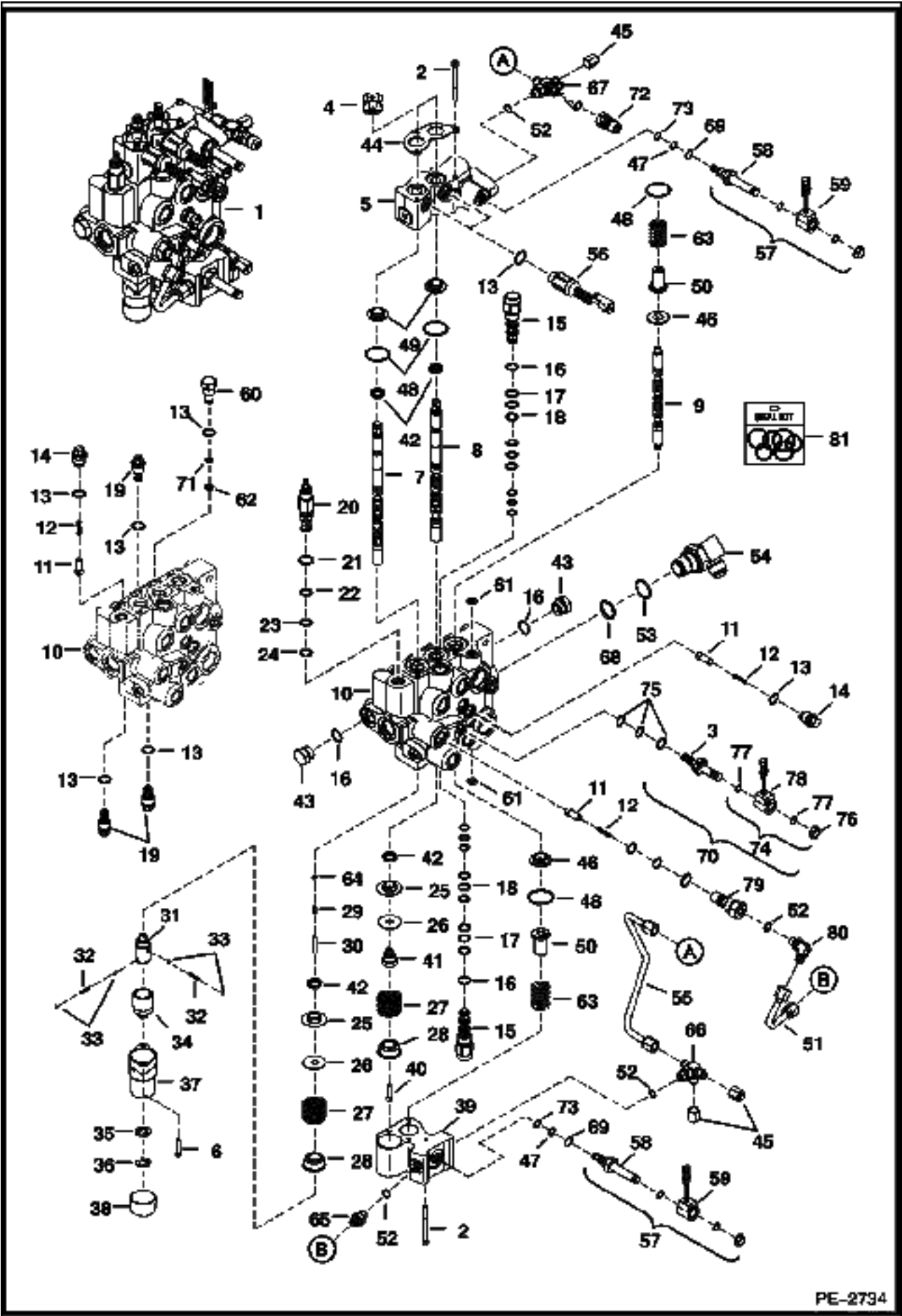


PE-2794

HYDRAULIC CONTROL VALVE (Cont'd) Manual Hand Controls

Ref No	Part Number	Description	Remarks	Serial Number	Qty
1	7113007	VALVE	W/Fittings		1
2	29G000444B	BOLT			7
3	6667687	STEM			1
4	6587763	BOOT			2
5	6817003	BODY			1
6	29G000416B	SCREW			2
7	7108781	SPOOL	lift		1
8	6815152	SPOOL	tilt		1
9	7112383	AUX SPOOL	auxiliary		1
10		BODY	NSS		1
11	7106712	SEAT	load check		4
12	6592117	SPRING			4
13	79K000008B	O-RING			3
14	6817707	PLUG	load check - W/Ref. 13		3
15	6668765	VALVE	anti-cavity check -W/Ref. 16-18		2
16	79K000010B	O-RING			5
17	80K000014B	RING	back-up		5
18	58K000014B	O-RING			5
19	6684645	VALVE	port relief - W/Ref. 13		3
20	6686360	VALVE	main relief - W/Ref. 21-24 - pressure to be set in field		1
21	58K000017B	O-RING			1
22	6665569	WASHER	back-up		1
23	25K020016B	O-RING			1
24	6665570	RING	glide		1
25	6595663	BUSHING			2
26	6587523	WASHER			2
27	6587580	SPRING			2
28	6592100	COLLAR			2
29	6596807	PLUG			1
30	6586918	SCREW			1
31	6587575	ADAPTER			1
32	6592107	SPRING			2
33	6592105	BALL			4
34	6531270	SLEEVE			1
35	6592098	WASHER			1
36	799119B	SNAP RING			1
37	6589226	BONNET	.625" flange		1
38	6660644	CAP			1
39	6814279	BLOCK			1
40	30G000416B	BOLT			1
41	6592109	ADAPTER			1
42	6683274	SEAL			4
43	24K000007B	PLUG	W/Ref. 16		2
44	6813153	PLATE			1
45	36K000005B	CAP			1
46	6804920	BUSHING			2
47	58K000011B	O-RING			2
48	58K000127B	O-RING			4
49	6805102	BUSHING			2
50	6814694	RETAINER	spring		2
51	7116995	TUBELINE			1
52	79K000006B	O-RING			x
53	79K000016B	O-RING			x
54	7101371	ELBOW	W/Ref. 53 & 68		1

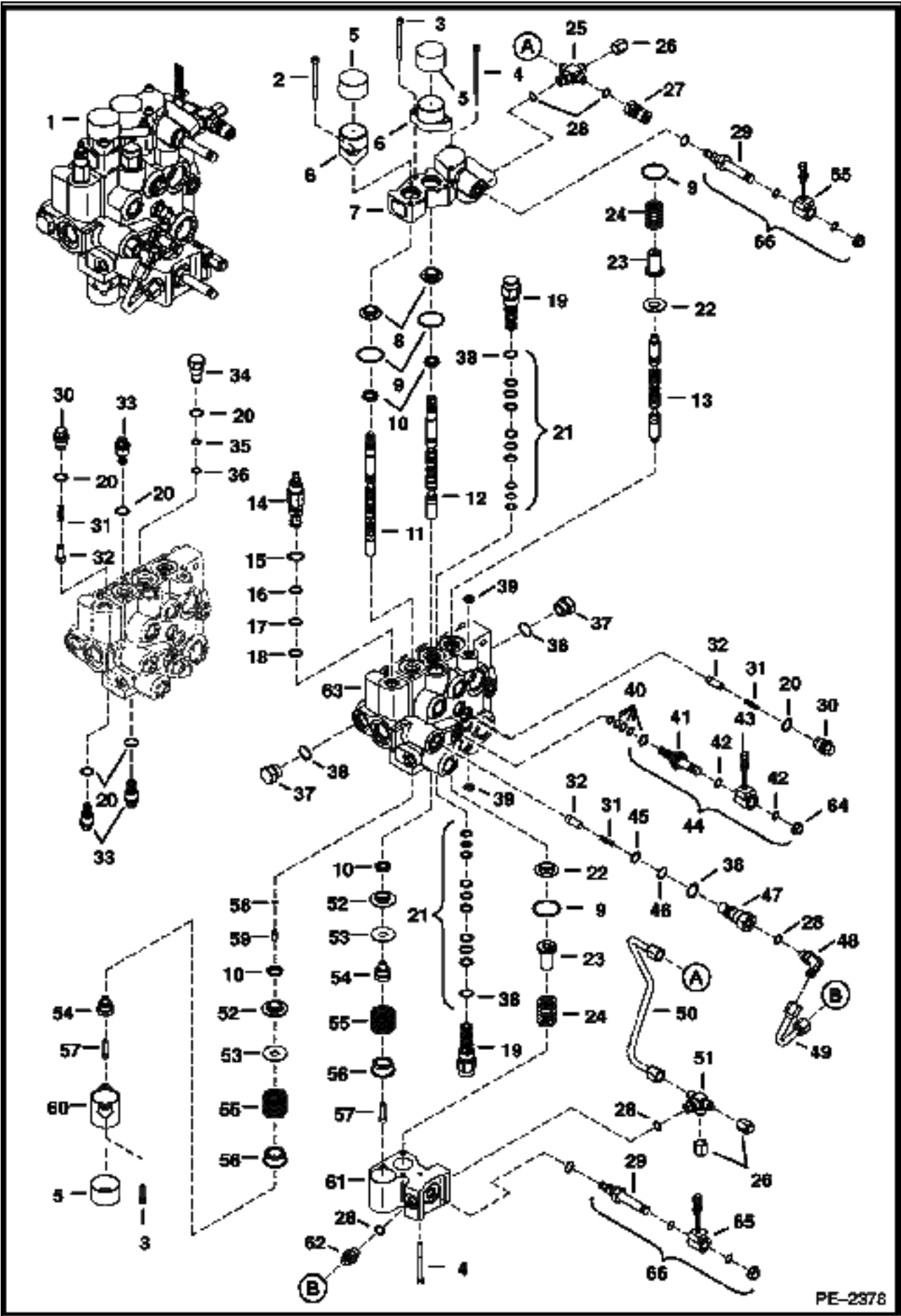
HYDRAULIC CONTROL VALVE (Cont'd)
Manual Hand Controls



PE-2794

HYDRAULIC CONTROL VALVE (Cont'd) Manual Hand Controls

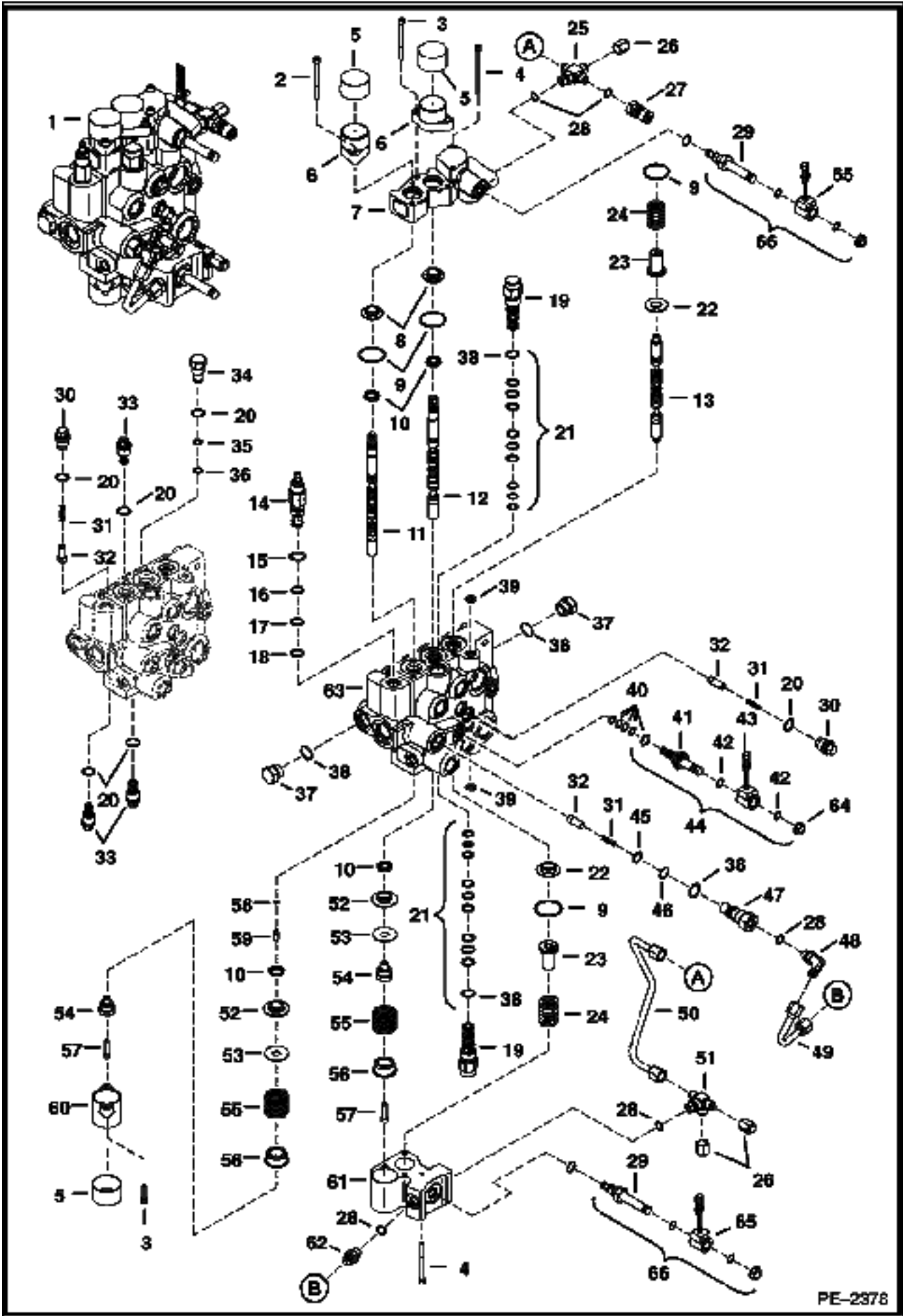
Ref No	Part Number	Description	Remarks	Serial Number	Qty
55	7110914	TUBELINE			1
56	6677383	SOLENOID	spool lock - 5" (127 mm) wire		2
57	6686868	SOLENOID	W/Ref. 47, 58, 59, 69 & 73		2
58	6688397	STEM	W/Ref. 73		2
59	6678891	COIL	W/ Nut - 10 Volt		2
60	6816549	PLUG	W/Ref. 13, 62 & 71		1
61	55K000204B	O-RING			2
62	80K000013B	WASHER	back-up		4
63	7121399	SPRING	Was 6810950 [A]		2
64	54K020002B	O-RING			1
65	6688845	VALVE	check - W/screen & Ref. 52		1
66	7102019	FITTING	W/Ref. 52		1
67	7102066	CROSS	W/Ref. 52		1
68	58K000022B	O-RING			1
69	58K000012B	O-RING			2
70		SOLENOID	Ref. 3 & 75-78		1
70	80K000016B	WASHER	back-up		x
71	58K000013B	O-RING			1
72	6684125	COUPLER			1
73	79K000007B	O-RING			2
74	6675559	COIL	Assy. - Ref. 76-78		1
75	6669732	SEAL KIT			1
76	6668820	NUT			1
77	54K020028B	O-RING			4
78	6671025	COIL	8 Volt		2
79	6815014	CHECK VALVE			1
80	17KB00606B	ELBOW			1
81	6816252	SEAL KIT	Spool - Ref. 2, 4, 29, 42, 48 & 64		x
81	6661328	SEAL KIT	main relief - Ref. 21-24		x
81	6809425	SEAL KIT	Ref. 13 & 16-18		x
81	6816253	SEAL KIT	Complete - Ref. 2, 4, 6, 13, 16-18, 21-24, 42, 44, 48, 61 & 62		x



HYDRAULIC CONTROL VALVE (Cont'd) (ACS) (Selectable Joystick Controls)

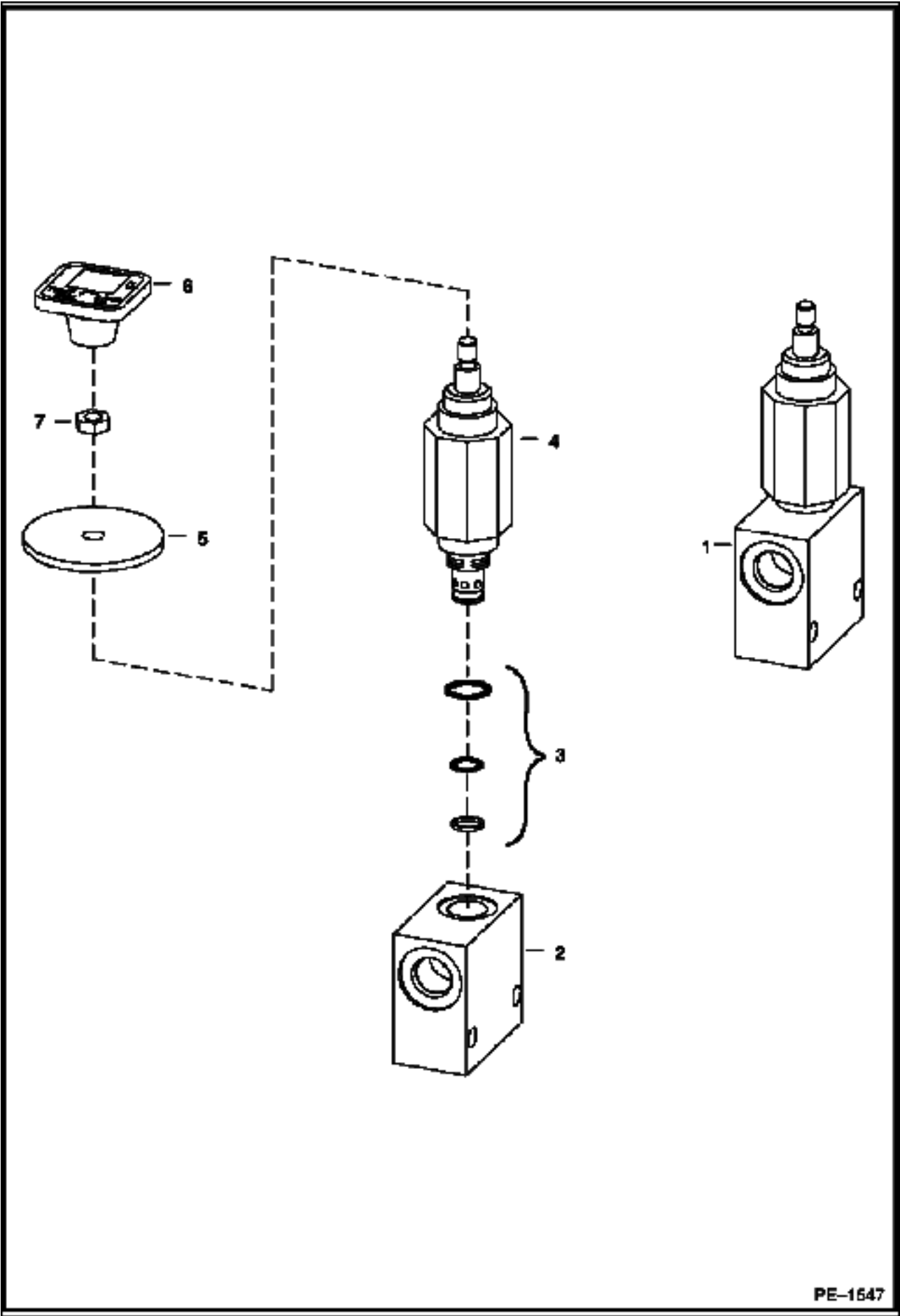
Ref No	Part Number	Description	Remarks	Serial Number	Qty
1	7113009	VALVE			1
2	69G000436B	BOLT			2
3	29G000416B	SCREW			4
4	29G000444B	BOLT			5
5	6662848	CAP			3
6	7101345	BONNET			2
7	6817004	BODY			1
8	6805102	BUSHING			2
9	58K000127B	O-RING			4
10	6683274	SEAL			4
11	7108241	SPOOL	lift		1
12	7108242	SPOOL	tilt		1
13	7112383	AUX SPOOL	aux		1
14	6686360	VALVE	W/Ref. 15-18		1
15	58K000017B	O-RING			x
16	6665569	WASHER	back-up		x
17	25K020016B	O-RING			x
18	6665570	RING	guide		x
19	6668765	VALVE	W/Ref. 38		2
20	79K000008B	O-RING			x
21	6669734	SEAL KIT			1
22	6804920	BUSHING			2
23	6814694	RETAINER			2
24	7121399	SPRING	Was 6810950 [A]		2
25	7102066	CROSS	W/Ref. 28		1
26	36K000005B	CAP			2
27	6684125	COUPLER	male		1
28	79K000006B	O-RING			x
29	6688397	STEM			2
30	6817707	PLUG	check valve - W/Ref. 20		3
31	6592117	SPRING			4
32	7106712	SEAT			4
33	6684645	VALVE	W/Ref. 20		3
34	6816549	PLUG	W/Ref. 20, 35 & 36		1
35	58K000013B	O-RING			x
36	73K000013B	O-RING			x
37	24K000007B	PLUG	W/Ref. 38		2
38	79K000010B	O-RING			x
39	55K000204B	O-RING			x
40	6669732	SEAL KIT			1
41	6667687	STEM			1
42	54K020028B	O-RING			x
43	6671025	COIL			1
44	6672471	VALVE	W/Ref. 40-43 & 64		1
45	58K000016B	O-RING			x
46	73K000016B	RING	back-up		x
47	6815014	CHECK VALVE	W/Ref. 38, 45 & 46		1
48	17KB00606B	ELBOW	W/Ref. 28		1
49	7116995	TUBELINE			1
50	7110914	TUBELINE			1
51	7102018	TEE	W/Ref. 28		1
52	6595663	BUSHING			2
53	6587523	WASHER			2
54	6592109	ADAPTER			2

HYDRAULIC CONTROL VALVE (Cont'd)
(ACS) (Selectable Joystick Controls)



Ref No	Part Number	Description	Remarks	Serial Number	Qty
55	6587580	SPRING			2
56	6592100	COLLAR			2
57	7102652	SCREW			2
58	54K020002B	O-RING			x
59	6801167	PLUG			1
60	6803092	BONNET			1
61	6814279	BLOCK			1
62	6688845	VALVE	check - W/screen & Ref. 28		1
63		BODY	NSS		1
64	6668820	NUT			1
65	6678891	COIL			2
66			W/Ref 29 & 65		2

MANUAL LIFT RELEASE VALVE

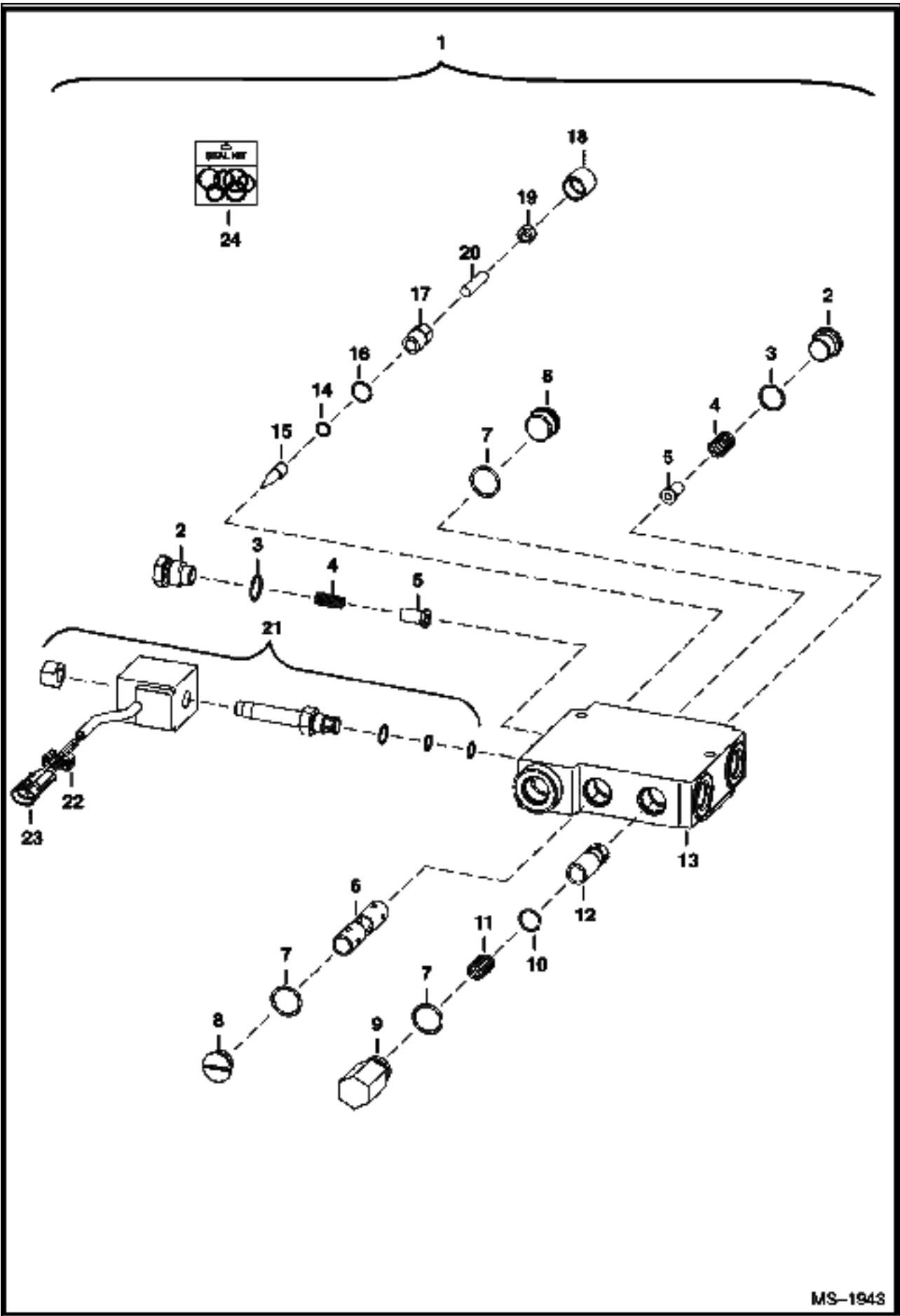


PE-1547

MANUAL LIFT RELEASE VALVE (Cont'd)

Ref No	Part Number	Description	Remarks	Serial Number	Qty
1	6667844	VALVE ASSY	Ref. 2-4		1
2		BLOCK	NSS		1
3	6669087	SEAL KIT			1
4	6669085	VALVE			1
5	6707101	SEAL	neoprene		1
6	6737524	KNOB	red square		1
7	7D000004B	NUT			1

BUCKET POSITIONING VALVE

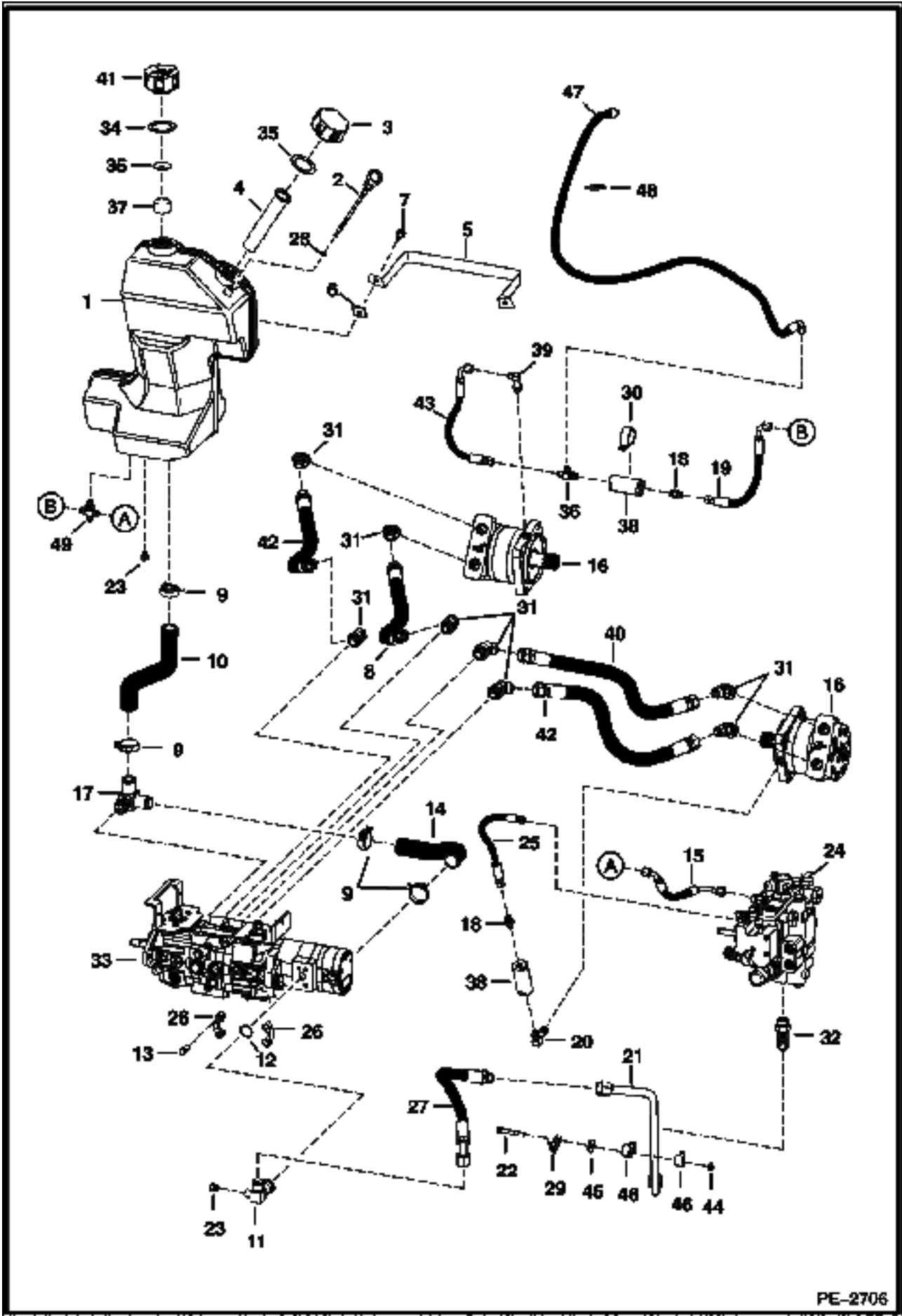


MS-1943

BUCKET POSITIONING VALVE (Cont'd)

Ref No	Part Number	Description	Remarks	Serial Number	Qty
1	6666341	VALVE	Ref. 2-20 - white		1
1	6673959	VALVE	Ref. 2-23 - white		1
2	6647784	PLUG	W/Ref. 3		2
3	79K000008B	O-RING			2
4	6647785	SPRING			2
5	6647783	LOAD CHECK			2
6		SPOOL	NSS		1
7	58K000116B	O-RING	backup		3
8	6647780	PLUG	W/Ref. 7		2
9	6667176	PLUG	W/Ref. 7		1
10	6667680	SNAP RING			1
11	6648294	SPRING			1
12		SPOOL	NSS		1
13		BODY	NSS		1
14	6667677	O-RING			1
15	6647777	PIN			1
16	79K000006B	O-RING			1
17	6647778	CAP			1
18	6667676	COVER			1
19	6631561	NUT			1
20	6648293	SCREW			1
21	6672863	SOLENOID			1
21	6671527	NUT			1
21	6670634	SEAL KIT			1
21	6674331	COIL	W/ Ref. 22 & 23		1
21	6676545	CARTRIDGE			1
22	6641180	LOCK	2-pin		1
23	6641179	CONNECTOR	2-pin		1
24	6647786	SEAL KIT	Ref. 3, 7, 14, 16 & 18		1

HYDROSTATIC CIRCUITRY Manual Hand Controls

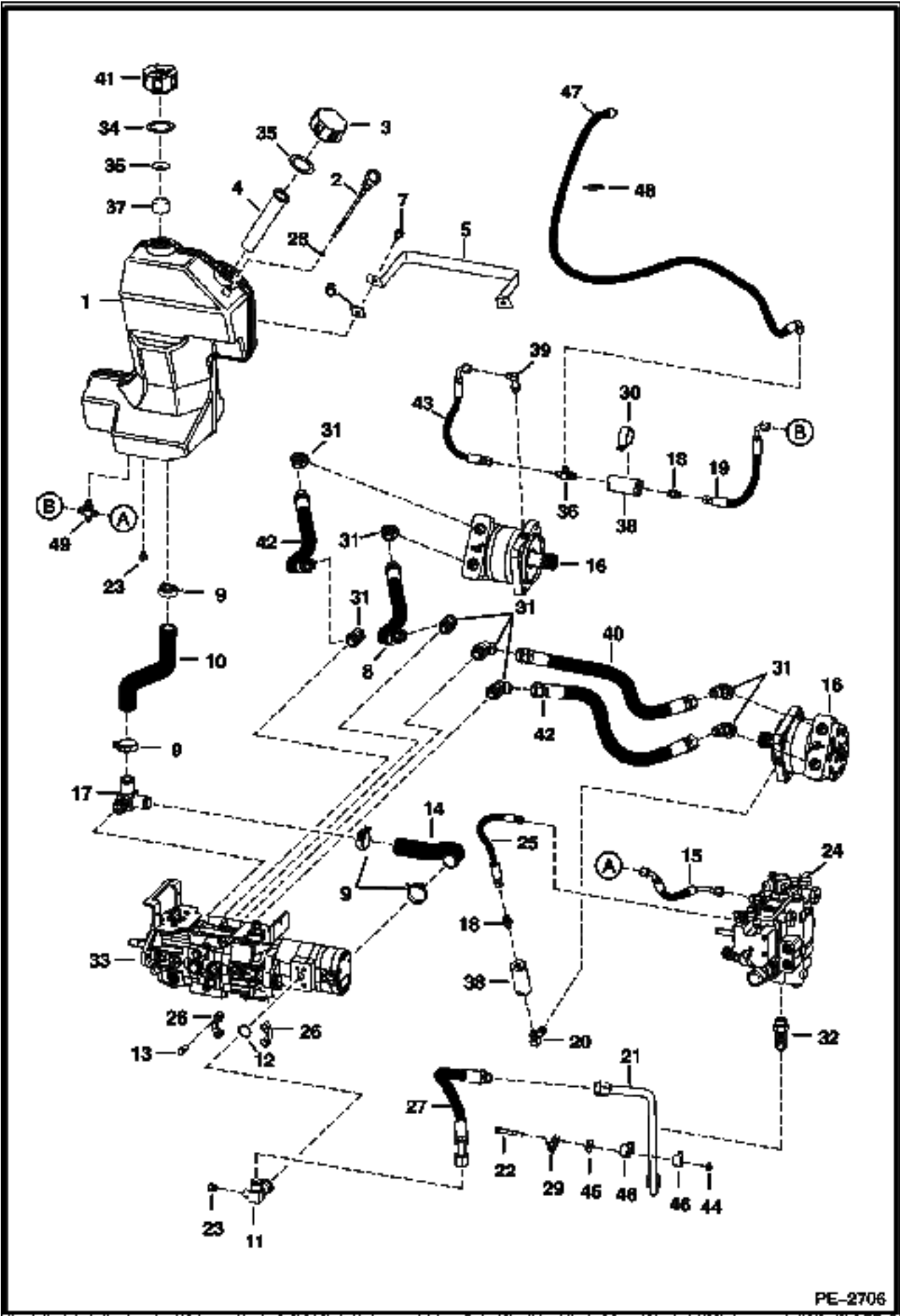


PE-2706

HYDROSTATIC CIRCUITRY (Cont'd) Manual Hand Controls

Ref No	Part Number	Description	Remarks	Serial Number	Qty
1	7108991	TANK			1
2	6577459	DIPSTICK	W/Ref. 28		1
3	6728149	CAP	breather		1
4	6569219	SCREEN			1
5	6734272	BAND			1
6	6559447	WASHER			2
7	84G003712B	BOLT			2
8	6737501	HOSE	mega seal		1
9	5HM00042B	CLAMP	constant tension		4
10	7107840	HOSE	1.25" (31,8 mm) I.D.		1
11	7106040	ELBOW	split flange - Use W/O Ref. 23		1
12	55K000214B	O-RING			1
13	17C000620B	BOLT			4
14	7114487	HOSE			1
15	7113305	HOSE			2
16	6682034	MOTOR	See Illustration HYDROSTATIC MOTOR/ C3431		1
17	7106080	TEE			1
18	15KB00606B	ADAPTER			2
18	79K000006B	O-RING			x
19	7106205	HOSE	15.5"(393,7 mm) long		1
20	6715190	ELBOW			1
20	79K000006B	O-RING			1
21	7100241	TUBE			1
22	17C000640B	BOLT			1
23	24K000005B	PLUG			1
23	79K000006B	O-RING			1
24		VALVE			1
25	6542521	HOSE			1
26	19J000012B	CLAMP			2
27	7100853	HOSE			1
28	25K020010B	SEAL			1
29	6679034	MOUNT	harness		1
30	30H000079B	CLAMP			1
31	6737453	ELBOW	mega seal		8
31	79K000012B	O-RING			8
32	7101797	ELBOW			1
32	79K000012B	O-RING			1
33		PUMP	See Illustration HYDROSTATIC PUMP/ MS2184		1
34	6701552	BAFFLE			1
35	6700631	GASKET			2
36	6578209	TEE			1
36	79K000006B	O-RING			1
37	6703427	FOAM FILTER			1
38	6661022	FILTER	See Illustration HYDROSTATIC OIL FILTER/ B13527 IN-LINE		2
39	6812815	FITTING			1
39	79K000006B	O-RING			1
40	7110834	HOSE			1
41	6727475	CAP			1
41	79K000006B	O-RING			1
42	6737500	HOSE	mega seal		2
43	7106212	HOSE			1
44	85D000006B	NUT			1
45	619021B	WASHER			1
46	7100462	CLAMP			2

HYDROSTATIC CIRCUITRY (Cont'd)
Manual Hand Controls

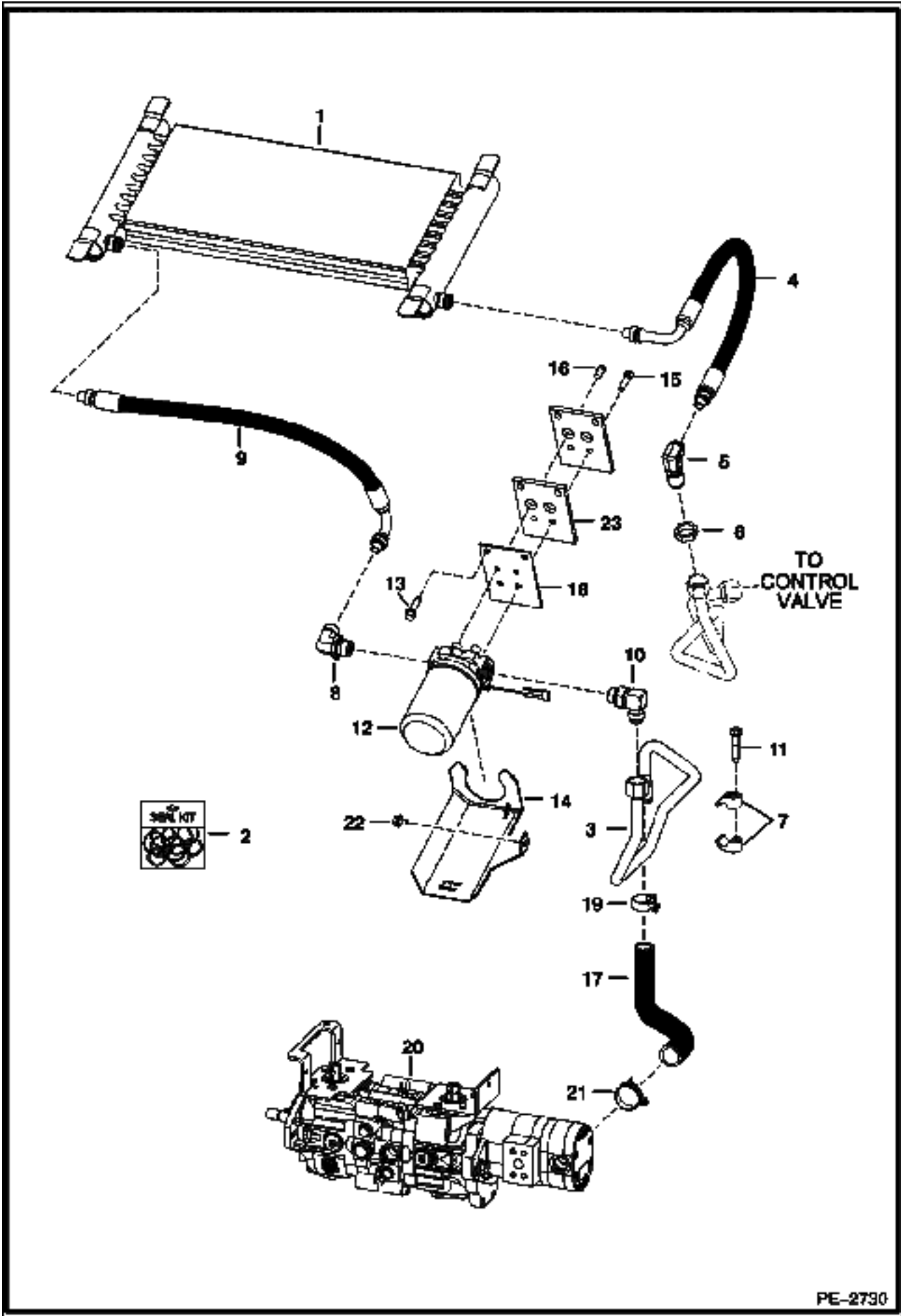


PE-2706

HYDROSTATIC CIRCUITRY (Cont'd)
Manual Hand Controls

Ref No	Part Number	Description	Remarks	Serial Number	Qty
47	7101860	HOSE			1
48	6624289	STA STRAP			3
49	6578209	TEE			1
49	79K000006B	O-RING			1

HYDROSTATIC CIRCUITRY Selective Joystick Controls

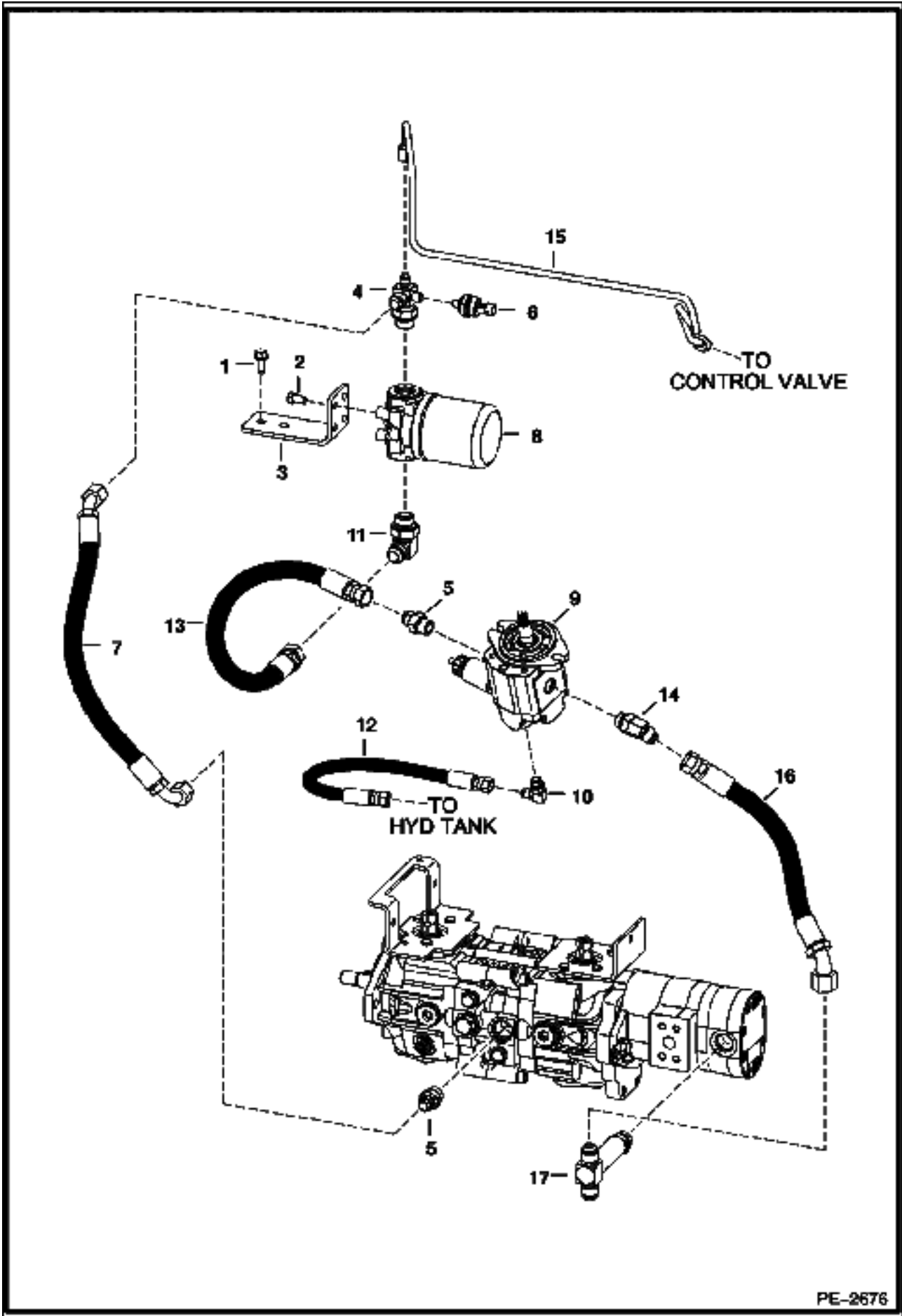


HYDROSTATIC CIRCUITRY (Cont'd)

Selective Joystick Controls

Ref No	Part Number	Description	Remarks	Serial Number	Qty
1	6736377	OIL COOLER			1
2	6674798	REPAIR KIT	For Ref. 4, 5 or 8 - includes internal retaining ring (1), back-up ring (1) & O-ring (1)		x
3	7113988	VALVE			1
4	6673828	HOSE			1
5	6670831	ELBOW			1
6	86F000008B	NUT			1
7	7100462	CLAMP			2
8	6681945	ELBOW			1
8	79K000012B	O-RING			1
9	6685625	HOSE			1
10	17KB01212B	ELBOW			1
10	79K000012B	O-RING			1
11	84G003732B	BOLT			1
12	6688385	HYD FILTER ASSY	See Illustration HYDROSTATIC OIL FILTER/ B16487		1
12	6661248	ELEMENT			1
13	84G003724B	BOLT			2
14	7111965	MOUNT	nylon filter drain		1
15	17C000616B	BOLT			2
16	17C000610B	BOLT			2
17	7113987	HOSE			1
18	7117103	MOUNT			1
19	5HM00035B	CLAMP			1
20		PUMP	See Illustration HYDROSTATIC PUMP/ MS2184		1
21	5HM00040B	CLAMP			1
22	84G003708B	BOLT			1

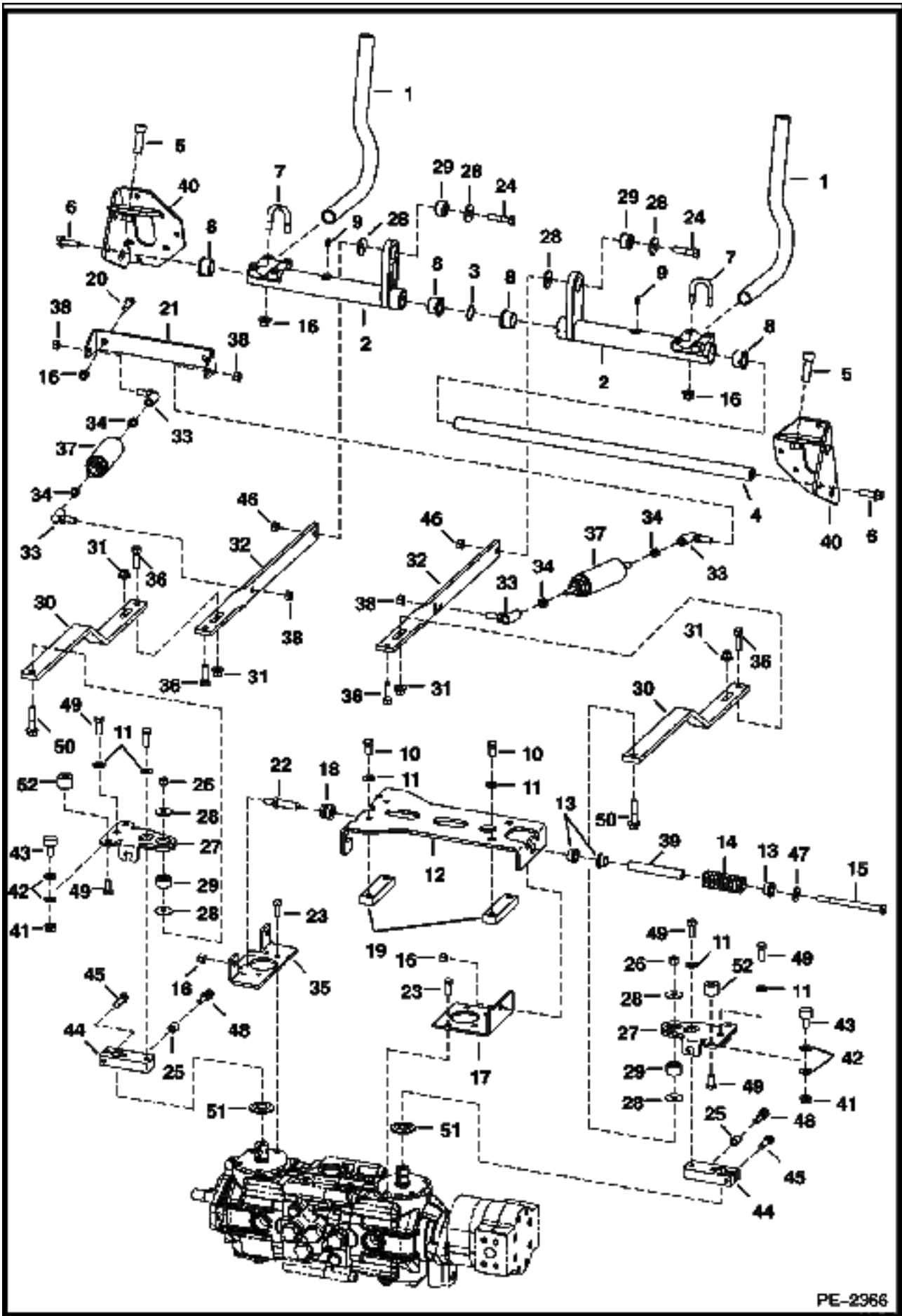
HYDROSTATIC CIRCUITRY (Cooling Fan)



PE-2676

Ref No	Part Number	Description	Remarks	Serial Number	Qty
1	84G003716B	BOLT			2
2	17C000612B	BOLT			4
3	7109279	BRACKET			1
4	7108976	TEE			1
4	79K000012B	O-RING			1
5	15KB01010B	ADAPTER			2
5	79K000010B	O-RING			2
6	6674316	SENSOR			1
7	7113986	HOSE			1
8	6687266	FILTER ASSY			1
8	6686926	ELEMENT FILTER			1
8	6660260	SWITCH			1
9	6687142	MOTOR	See Illustration MOTOR/ PE2811 See Illustration COOLING SYSTEM/ PE2673 W/proportional valve		1
9	6689058	MOTOR	W/O proportional valve		1
9	6689059	VALVE ASSY	proportional		1
9	6689060	COIL ASSY	W/nut & O-ring		1
9	6683206	SEAL KIT	for proportional valve		1
10	17KB00606B	ELBOW			1
10	79K000006B	O-RING			1
11	17KB01212B	ELBOW			1
11	79K000012B	O-RING			1
12	6815887	HOSE			1
13	7114072	HOSE			1
14	18KB01010B	ELBOW			1
14	79K000010B	O-RING			1
15	7109474	TUBE			1
16	7114490	HOSE			1
17	7114337	TEE			1
17	79K000012B	O-RING			1

HAND CONTROLS

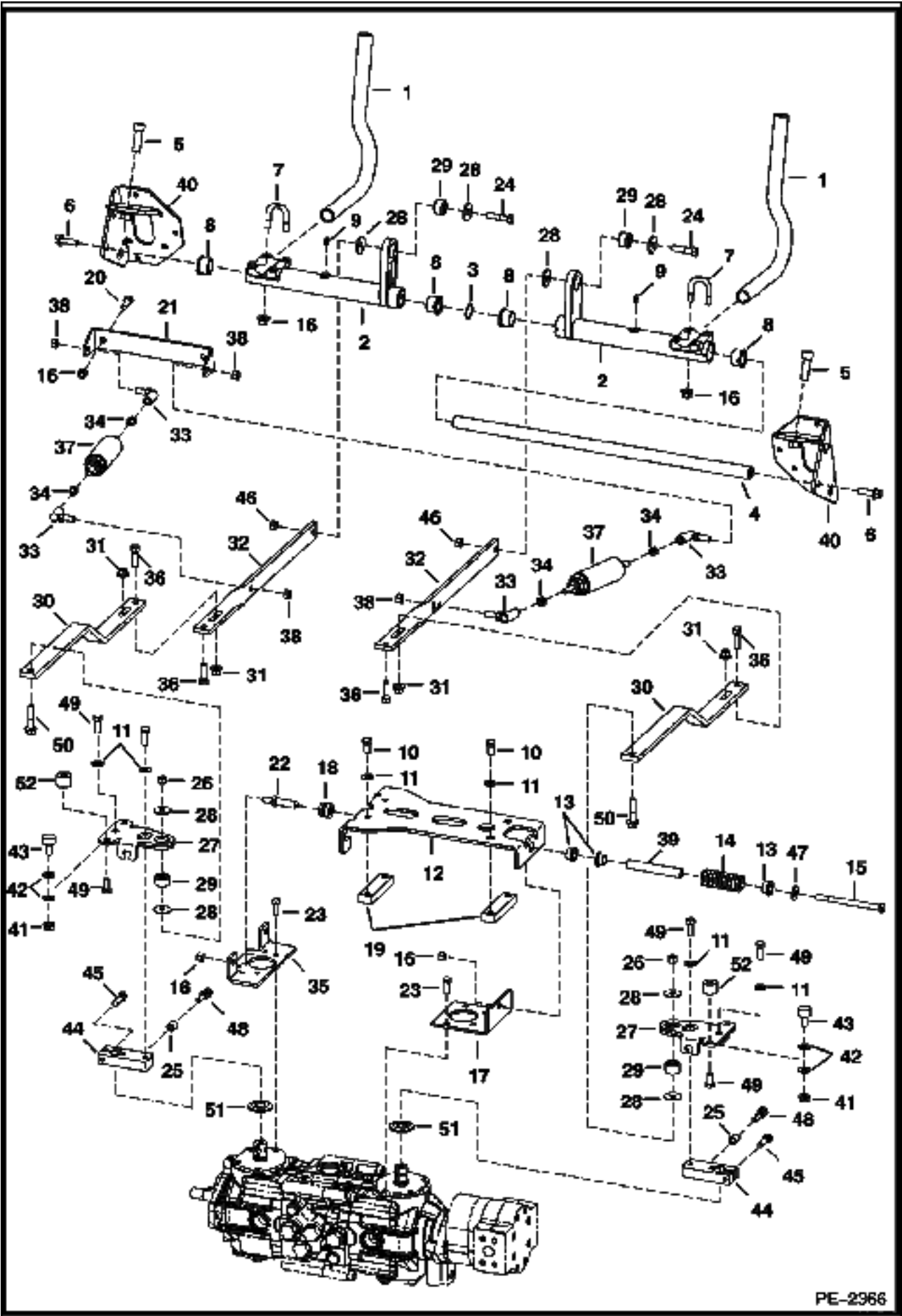


PE-2966

HAND CONTROLS (Cont'd)

Ref No	Part Number	Description	Remarks	Serial Number	Qty
1	6702543	LEVER			2
2		BELLCRANK	NAP - W/Notch for bushing tab - Use W/Ref. 9 (6518200 Grease Zerk) - Order 7110571 Bellcrank & Ref. 9 (10H000035B Grease Zerk) - Was 7101047 [A]		2
2	7110571	BELLCRANK	Use W/Ref. 9 (10H000035B Grease Zerk)		2
3	6599741	WASHER	wave		1
4	6716545	ROD			1
5	73G000824B	BOLT			2
6	45C000620B	BOLT			2
7	6732997	U-BOLT			4
8	6703879	BUSHING	W/tab		4
8	6673710	BEARING	needle - AHC		2
9	10H000035B	GREASE ZERK	threaded		2
9	6518200	GREASE ZERK	press fit		2
10	7105192	BOLT			4
11	7103271	WASHER			8
12	6734298	MOUNT			1
13	6715163	BUSHING			3
14	6701535	SPRING			1
15	17C000680B	BOLT			1
16	91D000006B	NUT			18
17	6734742	BRACKET			1
18	6706098	GUIDE			2
19	6702716	BLOCK			2
20	17C000612B	BOLT			2
21	7100795	MOUNT			1
22	6577058	PIN			2
23	1CM00820B	BOLT			8
24	17C000628B	BOLT			4
25	7105223	SPACER			2
26	63D000006B	NUT			2
27	7110365	PINTLE ARM			2
28	6737388	WASHER			8
29	6685060	BUSHING			4
30	6735253	LINK			2
31	83D000006B	NUT			4
32	7107986	LINK			2
33	6599744	BALL JOINT			4
34	8D000006B	NUT			4
35	6685345	BRACKET			1
36	17C000620B	BOLT			4
37	6649551	SHOCK			2
38	62D000006B	NUT			4
39	6715164	SLEEVE			1
40	6733022	BRACKET	R.H.		1
40	6733024	BRACKET	L.H.		1
41	98D000006B	NUT	AHC		4
42	7100699	WASHER	AHC		4
43	6673789	BEARING	ROLLER - AHC		4
44	7103708	BRACKET	centering		2
45	73G624	BOLT			2
46	53D000006B	NUT			2
47	6563914	WASHER			1
48	7103711	BOLT			2
49	7105193	BOLT			4
50	49C000628B	BOLT			2

HAND CONTROLS (Cont'd)

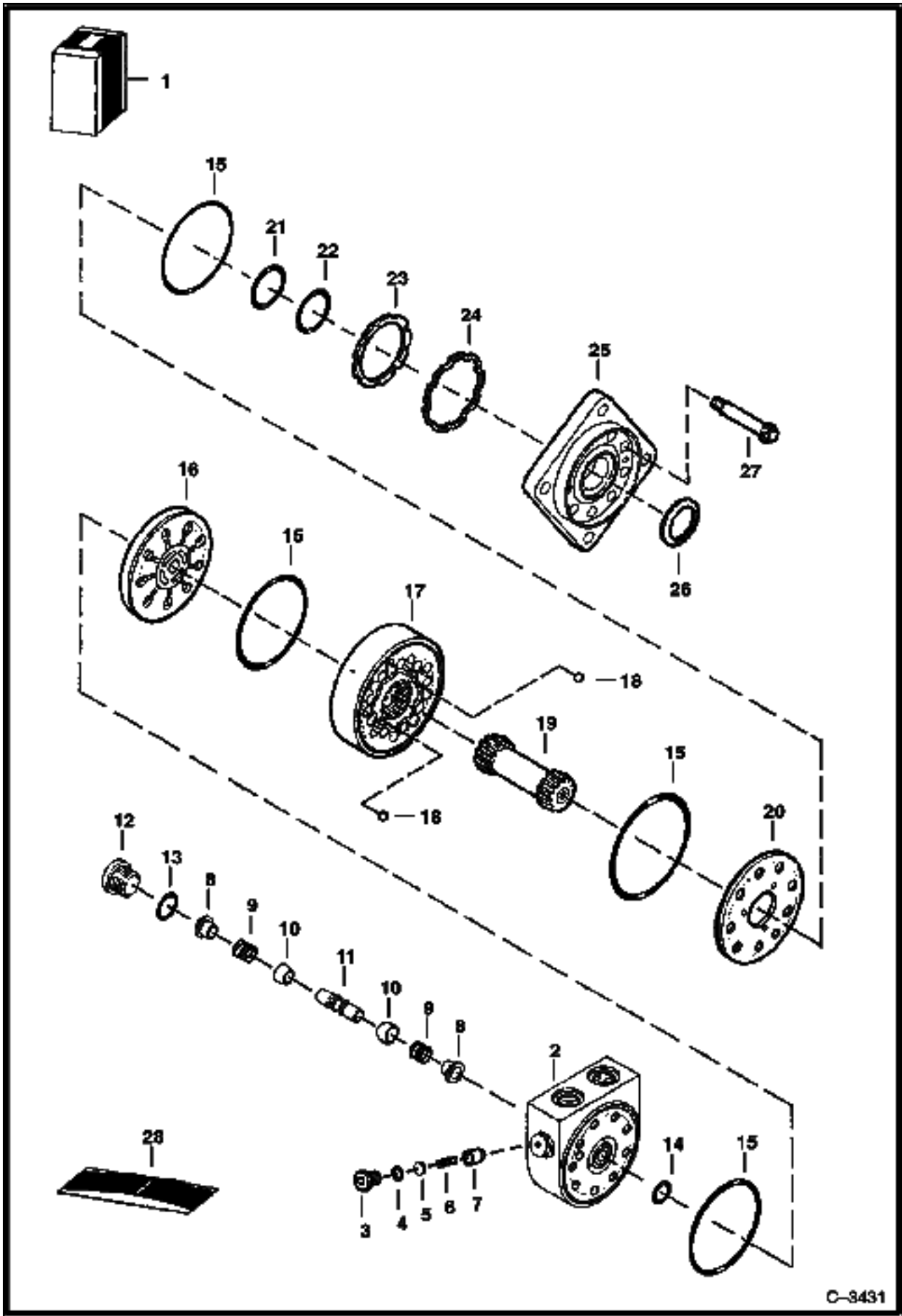


PE-2966

HAND CONTROLS (Cont'd)

Ref No	Part Number	Description	Remarks	Serial Number	Qty
51	6687913	SEAL	dust		2
52	6711643	CAM			4

HYDROSTATIC MOTOR

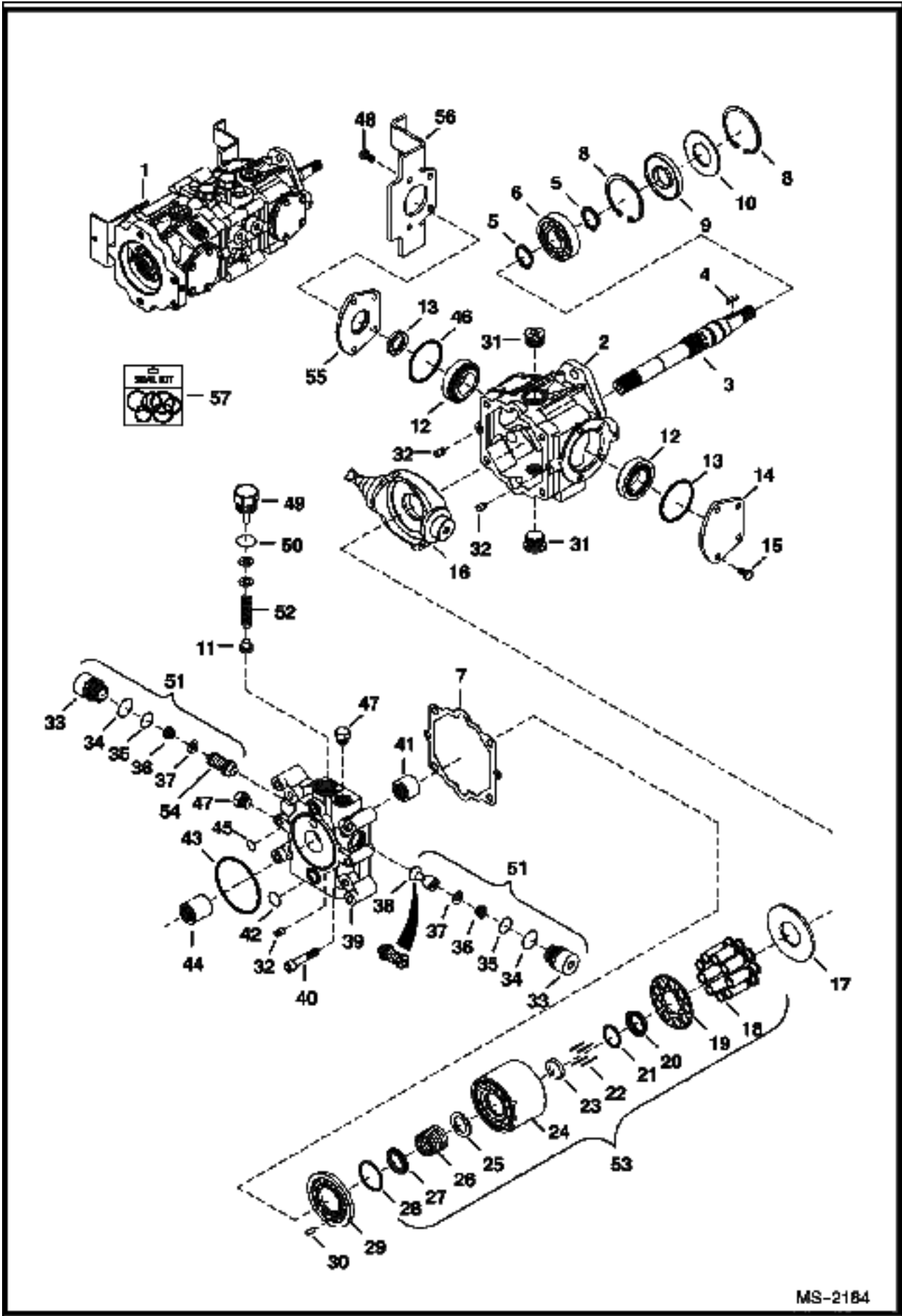


C-3431

HYDROSTATIC MOTOR (Cont'd)

Ref No	Part Number	Description	Remarks	Serial Number	Qty
1	6682034	MOTOR	Ref. 2-27		1
2	6685063	HOUSING	W/Ref. 3-7		1
3	6668079	PLUG	W/Ref. 4		1
4	79K000005B	O-RING			1
5	6668080	SHIM			x
6	6688521	SPRING			1
7	6685064	POPPET			1
8	6685065	SHUTTLE			2
9	6513533	SPRING			2
10	6513532	POPPET			2
11	6685066	PISTON	shuttle - W/ flat - fast acting		1
12	6668089	PLUG	W/Ref. 13		1
13	79K000006B	O-RING			1
14	6669452	O-RING			1
15	6678000	SEAL			4
16	6678001	PLATE	valve		1
17	6685067	GEROLER			1
18	6651542	BALL			2
19	6682862	SHAFT, DRIVE			1
20	6678003	PLATE	balance - upper		1
20	6678004	PLATE	balance - lower		1
21	6678006	BACK-UP RING	backup		1
22	6682860	O-RING			1
23	6682897	SEAL			1
24	6685069	RING, BACK-UP	backup		1
25	6685068	FLANGE	mounting		1
26	6664815	SEAL			1
27	6682863	BOLT			9
28	6685070	KIT, SEAL COMPLETE	W/Ref. 4, 13-15, 21-23 & 26		1

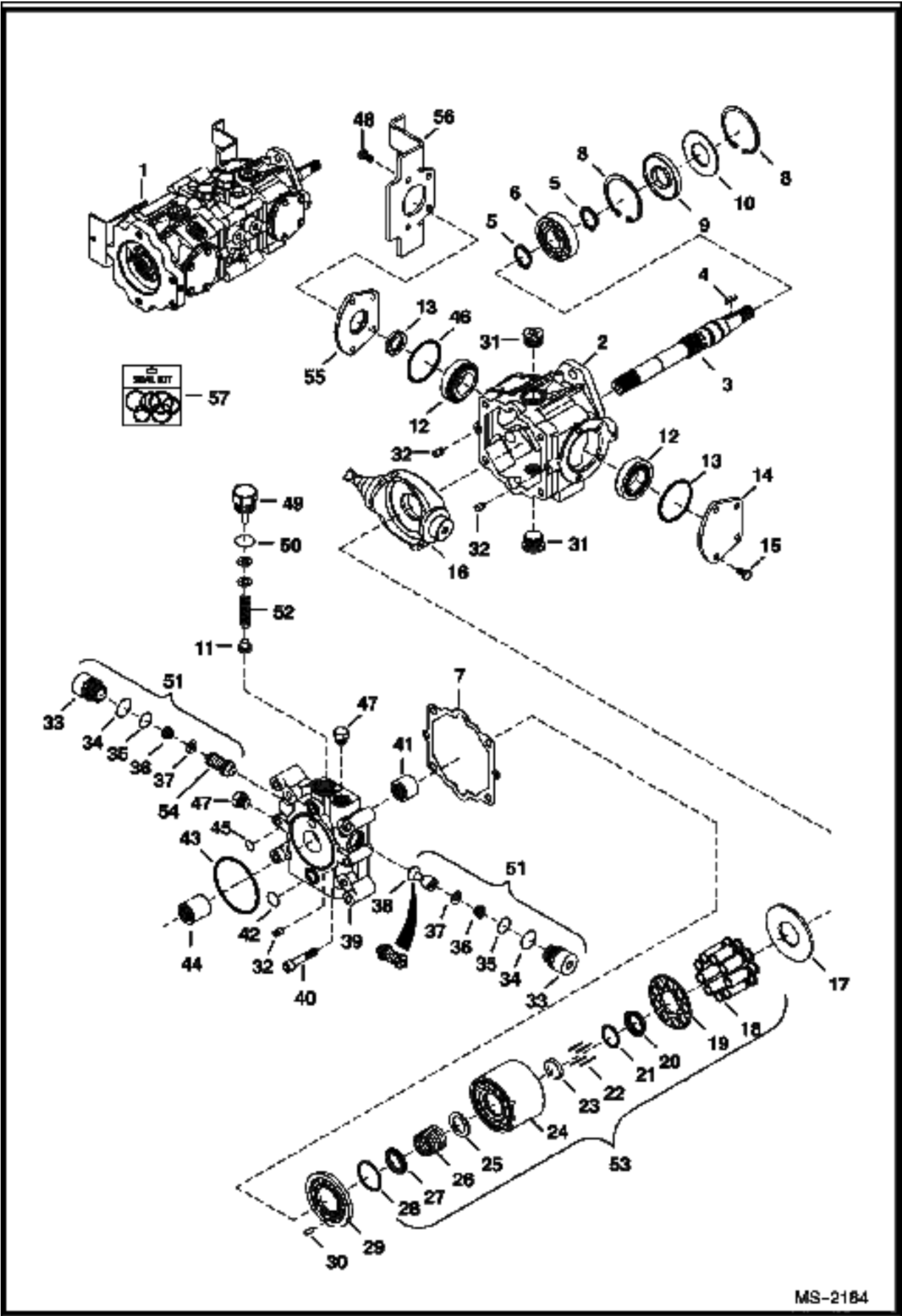
**HYDROSTATIC PUMP
Manual Hand Controls**



HYDROSTATIC PUMP (Cont'd) Manual Hand Controls

Ref No	Part Number	Description	Remarks	Serial Number	Qty
1	6687863	PUMP	Model 4445203		1
2	6669402	HOUSING			1
3	6682260	SHAFT	W/square key		1
4	6682261	KEY			1
5	658128B	SNAP RING			2
6	654299B	BEARING			1
7	6650634	GASKET			1
8	669863B	SNAP RING			2
9	6687191	SEAL			1
10	6669409	WASHER			1
11	6650652	POPPET	Charge relief		1
12	6669411	BEARING			2
13	6660814	O-RING			2
14	6657068	COVER			2
15	6650668	BOLT			4
16	6685344	SWASH PLATE	W/threaded shaft hole		1
17	6650627	PLATE			1
18		PISTON ASSY	NAP - Order Ref. 53		1
19		RETAINER	NAP - Order Ref. 53		1
20		RETAINER	NAP - guide - Order Ref. 53		1
21	6666338	WASHER			1
22	6650629	PIN			4
23	6650630	RETAINER			1
24		BLOCK	NAP - Order Ref. 53		1
25		WASHER	NAP - Order Ref. 53		1
26		SPRING	NAP - Order Ref. 53		1
27		WASHER	NAP - Order Ref. 53		1
28		WASHER	NAP - Order Ref. 53		1
29	6687774	PLATE			1
30	6650636	PIN			1
31	47K000008B	PLUG			2
31	79K000012B	O-RING			2
32	6675342	PIN			4
33		PLUG	NAP - Order Ref. 51		2
34	6657028	O-RING			2
35	79K000008B	O-RING			2
36		SPRING	NAP - Order Ref. 51		2
37		RETAINER	NAP - Order Ref. 51		2
38		CHECK VALVE	NAP - poppet - Order Ref. 51		1
39	6669406	END PLATE			1
40	6650637	BOLT			4
41	6650635	BEARING			1
42	6650647	O-RING			1
43	6673884	O-RING			1
44	6650675	COUPLER			1
45	6650646	O-RING			1
46	6678226	SEAL			1
47	6645086	PLUG			2
47	6661481	O-RING			1
48	6671518	BOLT			4
49	6650648	PLUG	Charge relief - W/Ref. 50		1
50	79K000010B	O-RING			1
51	6689601	VALVE			1
52	6684038	SPRING			1

HYDROSTATIC PUMP (Cont'd)
Manual Hand Controls

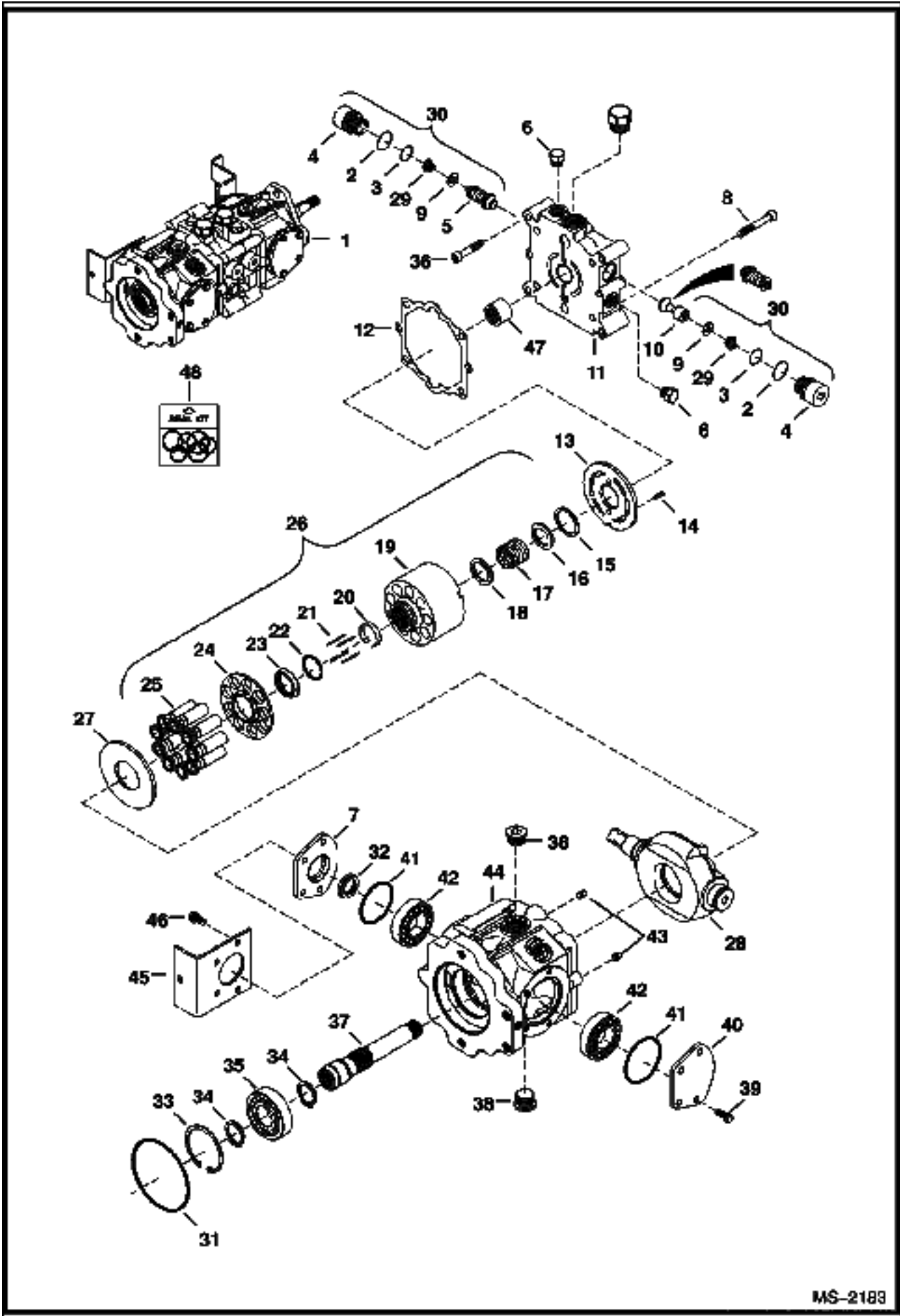


MS-2184

**HYDROSTATIC PUMP (Cont'd)
Manual Hand Controls**

Ref No	Part Number	Description	Remarks	Serial Number	Qty
53	6671512	BLOCK ASSY			1
54		RELIEF VALVE	NAP - 5000 PSI (345 bar)- Order Ref. 51		1
55	6657067	COVER	W/Ref. 46		1
56	6685345	BRACKET			1
57	6671516	SEAL KIT	Ref. 7, 9, 13, 34, 35, 42, 43, 45, 46 & 50 - Also includes Ref. 2, 3, 12, 31 & 41 on next page		1

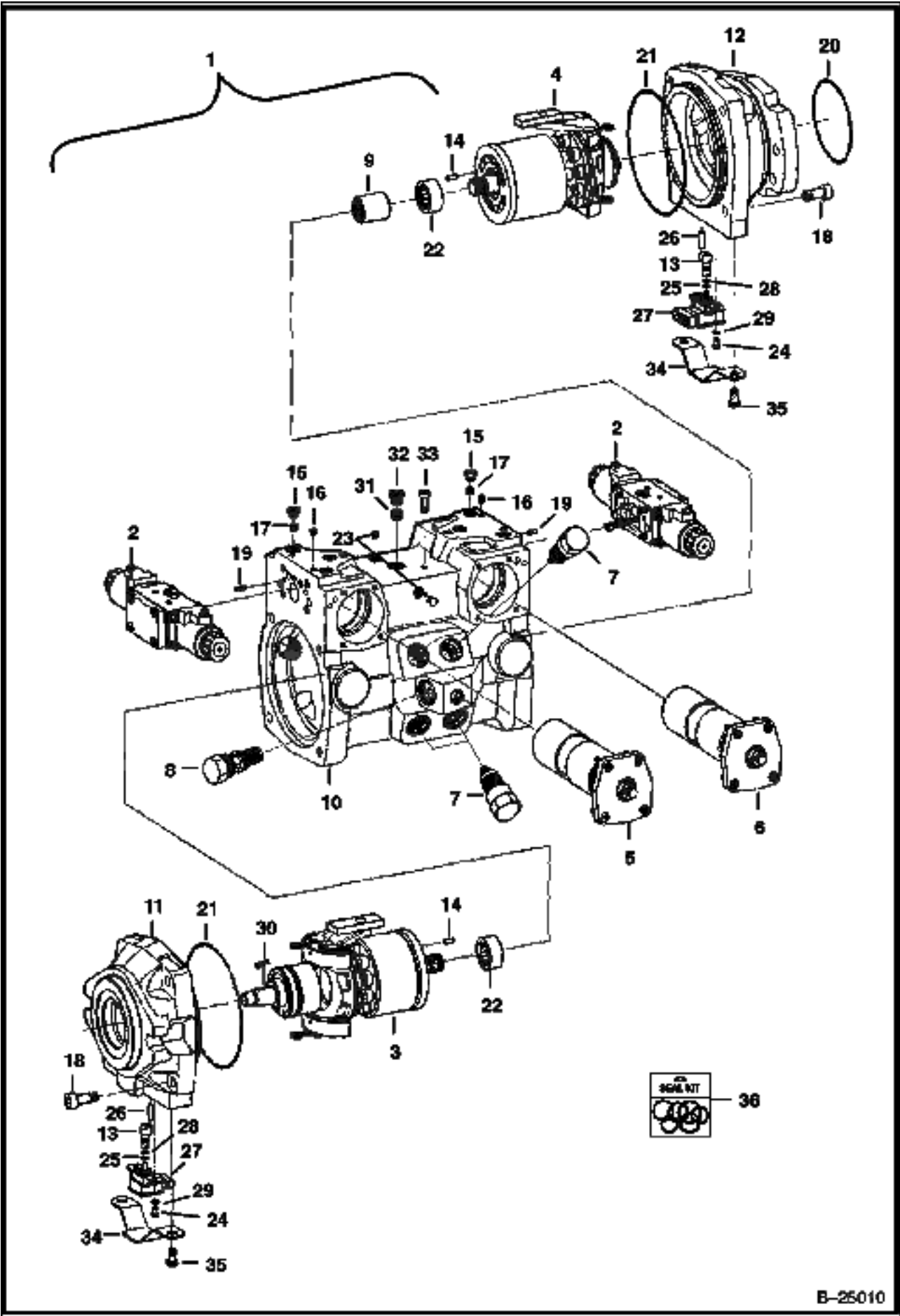
**HYDROSTATIC PUMP
Manual Hand Controls**



MS-2183

HYDROSTATIC PUMP (Cont'd) Manual Hand Controls

Ref No	Part Number	Description	Remarks	Serial Number	Qty
1	6687863	PUMP	Model 4445203		1
2	6657028	O-RING			2
3	79K000008B	O-RING			2
4		PLUG	NAP - Order Ref. 30		2
5		RELIEF VALVE	NAP - 5000 PSI (345 bar)- Order Ref. 30		2
6	6645086	PLUG			4
7	6657067	COVER	W/Ref. 32		1
8	6650637	BOLT			2
9		RETAINER	NAP - Order Ref. 30		4
10		CHECK VALVE	NAP - poppet - Order Ref. 30		1
11	6669405	END CAP			1
12	6650634	GASKET			1
13	6687773	PLATE			1
14	6650636	PIN			2
15		RETAINER	NAP - Order Ref. 26		1
16		WASHER	NAP - Order Ref. 26		1
17		SPRING	NAP - Order Ref. 26		1
18		WASHER	NAP - Order Ref. 26		1
19		BLOCK	NAP - Order Ref. 26		1
20	6650630	RETAINER			1
21	6650629	PIN			4
22	6666338	WASHER			1
23		RETAINER	NAP - Order Ref. 26		1
24		RETAINER	NAP - Order Ref. 26		1
25		PISTON ASSY	NAP - Order Ref. 26		1
26	6671512	BLOCK ASSY			1
27	6650627	PLATE			1
28	6685344	SWASH PLATE	W/threaded shaft hole		1
29		SPRING	NAP - Order Ref. 30		2
30	6689601	VALVE			2
31	6671520	O-RING			1
32	6678226	SEAL			1
33	669863B	SNAP RING			1
34	658128B	SNAP RING			2
35	654299B	BEARING			1
36	6652018	BOLT			4
37	6682264	SHAFT			1
38	47K000008B	PLUG			1
38	79K000012B	GEAR PUMP			2
39	6650668	BOLT			4
40	6657068	COVER			1
41	6660814	O-RING			2
42	6669411	BEARING			2
43	6675342	PIN			2
44	6689602	HOUSING			1
45	6685346	BRACKET			1
46	6650668	BOLT			4
47	6650635	BEARING			1
48	6671516	SEAL KIT	Ref. 2, 3, 12, 31 & 41 - Also includes Ref. 7, 9, 13, 34, 35, 42, 43, 45, 46 & 50 on previous page		1

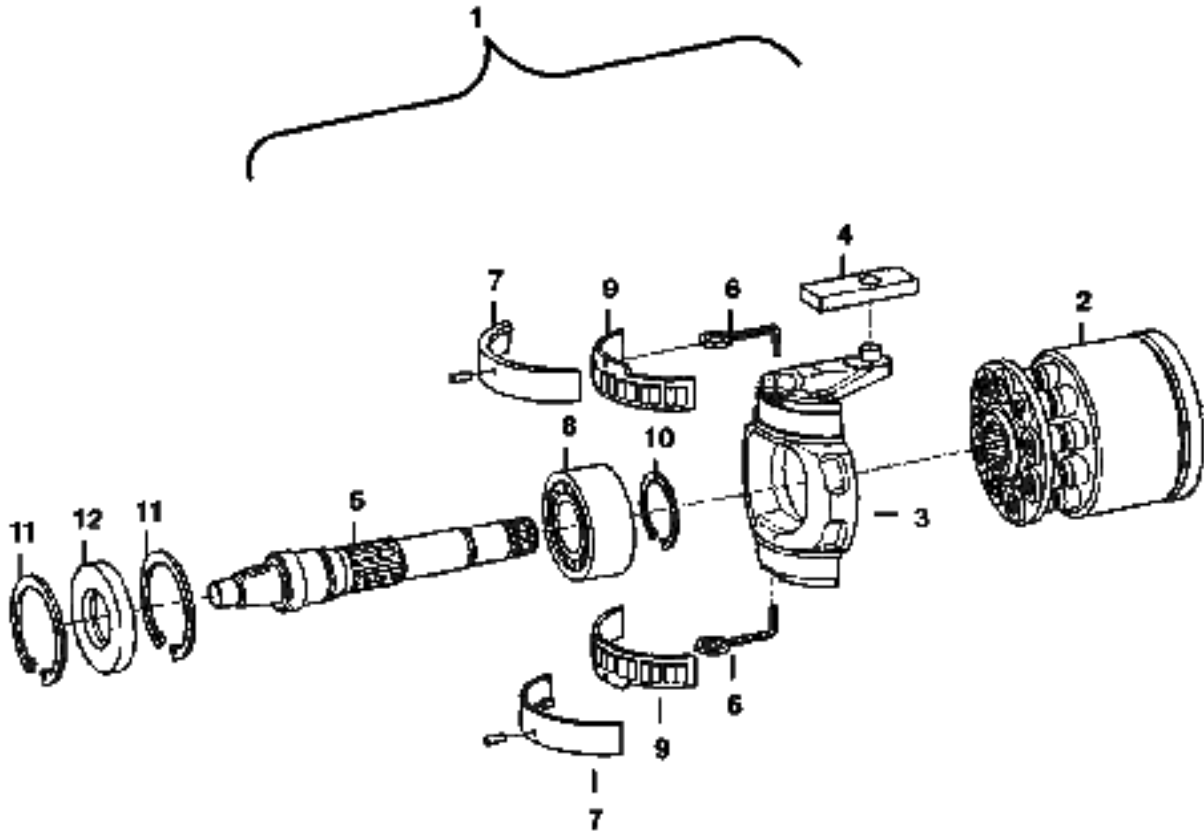


B-25010

HYDROSTATIC PUMP (Cont'd) (Selectable Joystick Controls)

Ref No	Part Number	Description	Remarks	Serial Number	Qty
1	6686267	PUMP			1
2	6687970	MODULATOR			2
3	6687957	GROUP	L.H. rotation		1
4	6687958	GROUP	R.H. rotation		1
5	6687960	CONTROL			1
6	6687961	CONTROL			1
7	6687924	VALVE			4
8	6687938	VALVE			1
9	6687941	COUPLER			1
10	6687964	HOUSING			1
11	6687973	FLANGE			1
12	6687974	FLANGE			1
13	6687965	SHAFT			2
14	6688011	PIN			2
15	6688016	SCREW			11
16	6688039	PIN			3
17	6688020	ORIFICE			4
18	6688008	SCREW			8
19	6686934	PIN			2
20	6688019	SEAL			1
21	6688009	SEAL			2
22	6688040	BEARING			2
23	6687932	PIN			2
24	6687994	SCREW			4
25	6687990	RING			2
26	6688014	PIN			2
27	6687984	SENSOR			2
28	6688007	SEAL			2
29	6687998	SHIM			4
30	6687991	KEY			1
31	6687988	FILTER			1
32	6688015	SCREW			1
33	6687992	SCREW			1
34	6687993	COVER			2
35	6688003	SCREW			4
36	6689021	SEAL KIT	complete		1

HYDROSTATIC PUMP (Rotary Group - L.H.) (Selectable Jovstick Controls)

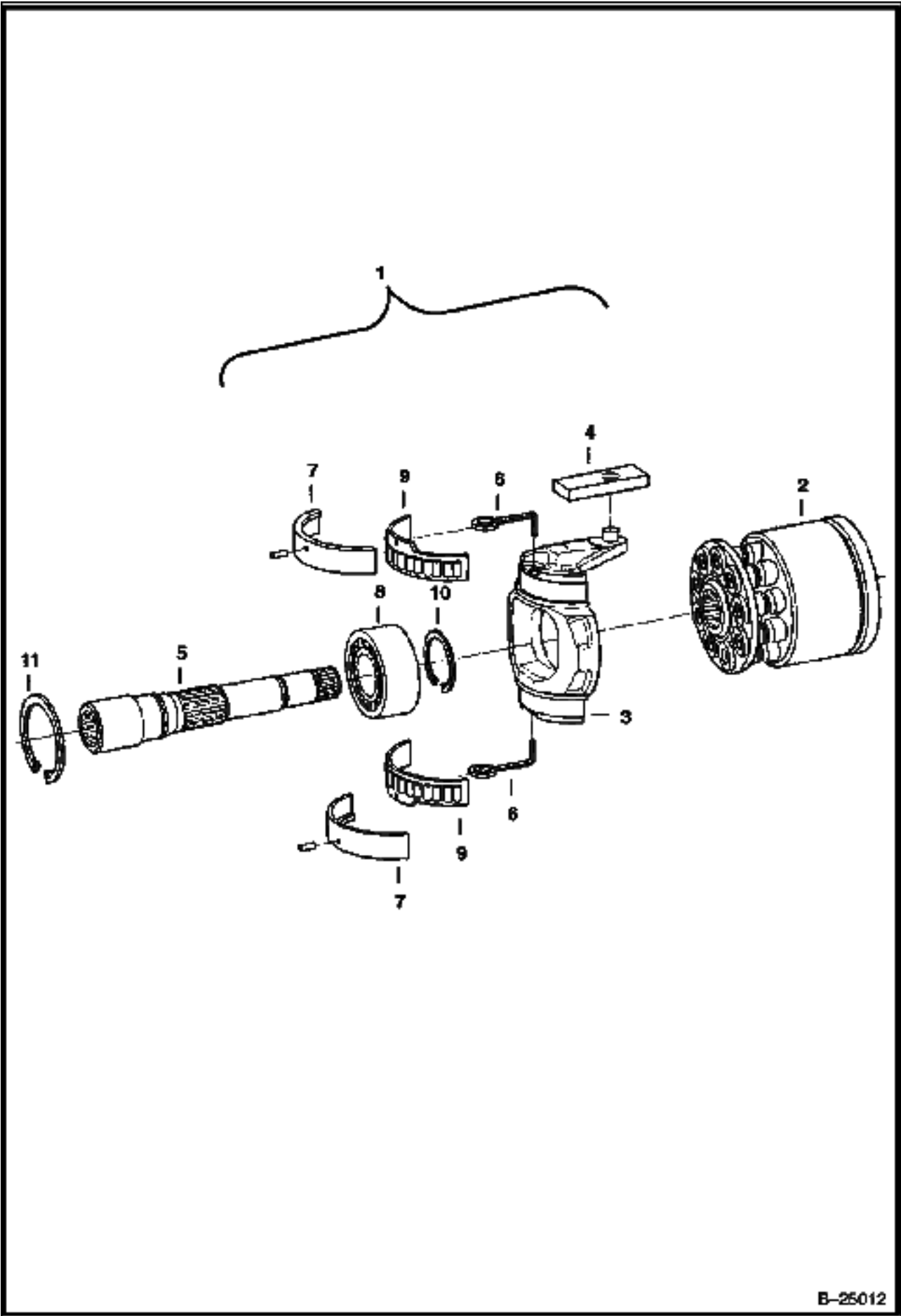


B-25011

HYDROSTATIC PUMP (Cont'd)
(Rotary Group - L.H.)
(Selectable Jovstick Controls)

Ref No	Part Number	Description	Remarks	Serial Number	Qty
1	6687957	GROUP	L.H. rotation		1
2	6687977	GROUP			1
2	6687979	GROUP			1
2	6687976	PLATE			1
3	6687951	BRACKET			1
4	6687940	RING			1
5	6687959	SHAFT			1
6	6687930	WIRE			2
7	6687956	BEARING			1
8	6688018	BEARING			1
9	6687987	BEARING			1
10	6687999	RING			1
11	6688042	RING			2
12	6688038	RING			1

**HYDROSTATIC PUMP
(Rotary Group - R.H.)
(Selectable Jovstick Controls)**

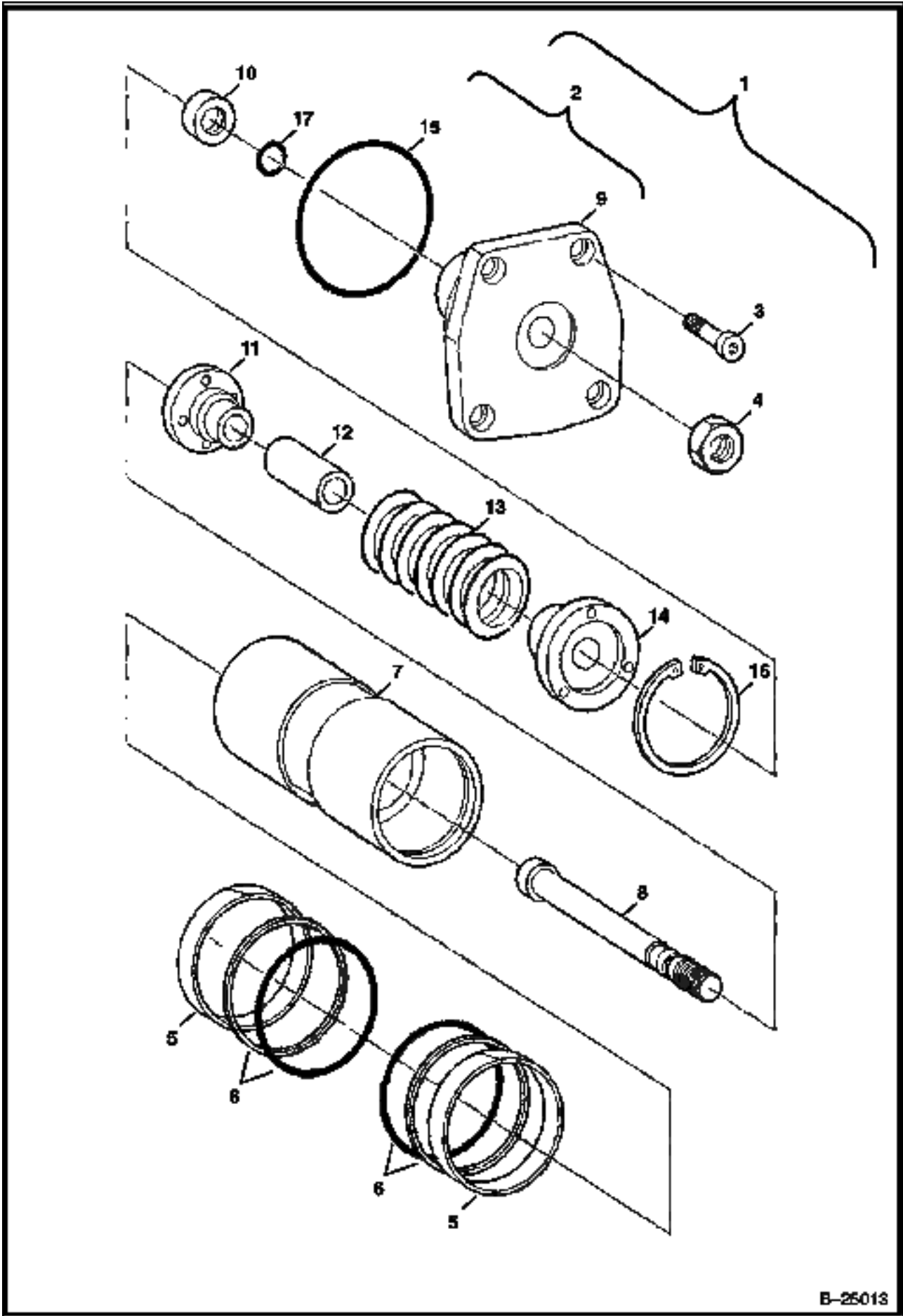


B-25012

HYDROSTATIC PUMP (Cont'd)
(Rotary Group - R.H.)
(Selectable Jovstick Controls)

Ref No	Part Number	Description	Remarks	Serial Number	Qty
1	6687958	GROUP	R.H. rotation		1
2	6687978	GROUP			1
2	6687979	GROUP			1
2	6687975	PLATE			1
3	6687951	BRACKET			1
4	6687940	RING			1
5	6687943	SHAFT			1
6	6687930	WIRE			2
7	6687956	BEARING			1
8	6688018	BEARING			1
9	6687987	BEARING			1
10	6687999	RING			1
11	6688042	RING			2

**HYDROSTATIC PUMP
(Control)
(Selectable Jovstick Controls)**

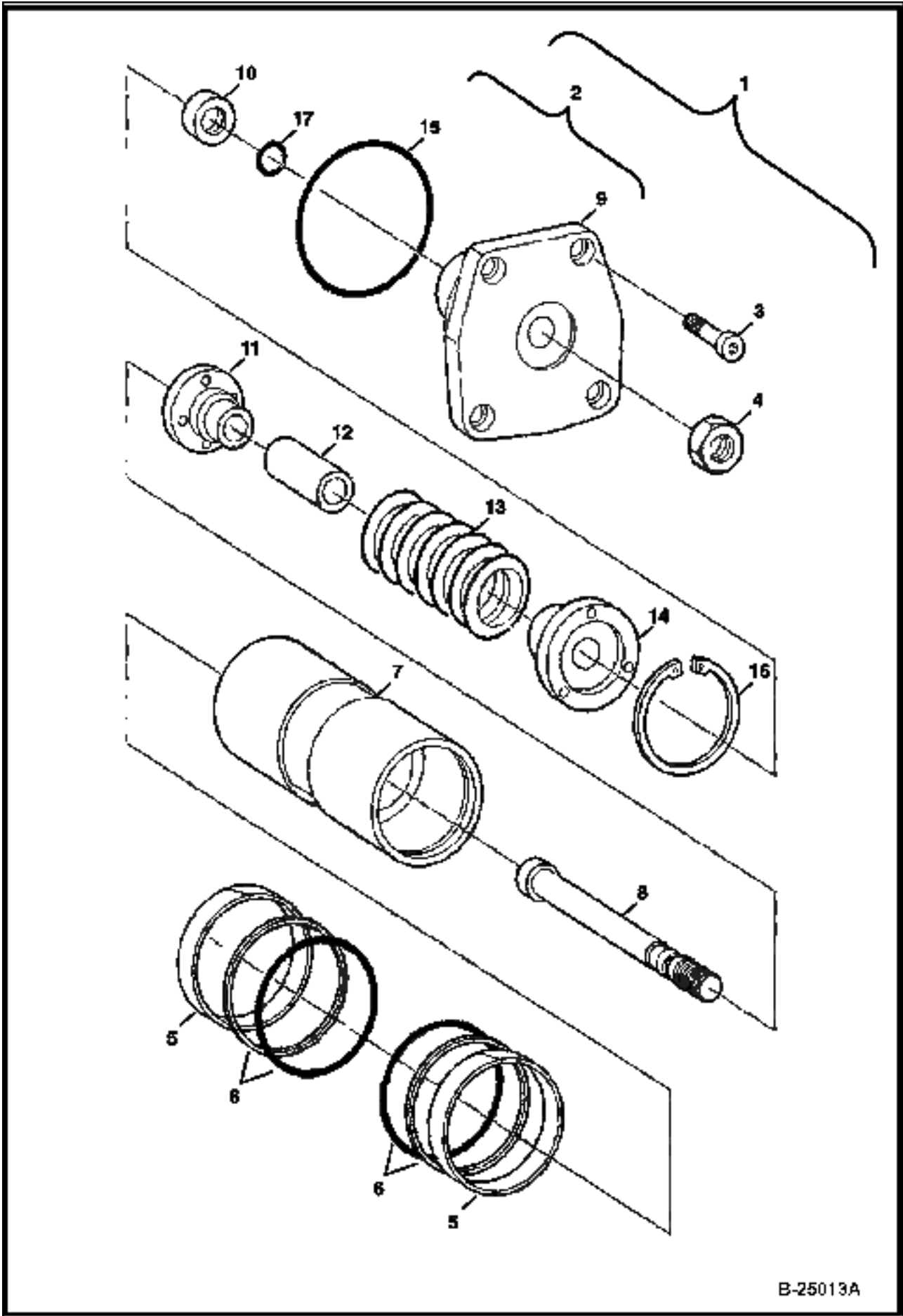


B-25013

HYDROSTATIC PUMP (Cont'd)
(Control)
(Selectable Jovstick Controls)

Ref No	Part Number	Description	Remarks	Serial Number	Qty
1	6687960	CONTROL			1
2	6687962	PISTON			1
3	6687995	SCREW			4
4	6674907	NUT			1
5	6687985	RING			2
6	6687986	KIT			2
7	6687953	PISTON			1
8	6688031	ROD			1
9	6688024	COVER			1
10	6688037	RING	6,70 mm		1
10	6688036	RING	6,75 mm		1
10	6688035	RING	6,80 mm		1
10	6688025	RING	6,85 mm		1
10	6688026	RING	6,90 mm		1
10	6688027	RING	6,95 mm		1
10	6688028	RING	7,00 mm		1
10	6688029	RING	7,05 mm		1
10	6688030	RING	7,10 mm		1
11	6687926	COLLAR			1
12	6688033	SPACER	54,60 cm		1
12	6687942	SPACER	54,65 cm		1
12	6688032	SPACER	54,70 cm		1
12	6687948	SPACER	54,75 cm		1
12	6687949	SPACER	54,80 cm		1
13	6687928	SPRING			1
14	6687927	COLLAR			1
15	6688005	SEAL			1
16	6688002	RING			1
17	6688006	SEAL			1

**HYDROSTATIC PUMP
(Control)
(Selectable Jovstick Controls)**

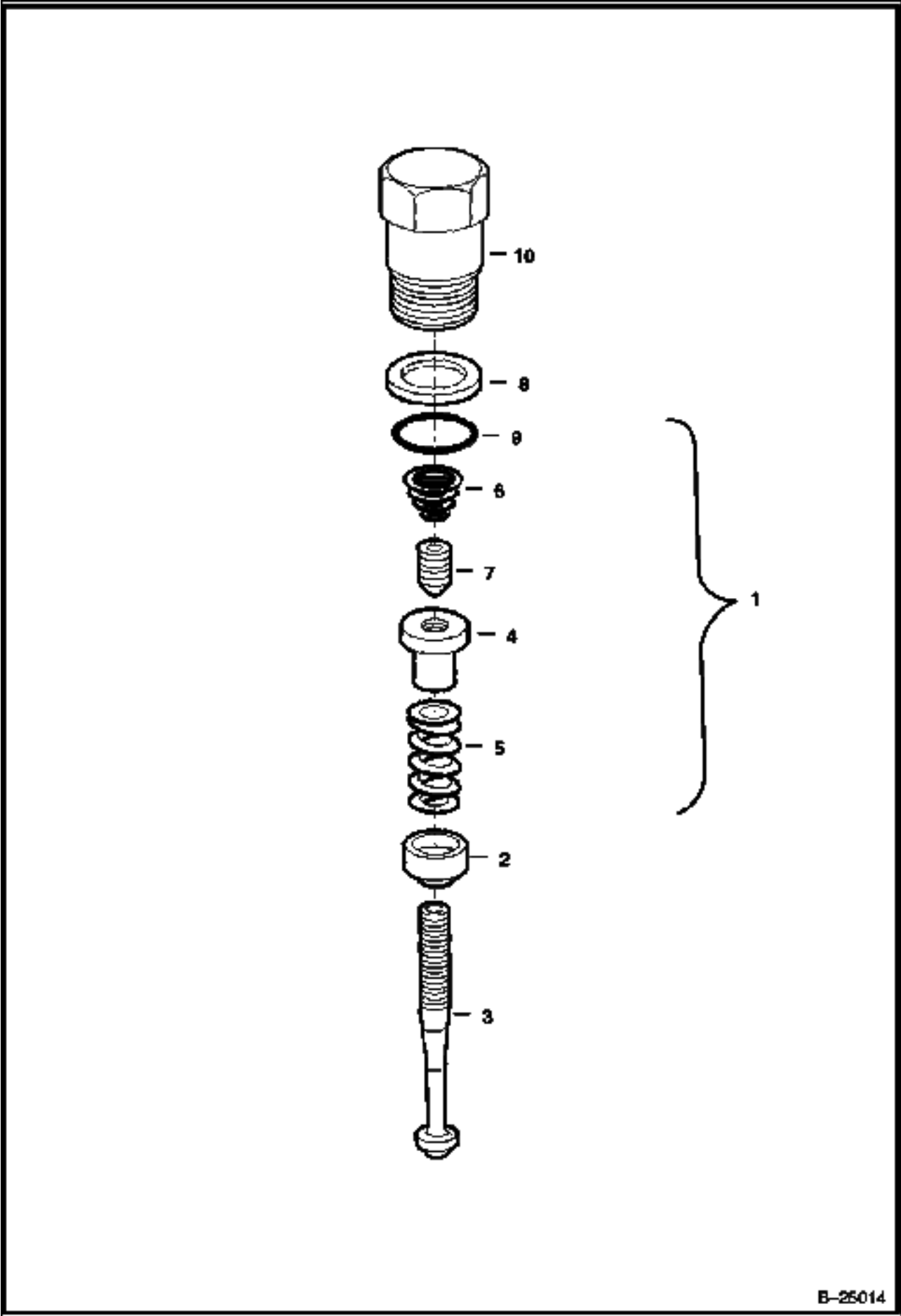


B-25013A

HYDROSTATIC PUMP (Cont'd)
(Control)
(Selectable Jovstick Controls)

Ref No	Part Number	Description	Remarks	Serial Number	Qty
1	6687961	CONTROL			1
2	6687963	PISTON			1
3	6687995	SCREW			4
4	6674907	NUT			1
5	6687985	RING			2
6	6687986	KIT			2
7	6687953	PISTON			1
8	6688031	ROD			1
9	6688024	COVER			1
10	6688037	RING	6,70 mm		1
10	6688036	RING	6,75 mm		1
10	6688035	RING	6,80 mm		1
10	6688025	RING	6,85 mm		1
10	6688026	RING	6,90 mm		1
10	6688027	RING	6,95 mm		1
10	6688028	RING	7,00 mm		1
10	6688029	RING	7,05 mm		1
10	6688030	RING	7,10 mm		1
11	6687926	COLLAR			1
12	6688033	SPACER	54,60 cm		1
12	6687942	SPACER	54,65 cm		1
12	6688032	SPACER	54,70 cm		1
12	6687948	SPACER	54,75 cm		1
12	6687949	SPACER	54,80 cm		1
13	6687928	SPRING			1
14	6687927	COLLAR			1
15	6688005	SEAL			1
16	6688002	RING			1
17	6688006	SEAL			1

**HYDROSTATIC PUMP
(Pressure Relief Valve)
(Selectable Jovstick Controls)**

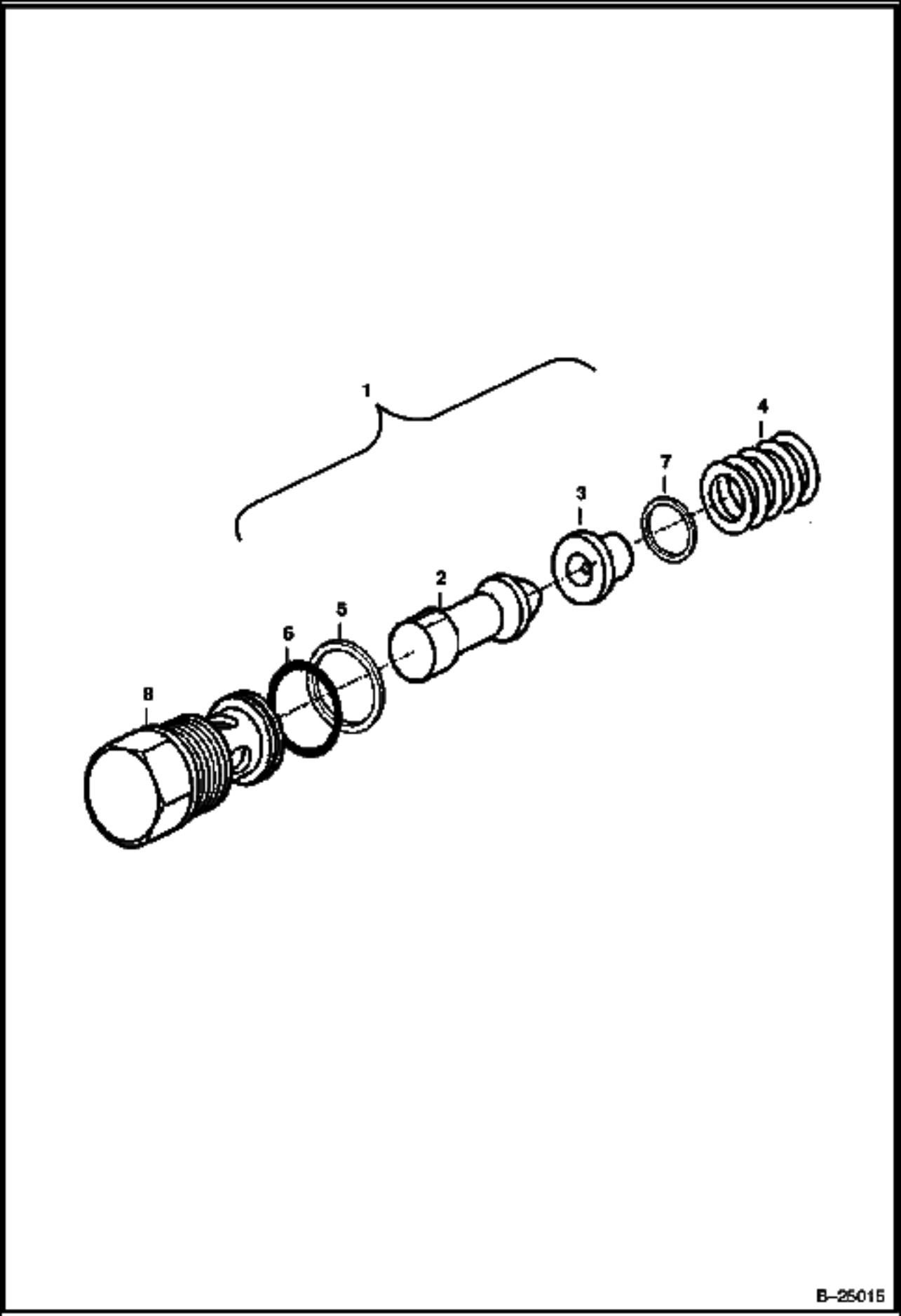


B-25014

HYDROSTATIC PUMP (Cont'd)
(Pressure Relief Valve)
(Selectable Jovstick Controls)

Ref No	Part Number	Description	Remarks	Serial Number	Qty
1	6687924	VALVE			1
2	6687921	COLLAR			1
3	6687920	SPINDLE			1
4	6687922	NUT			1
5	6688043	SPRING			1
6	6688021	SPRING			1
7	6687923	PIN			1
8	6688041	RING			1
9	6688000	SEAL			1
10	6688034	SCREW			1

**HYDROSTATIC PUMP
(Pressure Relief Valve)
(Selectable Jovstick Controls)**

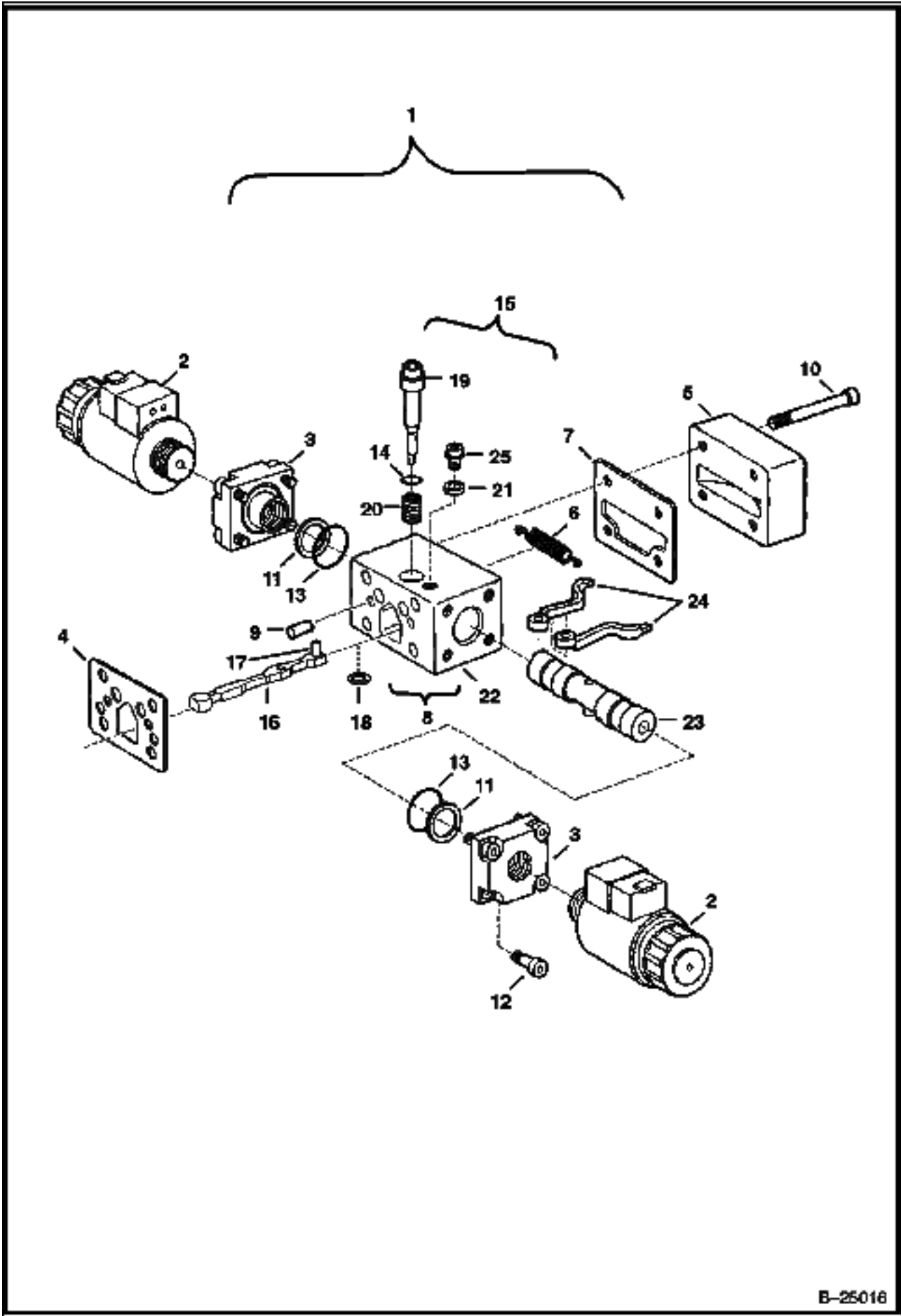


B-25015

HYDROSTATIC PUMP (Cont'd)
(Pressure Relief Valve)
(Selectable Jovstick Controls)

Ref No	Part Number	Description	Remarks	Serial Number	Qty
1	6687938	VALVE			1
2	6688022	PISTON			1
3	6687919	COLLAR			1
4	6688023	SPRING			1
5	6687983	RING			1
6	6688013	SEAL			1
7	6688017	SHIM			1
8	6687939	SCREW			1

**HYDROSTATIC PUMP
(Control Module)
(Selectable Jovstick Controls)**

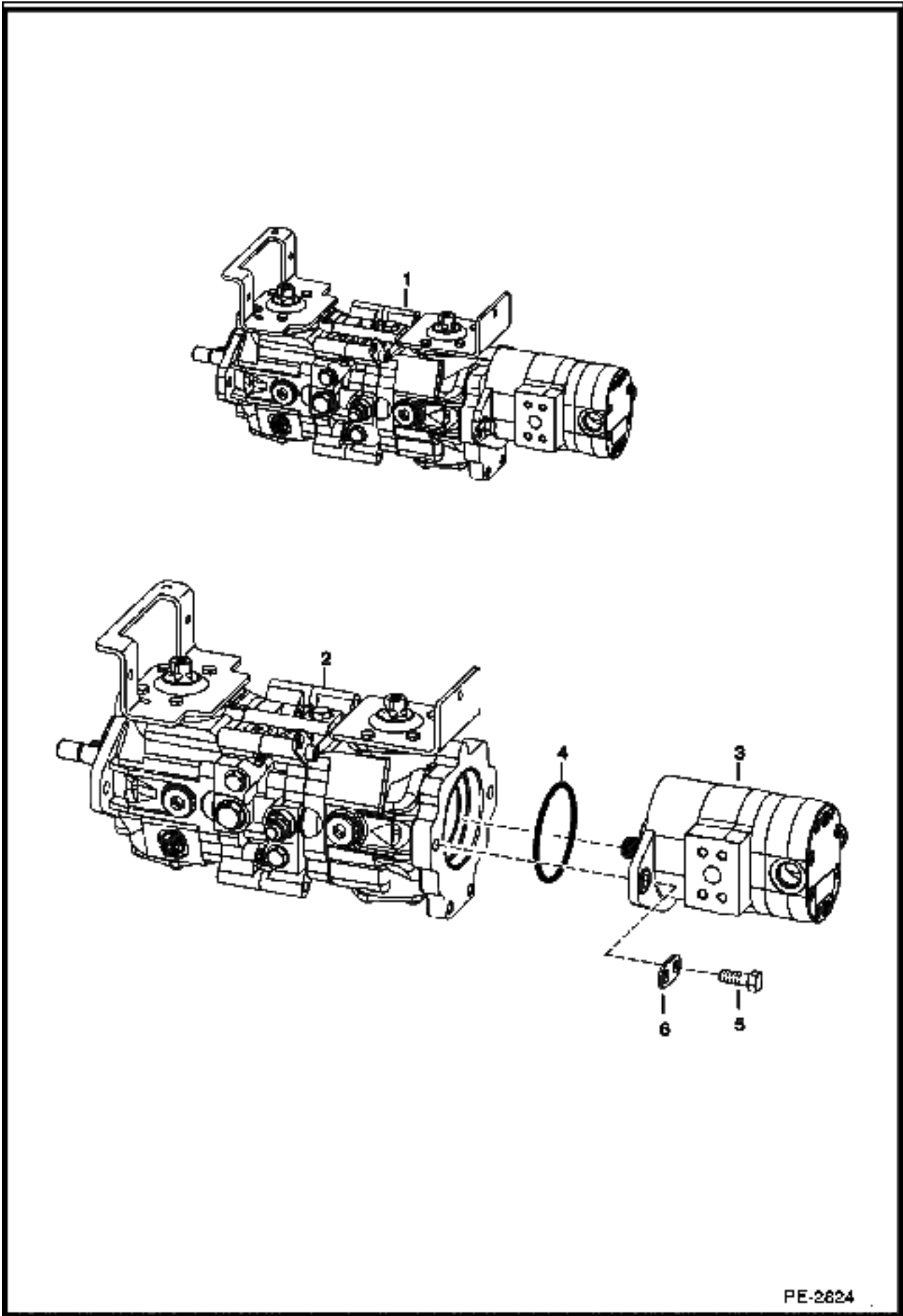


B-25016

HYDROSTATIC PUMP (Cont'd)
(Control Module)
(Selectable Jovstick Controls)

Ref No	Part Number	Description	Remarks	Serial Number	Qty
1	6687970	MODULATOR			2
2	6687989	SOLENOID			2
3	6687931	BUSHING			2
4	6687954	GASKET			1
5	6687969	COVER			1
6	6687967	SPRING			1
7	6687950	GASKET			1
8	6687972	MODULE	Ref. 15-18		1
9	6688010	PIN			2
10	6687996	SCREW			4
11	6687982	SPRING			2
12	6687997	SCREW			8
13	6688001	SEAL			2
14	6688004	SEAL			1
15	6687971	ROLLER	Ref. 14 & 19-25		1
16	6687929	LEVER			1
17	6688012	ROLLER			1
18	6687944	SHIM	0,60 mm		1
18	6687933	SHIM	0,80 mm		1
18	6687934	SHIM	1,00 mm		1
18	6687935	SHIM	1,20 mm		1
18	6687936	SHIM	1,40 mm		1
18	6687937	SHIM	1,60 mm		1
19	6687947	PIN			1
20	6687946	SPRING			1
21	6687945	PLATE			1
22	6687955	HOUSING			1
23	6687966	PISTON			1
24	6687968	LEVER			2
25	6687981	SCREW			1

HYDROSTATIC PUMP/GEAR PUMP Identification

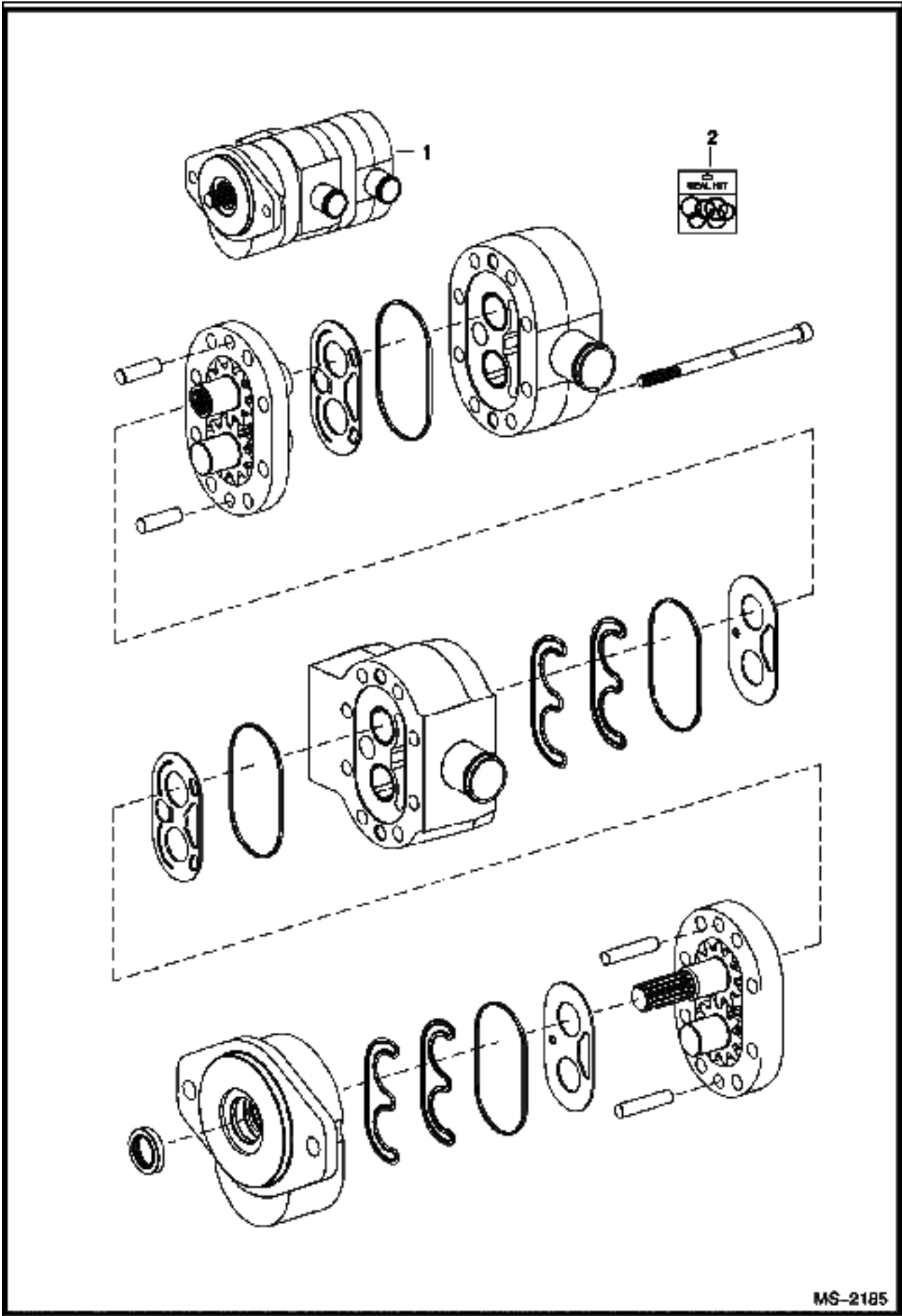


PE-2624

HYDROSTATIC PUMP/GEAR PUMP (Cont d) Identification

Ref No	Part Number	Description	Remarks	Serial Number	Qty
1		PUMP ASSY	NAP		1
2		HYDROSTATIC PUMP	See Illustration HYDROSTATIC PUMP/ MS2184 manual hand controls		1
2		HYDROSTATIC PUMP	See Illustration HYDROSTATIC PUMP/ B25010 selectable joystick controls		1
3		GEAR PUMP	See Illustration GEAR PUMP/ MS2185 manual hand controls or selectable joystick controls		1
4	6671520	O-RING	manual hand controls		1
4	6688019	O-RING	selectable joystick controls		1
5	43C820	BOLT			2
6	6631643	PLATE			2

GEAR PUMP
Manual Hand Controls

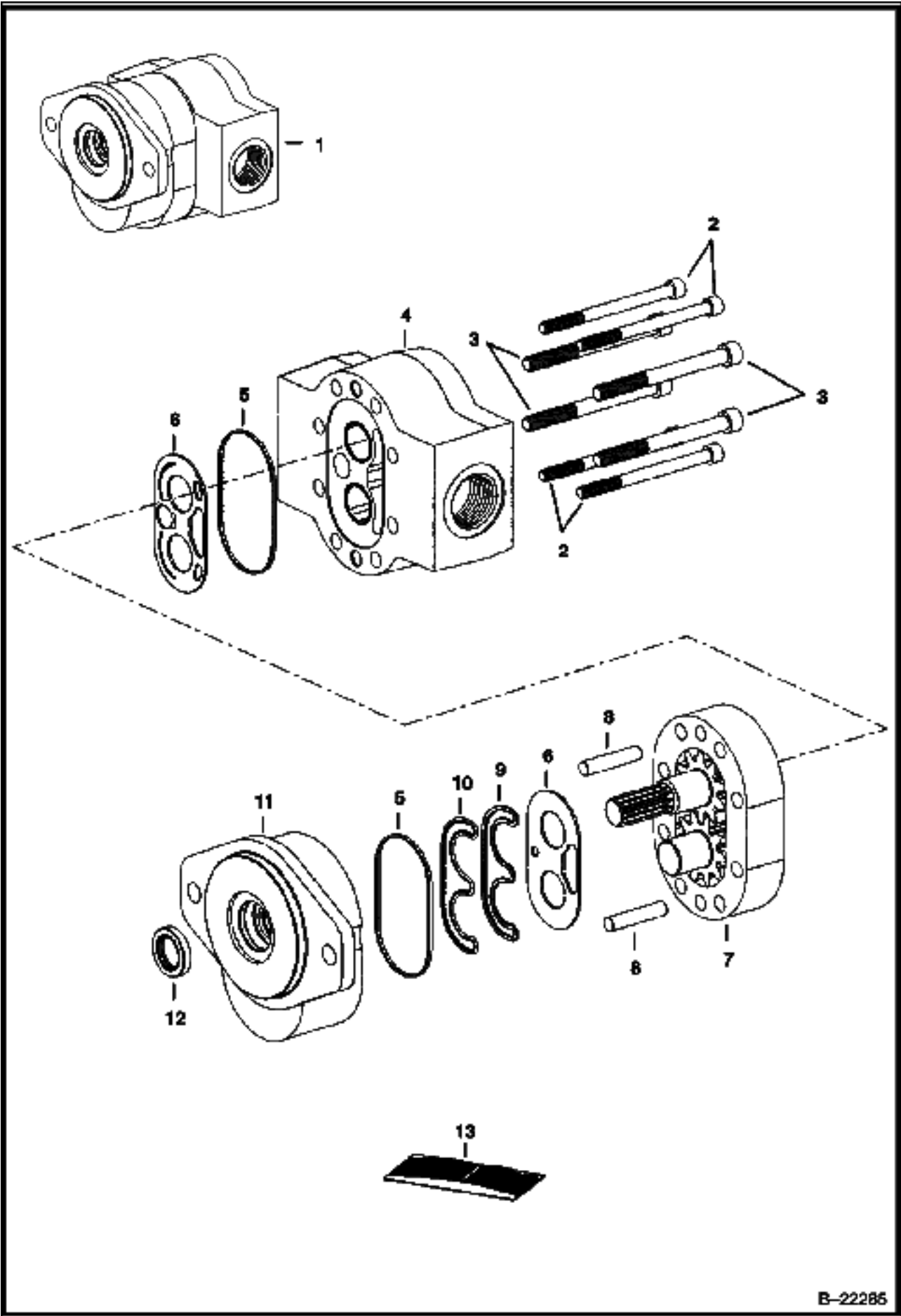


MS-2185

GEAR PUMP (Cont'd)
Manual Hand Controls

Ref No	Part Number	Description	Remarks	Serial Number	Qty
1	6687864	GEAR PUMP	Model 163D-71019 - for 6687863 (4445203) pump		1
2	6687866	SEAL KIT			1

GEAR PUMP
Selectable Joystick Controls



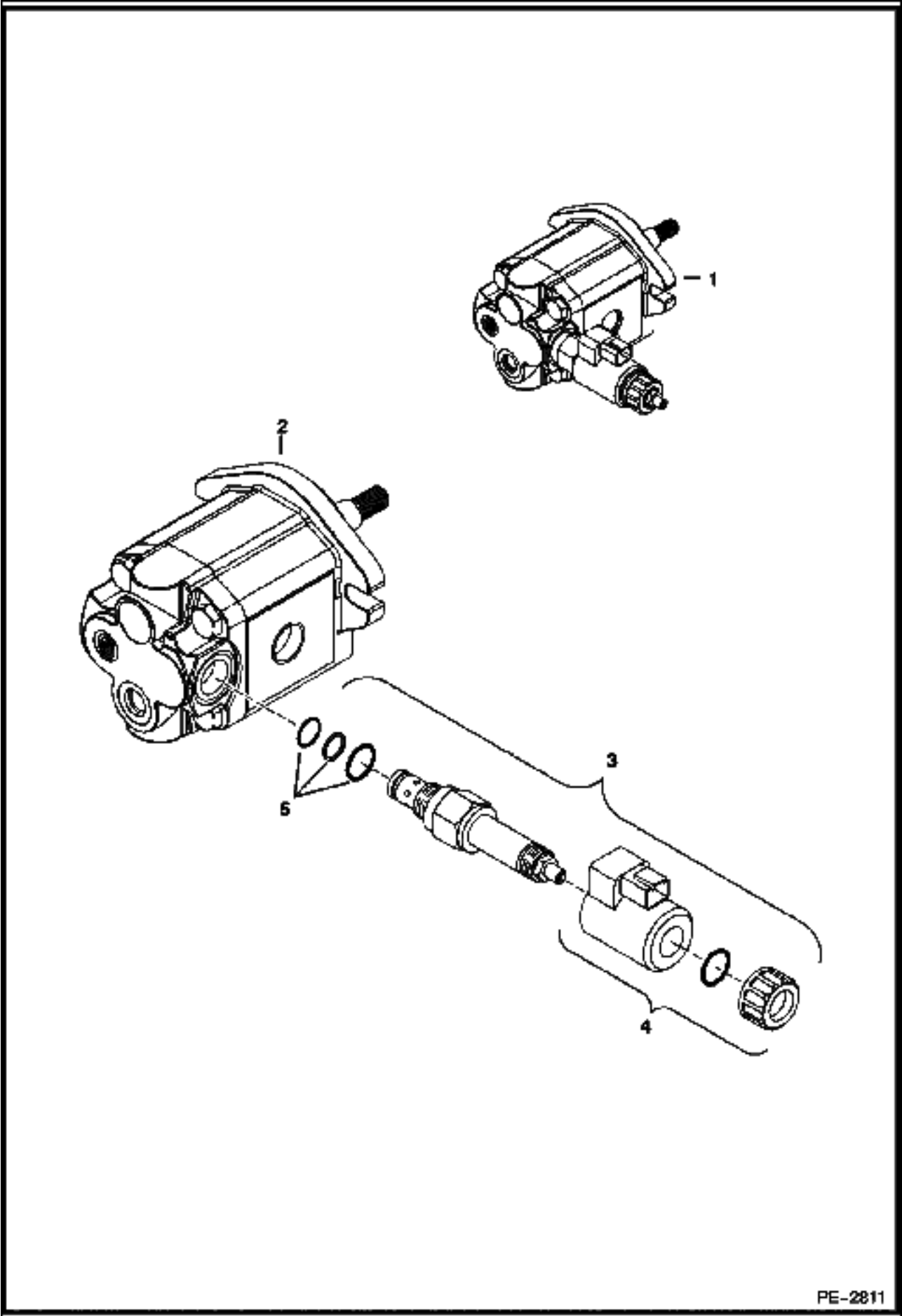
B-22285

GEAR PUMP (Cont'd)

Selectable Joystick Controls

Ref No	Part Number	Description	Remarks	Serial Number	Qty
1	6686388	PUMP	gear - model 163D1459 - for 6686267 (R902085419) hydrostatic pump		1
2		BOLT	NSS		4
3		BOLT	NSS		4
4		BODY	NSS		1
5		SEAL	NSS		2
6		WEAR PLATE	NSS		2
7		SECTION	NSS		1
8		PIN	NSS		2
9		SEAL	NSS - load		1
10		SEAL	NSS - pre-load		1
11		COVER	NSS		1
12		SEAL	NSS - shaft		1
13	6687866	SEAL KIT	Ref. 5, 6, 9, 10 & 12		1

MOTOR
Cooling Fan

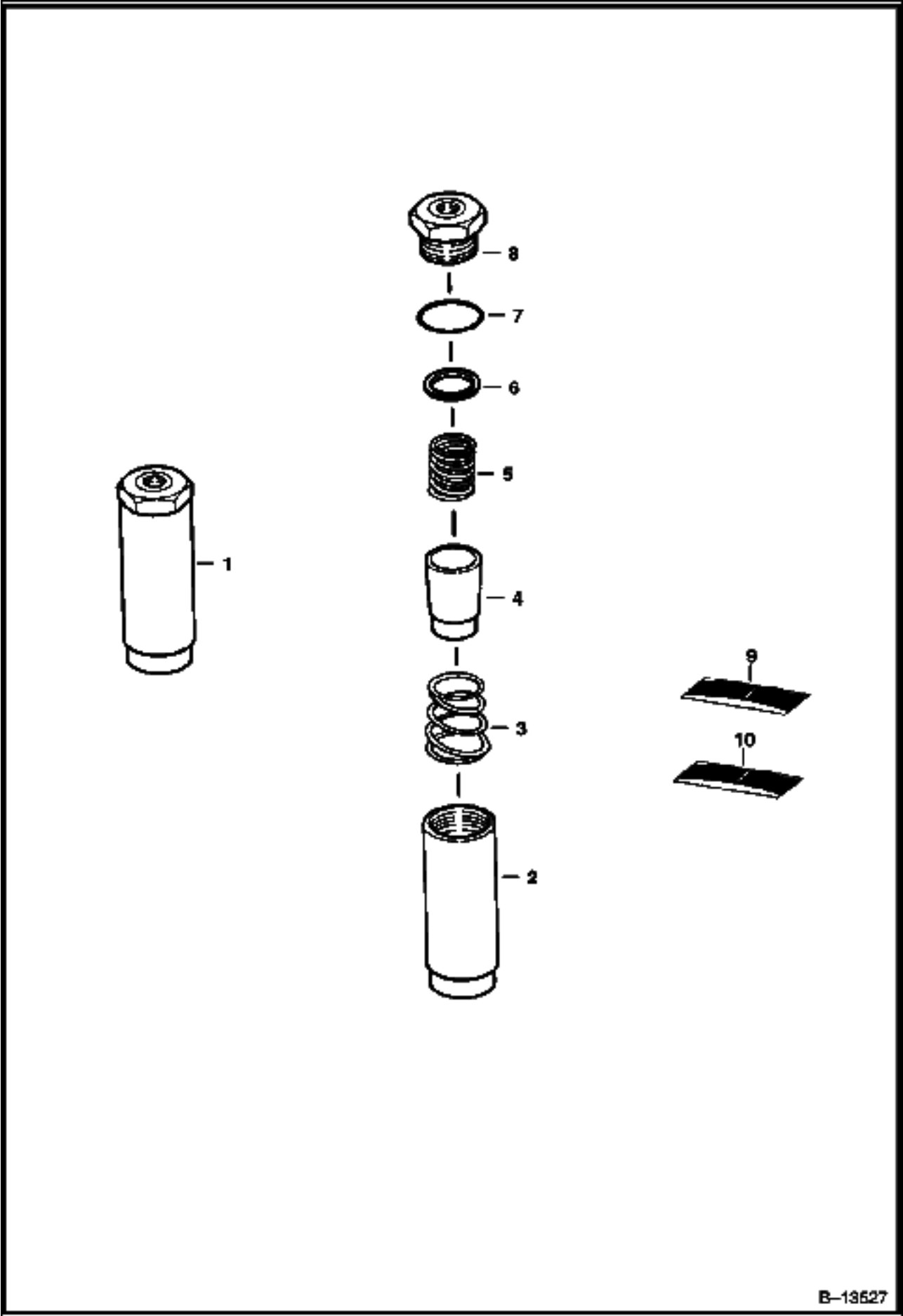


PE-2811

**MOTOR (Cont'd)
Cooling Fan**

Ref No	Part Number	Description	Remarks	Serial Number	Qty
1	6687142	MOTOR			1
2	6689058	MOTOR	W/O proportional valve		1
3	6689059	VALVE ASSY			1
4	6689060	COIL ASSY			1
5	6683206	SEAL KIT			1

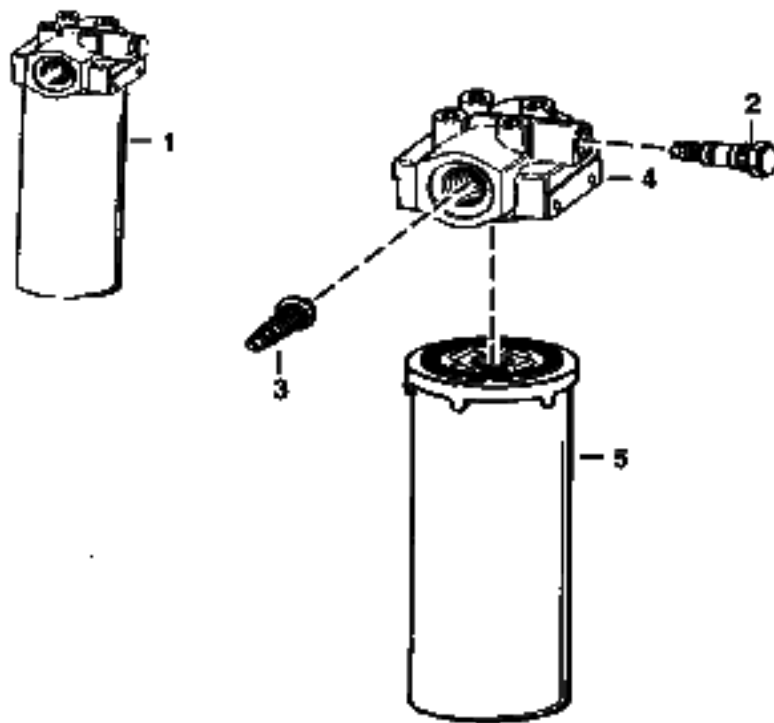
HYDROSTATIC OIL FILTER (In-Line)



B-13527

Ref No	Part Number	Description	Remarks	Serial Number	Qty
1	6661022	FILTER	Ref. 2 - 8		1
2		HOUSING	NAP		1
3		SPRING	NAP		1
4		ELEMENT	NAP		1
5		SPRING	NAP		1
6		GASKET	NAP		1
7		O-RING	NAP		1
8		PLUG	NAP		1
9	6661807	KIT	element - Ref. 4, 6 & 7		1
10	6661808	KIT	spring - Ref. 3 & 5		1

HYDROSTATIC OIL FILTER

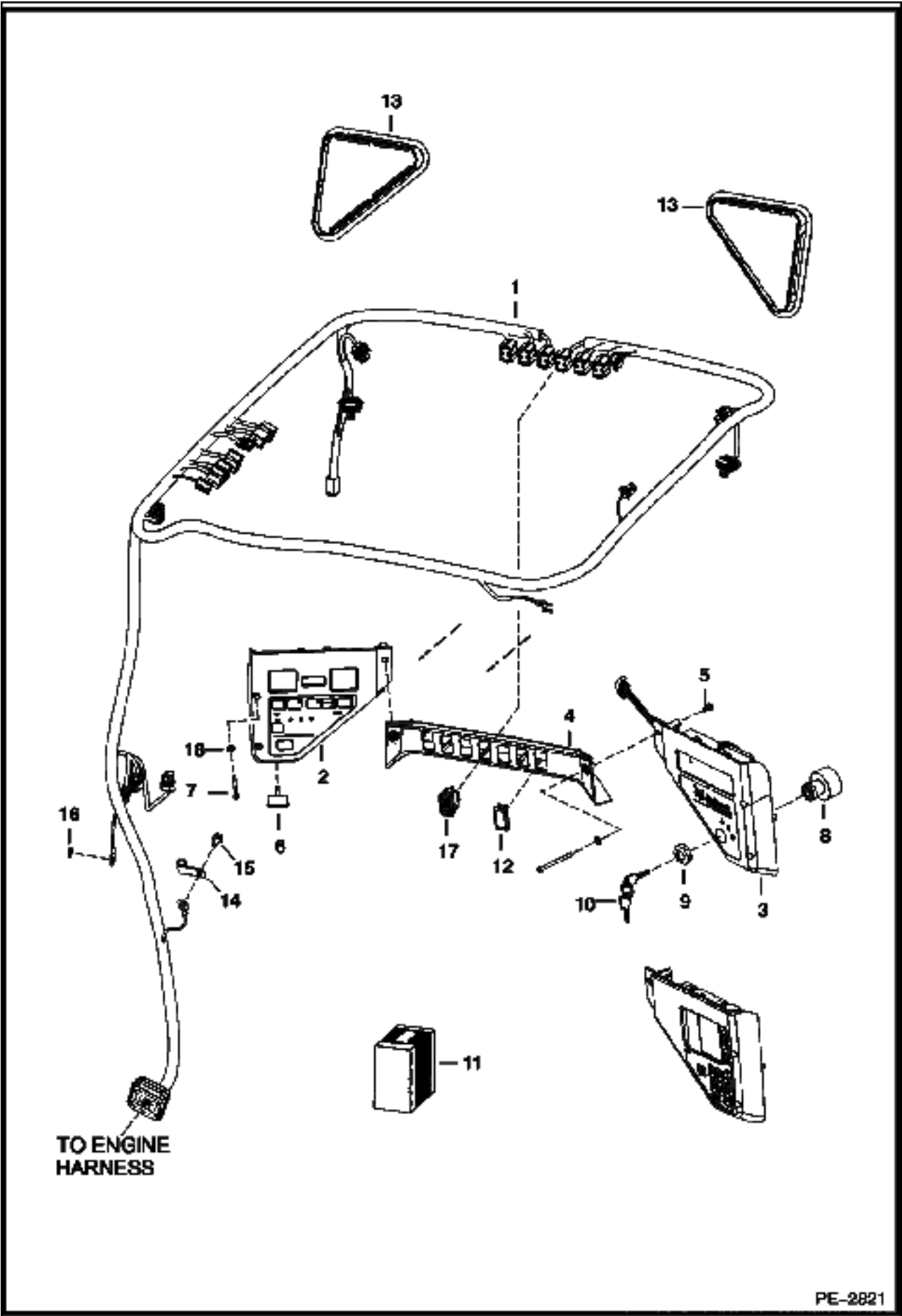


B-16487

HYDROSTATIC OIL FILTER (Cont'd)

Ref No	Part Number	Description	Remarks	Serial Number	Qty
1	6688385	HYD FILTER ASSY	W/Ref. 2 - 5 (50 PSI by-pass & switch)		1
2	6660260	SWITCH	pressure - normally open		1
3		VALVE	NAP - by-pass (50 PSI - Order Ref. 1)		1
4		HEAD	NSS - Order Ref. 1		1
5	6661248	ELEMENT			1

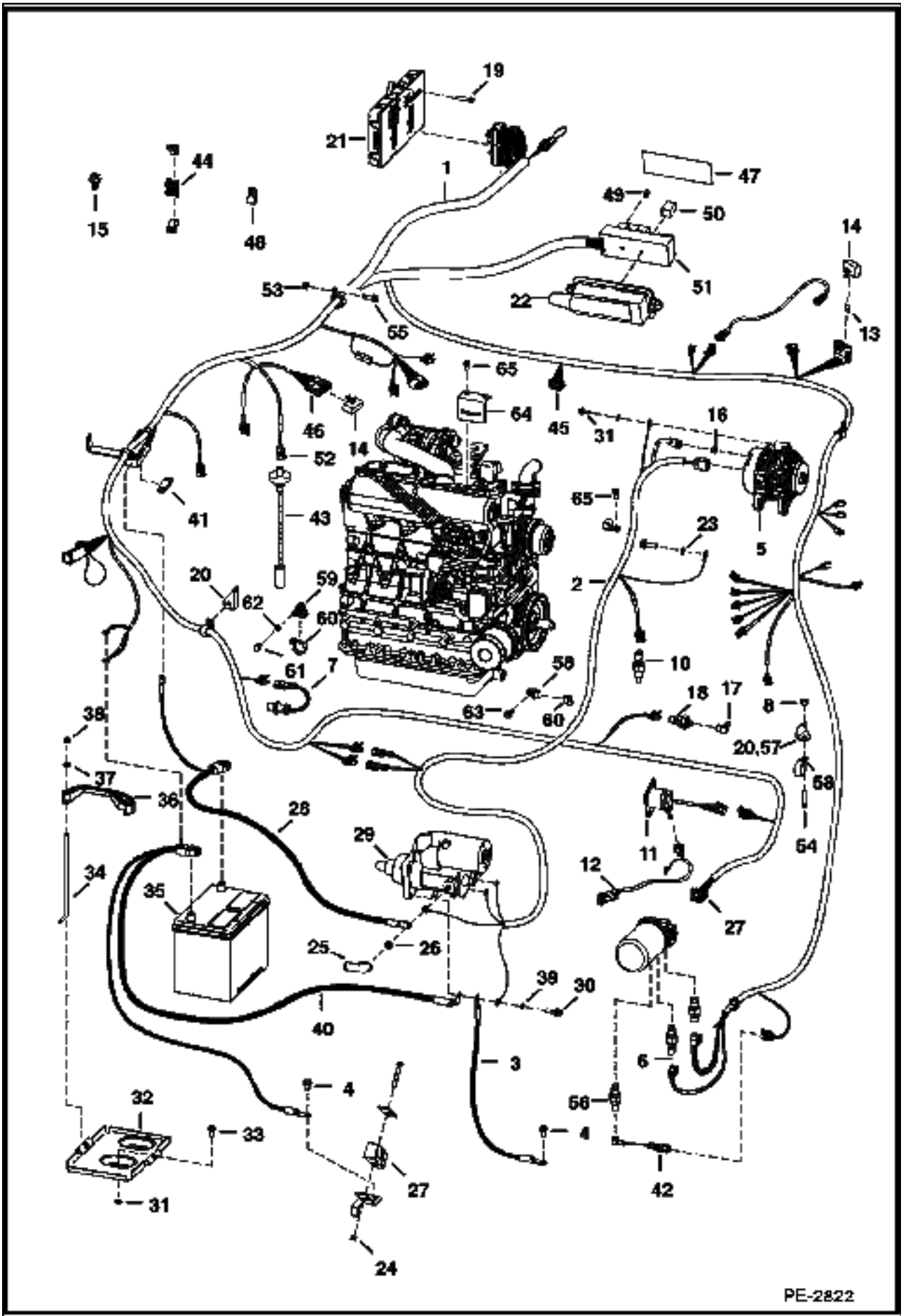
CAB ELECTRICAL CIRCUITRY



CAB ELECTRICAL CIRCUITRY (Cont'd)

Ref No	Part Number	Description	Remarks	Serial Number	Qty
1	7116261	HARNESS	standard		1
1	7116260	HARNESS	deluxe - required to operate beacon, 4-way flashers, power bob-tach & strobe lights		1
2	6688405	PANEL	L.H. - W/Ref. 6		1
2	6675982	PLUG	backlighting service hole		1
2	6679855	BULB			2
3	6688404	PANEL	R.H. - keyed - W/Ref. 8 & 9		1
3	6688403	PANEL	R.H. - deluxe - keyless		1
3		INSTRUCTIONS	NAP - for deluxe panel - See Service Manual		1
4	6679845	CROSSMEMBER			1
5	6675033	INSERT	threaded		6
6	6679856	ALARM	W/nut		1
7	7105983	BOLT			4
8	6679842	SWITCH	ignition - W/Ref. 9		1
9	6674202	NUT			2
10	6709527	KEY	ignition		1
11		KIT	NAP - keyless ign. - Order 6672348 Panel - See Service Manual		1
12	6665314	PLUG	cover		x
13	6674403	COVER			2
14	6675171	CLAMP			1
15	84G003712B	BOLT			1
16	6E000005B	WASHER			1
17	6676536	SWITCH	park brake		1
18	25E000010B	WASHER			2

ENGINE ELECTRICAL CIRCUITRY

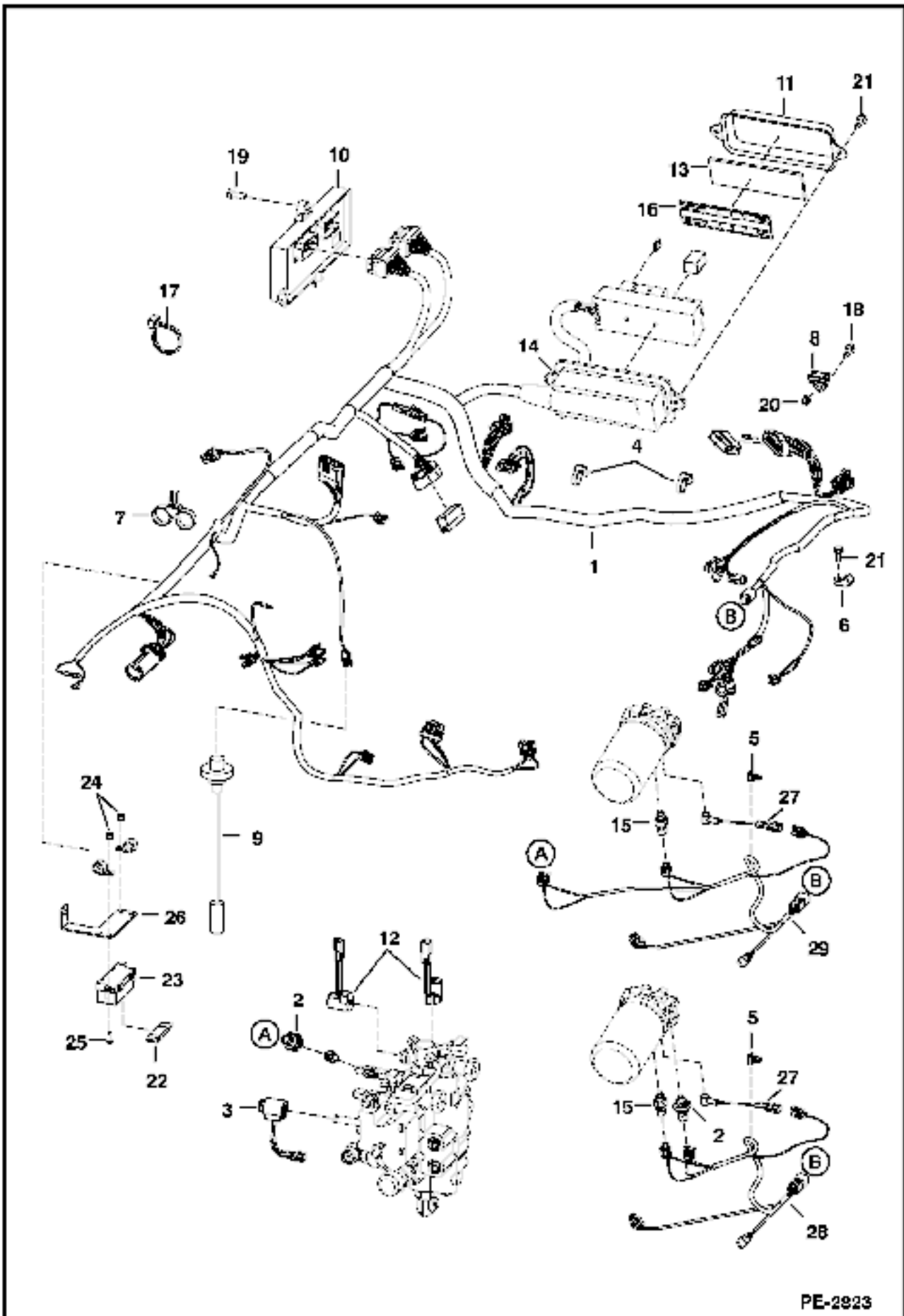


PE-2822

ENGINE ELECTRICAL CIRCUITRY (Cont'd)

Ref No	Part Number	Description	Remarks	Serial Number	Qty
1	7116259	HARNESS	loader		1
2	6665371	SWITCH			1
3	6569203	CLAMP			1
4	6576280	BOLT			2
5	6624289	STA STRAP			17
6	6674687	BATTERY			1
6		BATTERY CAP			2
7	6674315	SENSOR	eng. oil press.		1
8		ALTERNATOR			1
9	53DM00008B	NUT			8
10	6678818	MOUNT			1
11	6679034	MOUNT			5
12	6684037	SENSOR	rpm		1
13	7102451	FITTING			1
14	1CM08100B	BOLT			1
15	1CM08100B	BOLT			1
16	7116956	BRACKET			1
17	6718260	BATTERY PAN			1
18	6718414	SENDER	eng. temp.		1
19	616783	WASHER			2
20	6565170	CABLE	neg.		1
21	6729008	CABLE	ground		1
22	7112854	BRACKET			1
23	6731256	CABLE	pos.		1
24	6814830	HARNESS	fuel solenoid		1
25	84G003716B	BOLT			2
26	84G003712B	BOLT			3
27	7104379	HARNESS	starter/alt.		1
27	6688073	CONNECTOR			1
28	35C003116B	BOLT			1
29	6676400	CONNECTOR	16 pin		x
30	1CM00825B	BOLT			1
31	1CM00870B	BOLT			2
32	84G003112B	BOLT			1
33	6E000006B	WASHER			1
34	25E000014B	WASHER			1
35	25E000015B	WASHER			2
36	29CM00820B	BOLT			5
37	35C000620B	BOLT			1
38	43DM00008B	NUT			1
39	6684415	BUSS BAR			1
40	59D000005B	NUT			2
41	83G003732B	BOLT			1
42		STARTER			1
43	6684826	SOLENOID	fuel shut off		1

ENGINE ELECTRICAL CIRCUITRY

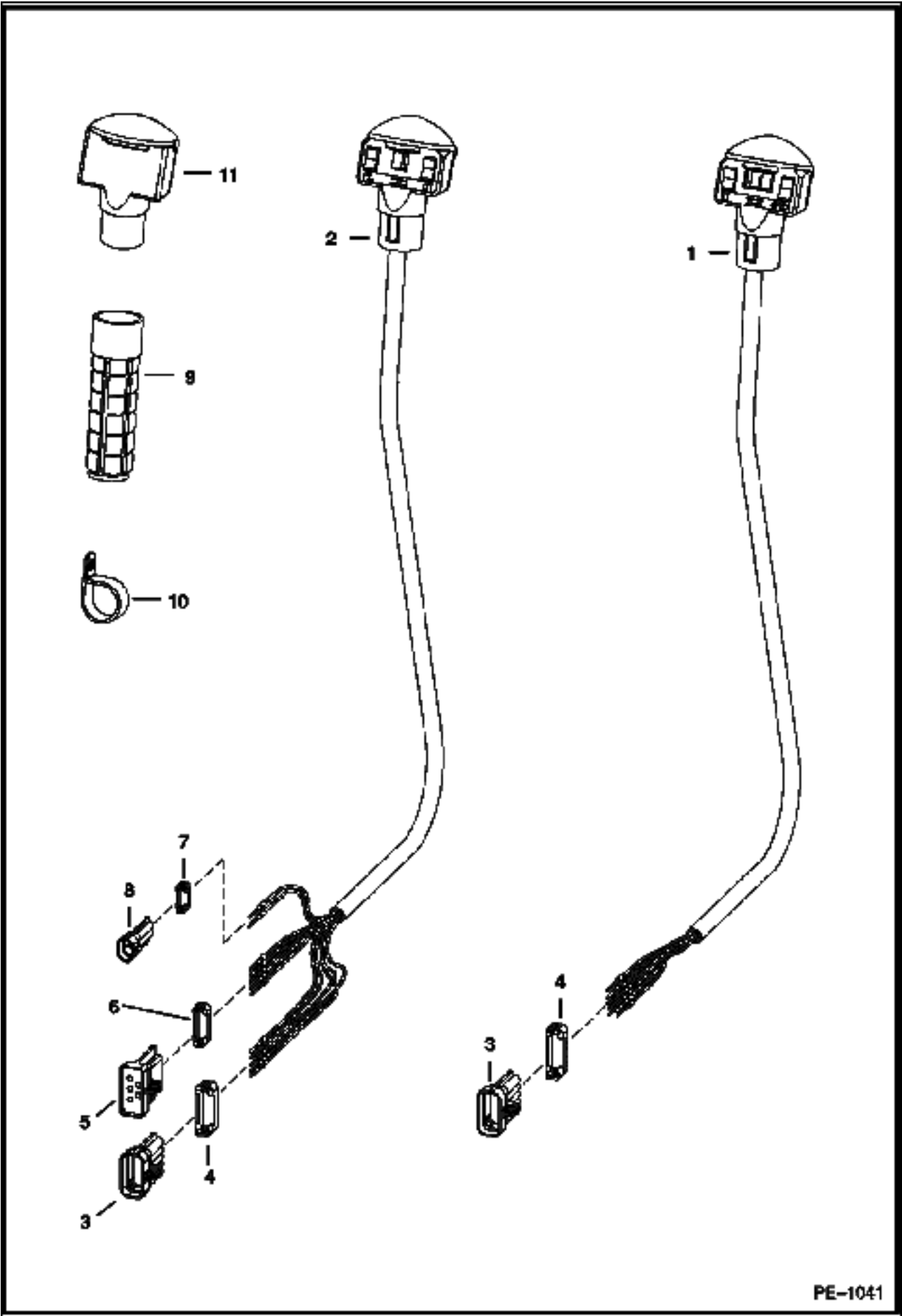


PE-2923

ENGINE ELECTRICAL CIRCUITRY (Cont'd)

Ref No	Part Number	Description	Remarks	Serial Number	Qty
1	7116259	HARNESS			1
2	6674316	SENSOR	hyd. chg. press - 3-pin molded connector		1
3	6675559	COIL			1
4	7109495	MOUNT			1
5	6678666	TREE MOUNT			2
6	6646383	CONNECTOR	fuel sender		1
6	6648330	TERMINAL			2
7	6679820	RELAY			7
8	6678818	MOUNT			1
9	6680438	SENSOR	fuel - W/gasket		1
9	6717579	GASKET			1
10	6688439	CONTROLLER	Bobcat		1
11	6716621	COVER			1
12	6678891	COIL			x
13	7117407	DECAL			1
14	6718659	HOUSING			1
14	6673200	FUSE BLOCK			1
15	6727869	SENDER	hyd. temp		1
16	6731275	INSULATION			1
17	6624289	STA STRAP			17
18	6654806	FUSE	15 amp		2
18	6702444	FUSE	25 amp		6
18	6718034	FUSE	30 amp		2
19	43C000616B	BOLT			3
20	6728626	HARNESS			1
21	84G003112B	BOLT			2
22	6675155	FUSE	100 amp		1
23	6675154	HOLDER	high amp fuse		1

**CONTROLS ELECTRICAL
(Manual Hand Controls)**

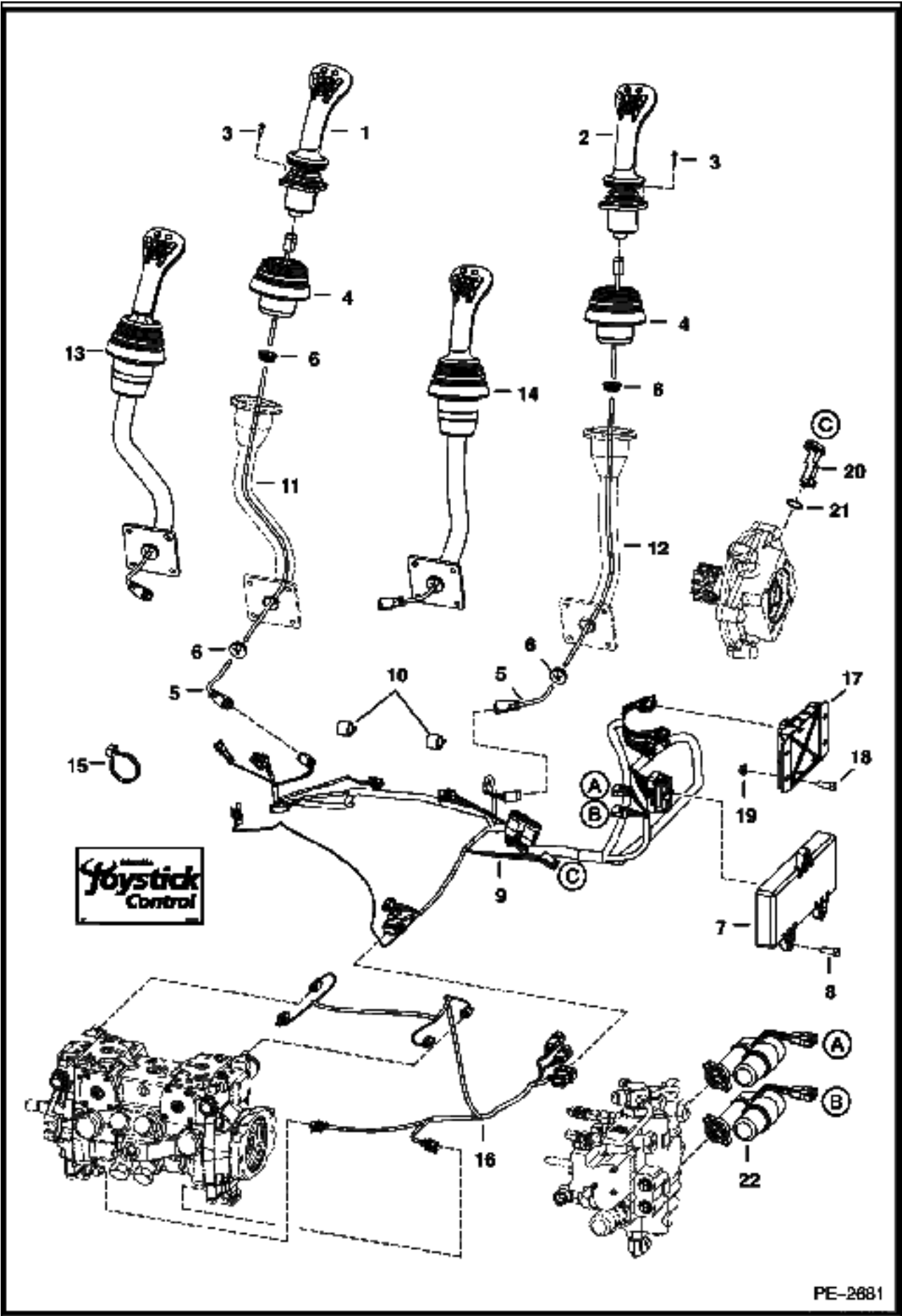


PE-1041

CONTROLS ELECTRICAL (Cont'd) (Manual Hand Controls)

Ref No	Part Number	Description	Remarks	Serial Number	Qty
1	6680418	HANDLE ASSY.	R.H. - Also Order Ref. 3 & 4		1
1	6640690	PIN			9
1	6641176	SEAL			9
2	6680419	HANDLE ASSY.	L.H. - Also Order Ref. 3-8 [A]		1
2	6640690	PIN			10
2	6641176	SEAL			10
2	6680447	DECAL			1
3	6640692	CONNECTOR	10-pin		2
4	6640694	LOCK	10-pin		2
5	6667144	CONNECTOR	5 - way		1
6	6667145	LOCK	5 - way		1
7	6641180	LOCK	2 - pin		1
8	6641179	CONNECTOR	2 - pin		2
9	6702621	GRIP			2
10	6674000	CLAMP			2
11	6680415	HANDLE	L.H. - blank		2

CONTROLS ELECTRICAL
(Selectable Joystick Controls)

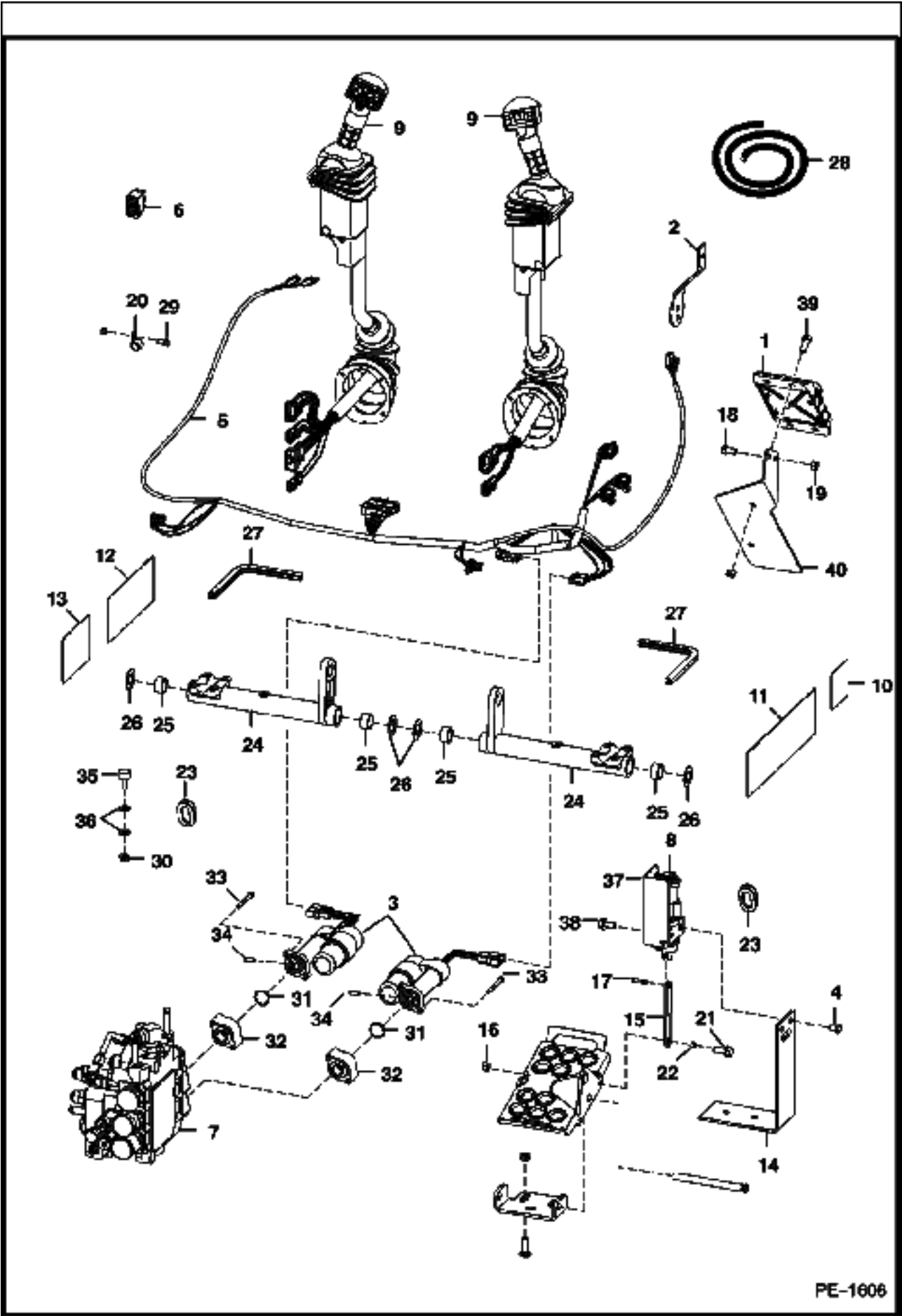


PE-2881

CONTROLS ELECTRICAL (Cont'd) (Selectable Joystick Controls)

Ref No	Part Number	Description	Remarks	Serial Number	Qty
1		JOYSTICK LH	NSS - Order Ref. 13 - Was 6687883 [A]		1
2		JOYSTICK RH	NSS - Order Ref. 14 - Was 6687882 [A]		1
3		BOLT	NSS - L. H. - Order Ref. 13 - R.H. -Order Ref. 14 - Was 6678659 [A]		8
4		BOOT	NSS - L. H. - Order Ref. 13 - R.H. - Order Ref. 14 - Was 6678903 [A]		2
5		HARNESS	NSS - L. H. - Order Ref. 13 - R.H. - Order Ref. 14 - Was 6729397 [A]		2
6		GROMMET	NSS - L. H. - Order Ref. 13 - R.H. - Order Ref. 14 - Was 6684294 [A]		4
7	6680410	CONTROLLER			1
7	7115214	BRACKET			1
8	43C000616B	BOLT			3
9	7115221	SJC HARNESS	SJC HARNESS		1
10	30H000046B	CLAMP			2
11		HANDLE	NSS - L.H. - Order Ref. 13 - Was 6729792 [A]		1
12		HANDLE	NSS - R.H. - Order Ref. 14 - Was 6729791 [A]		1
13	7111993	JOYSTICK ASMBLY LH	L.H. - Ref. 1, 3-6 & 11		1
14	7111992	JOYSTICK ASMBLY RH	R.H. - Ref. 2-6 & 12		1
15	6624289	STA STRAP			21
16	7114735	HARNESS	A22 pump		1
17	6679485	CONTROLLER JC			1
18	17C000616B	BOLT			2
19	97D000006B	NUT			2
20	6677181	SENSOR	speed		2
21	25K020100B	O-RING			2
22	7101672	ACTUATOR			2
23	6683812	SWITCH	H/ISO		1

**CONTROLS ELECTRICAL
(AHC) (ACS)**

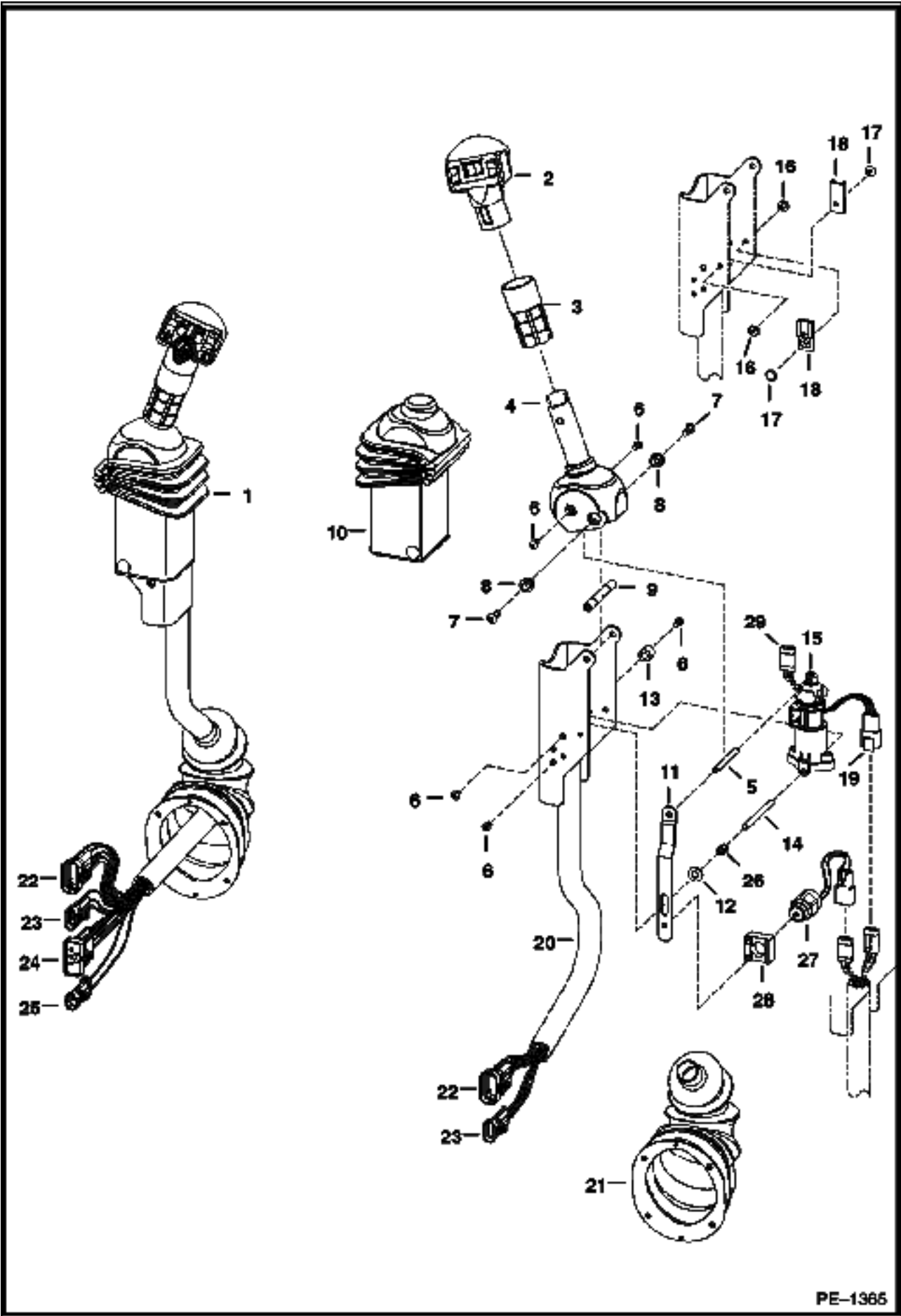


PE-1606

CONTROLS ELECTRICAL (Cont'd) (AHC) (ACS)

Ref No	Part Number	Description	Remarks	Serial Number	Qty
1	6680410	CONTROLLER	metal		1
2	6717393	LEVER	throttle		1
3	7101672	ACTUATOR			2
4	17C000608B	BOLT			4
5	6733430	HARNESS	A]		1
6	6676537	SWITCH			2
7		VALVE			1
8	6684912	SENSOR	See Illustration CONTROLS ELECTRICAL/ PE1553 FOOT PEDAL - R.H.		1
8	6676029	SOLENOID			1
8	6684911	SENSOR	See Illustration CONTROLS ELECTRICAL/ PE1553 FOOT PEDAL - L.H.		1
8	6676029	SOLENOID			1
9	6684915	LEVER	See Illustration CONTROLS ELECTRICAL/ PE1365 TILT - R.H.		1
9	6684916	LEVER	See Illustration CONTROLS ELECTRICAL/ PE1365 LIFT - L.H.		1
10	6718706	DECAL			1
11	6728539	DECAL			1
11	6734646	DECAL	joystick controls		1
12	6727926	DECAL			1
13	6727941	DECAL			1
14	6726573	BRACKET			2
15	6726681	LINK			2
16	95D000005B	NUT			2
17	6727496	PIN			2
18	17C000616B	BOLT			2
19	95D000006B	NUT			6
20	30H000062B	CLAMP			4
21	17C000514B	BOLT			2
22	6729467	SPACER			2
23	6714726	GROMMET			2
24	6716977	BELLCRANK			2
25	6673710	BEARING			4
26	6716916	WASHER	plastic		4
27		MOULDING	NAP - 10.5"(266,7 mm) long - Order Ref. 28		1
28	6654139	MOULDING	bulk - Sold Per Foot		x
29	84G003710B	BOLT			6
30	98D000006B	NUT			2
31	6686220	O-RING			2
32	7101705	ADAPTER			2
33	69G000436B	BOLT			4
34	7108236	PIN			2
35	6673789	BEARING			4
36	7100699	WASHER			8
37	6680478	SHIELD	R.H.		1
37	6680479	SHIELD	L.H.		1
38	43C000408B	BOLT			4
39	17C000612B	BOLT			2
40	6727580	MOUNT	Controller		1

CONTROLS ELECTRICAL
(AHC) (ACS) (Handle Assembly)

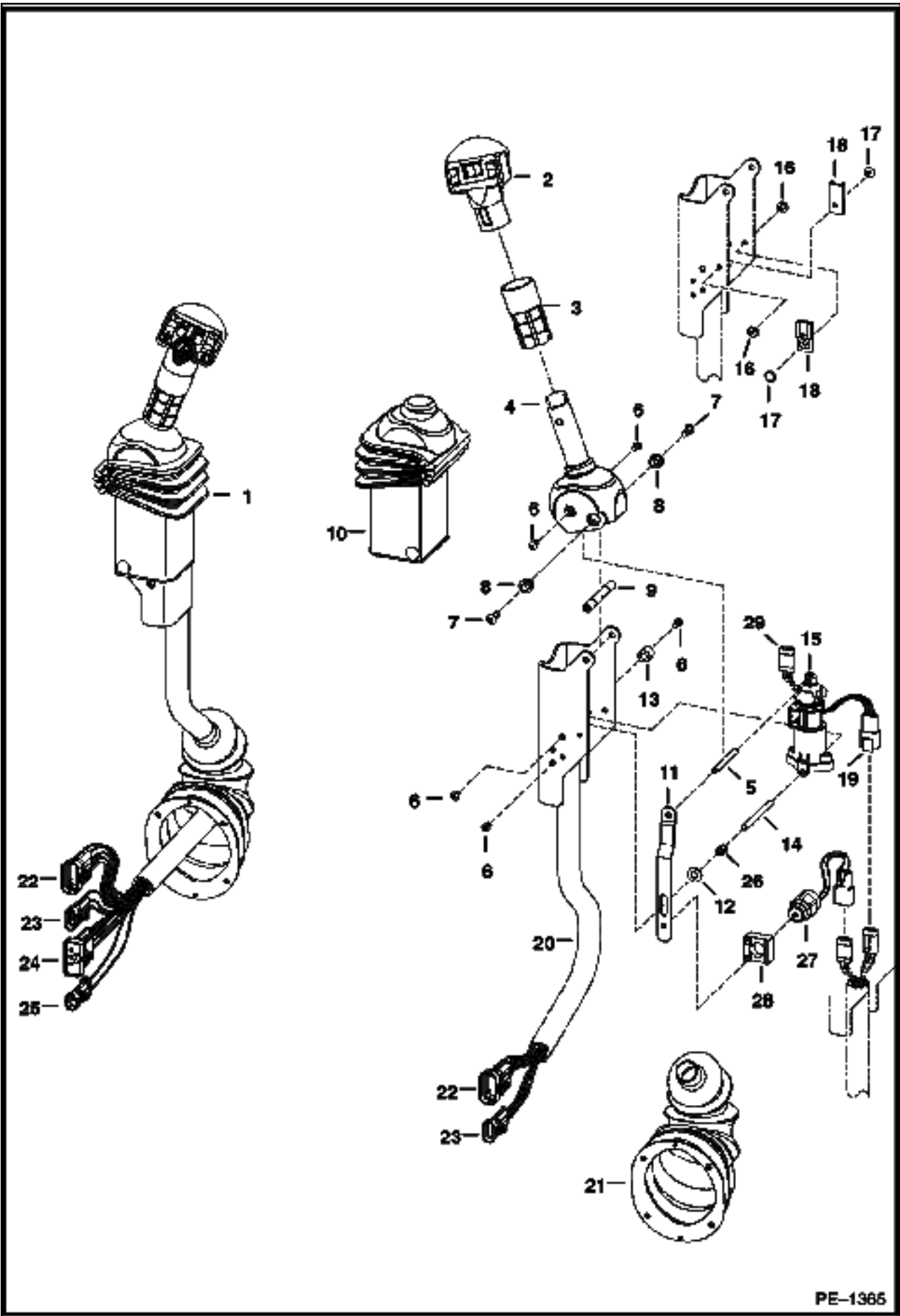


PE-1365

CONTROLS ELECTRICAL (Cont'd) (AHC) (ACS) (Handle Assembly)

Ref No	Part Number	Description	Remarks	Serial Number	Qty
1	6684915	LEVER	tilt - R.H.		1
1	6684916	LEVER	lift - L.H.		1
2	6680462	HANDLE	lift - R.H.		1
2	6680417	HANDLE	lift - L.H.		1
3		GRIP	NAP - Order 6702621 Grip & cut to 2.8" (71,1 mm) long		2
4	6729594	HANDLE	R.H.		1
4	6729595	HANDLE	L.H.		1
5	6680469	SPACER	threaded		1
6	6727065	BOLT			6
7	25GT00410B	BOLT			8
8	6702990	BUSHING			4
9	6713043	SPACER			4
10	6680471	COVER			2
11	6680477	STRAP	stop		1
12	25E000013B	WASHER			1
13	6719835	SLEEVE			4
14	6719834	SPACER	threaded		2
15	6684910	SENSOR			2
15	6670706	CONNECTOR			1
15	6670715	PIN			3
15	6670710	LOCK			1
16	6665322	RIVET	female		2
17	6665321	RIVET	male		2
18	6665000	CLIP			2
19	6670707	CONNECTOR			1
19	6670715	PIN			3
19	6670711	LOCK			1
20	6680481	CHANNEL	R.H.		1
20	6680480	CHANNEL	L.H.		1
21	6532127	BOOT			2
22	6640692	CONNECTOR	10-pin		1
22	6640690	PIN			8
22	6640694	LOCK			1
22	6641176	SEAL			8
22	6646582	PLUG	cavity		1
23	6640699	CONNECTOR	3-pin		2
23	6640690	PIN			3
23	6641176	SEAL			3
23	6640700	LOCK			3
24	6667144	CONNECTOR	5-pin		2
24	6640690	PIN			3
24	6641176	SEAL			3
24	6646582	PLUG	cavity		1
24	6641180	LOCK			1
25	6641179	CONNECTOR	2-pin		1
25	6640690	PIN			2
25	6641176	SEAL			2
25	6641180	LOCK			1
26	6680470	SPRING			1
27	6676029	SOLENOID			1
28	6680468	MOUNT			1
29	6676870	CONNECTOR	3-pin		1
29	6670711	LOCK			1
29	6670715	PIN			1

CONTROLS ELECTRICAL (Cont'd)
(AHC) (ACS) (Handle Assembly)

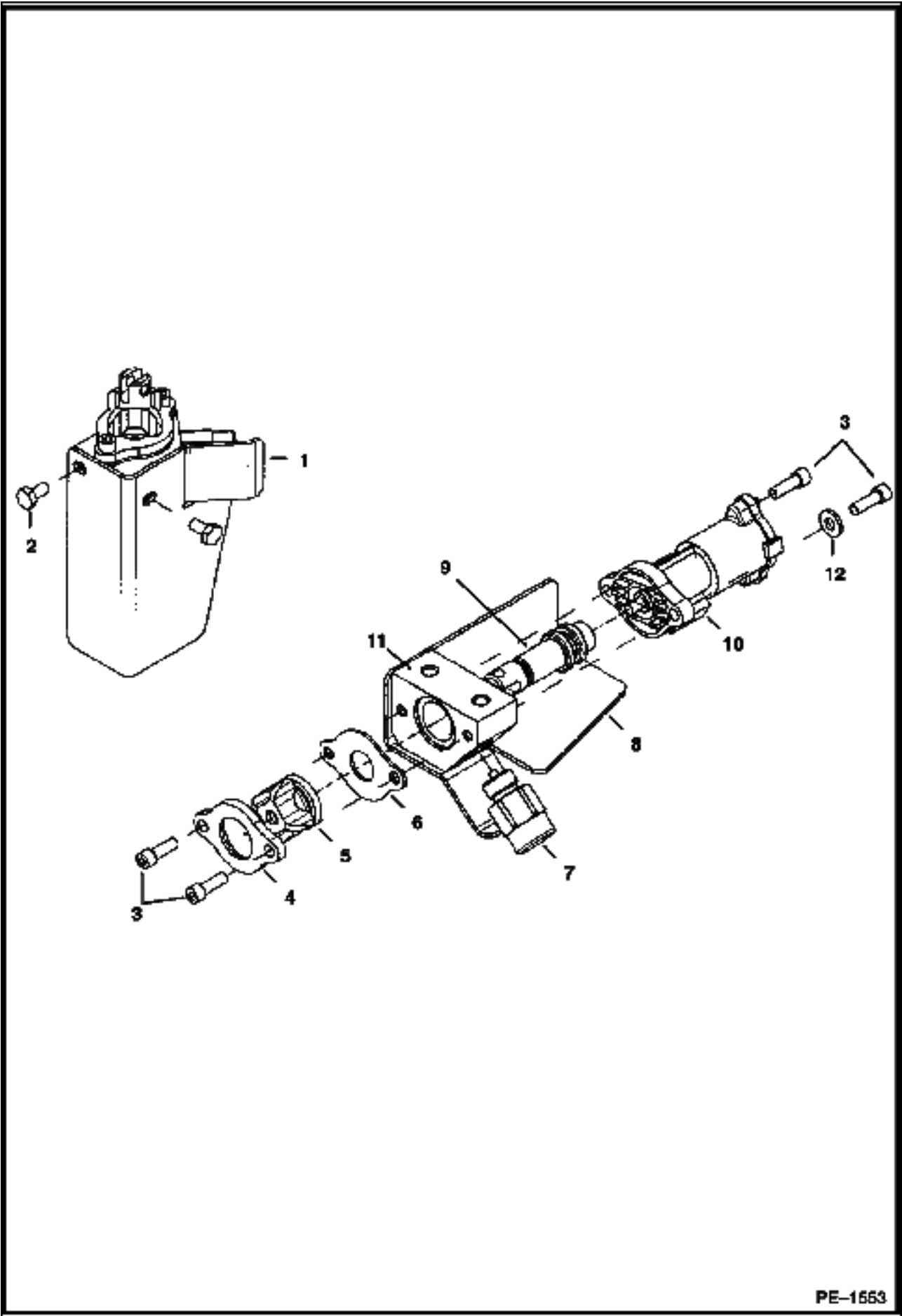


PE-1365

**CONTROLS ELECTRICAL (Cont'd)
(AHC) (ACS) (Handle Assembly)**

Ref No	Part Number	Description	Remarks	Serial Number	Qty
29	6676640	SEAL			5

**CONTROLS ELECTRICAL
(AHC) (ACS) (Foot Pedal Assy.)**

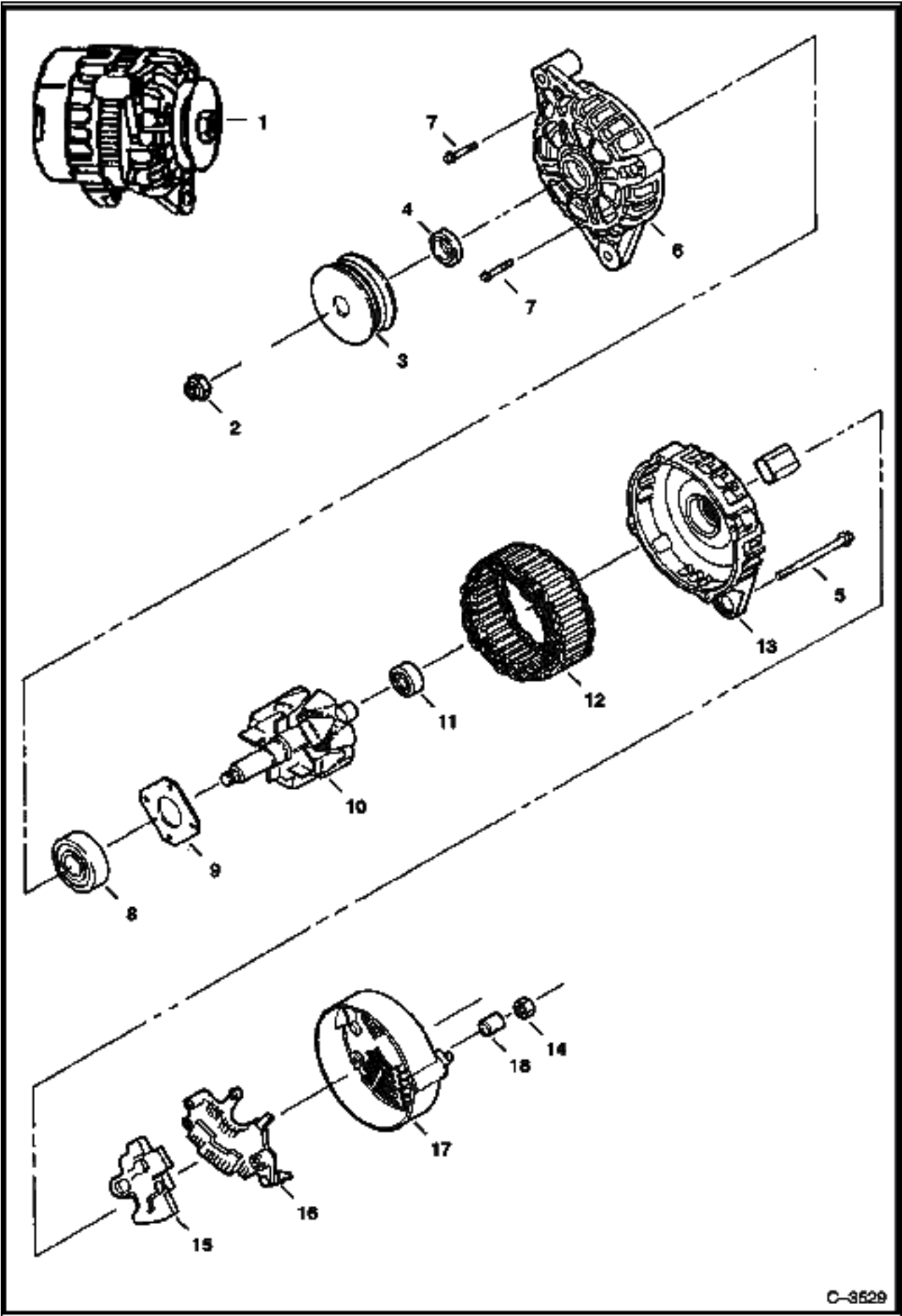


PE-1553

CONTROLS ELECTRICAL (Cont'd)
(AHC) (ACS) (Foot Pedal Assy.)

Ref No	Part Number	Description	Remarks	Serial Number	Qty
1	6684912	SENSOR	foot pedal - R.H.		1
1	6684911	SENSOR	foot pedal - L.H.		1
2	43C000408B	BOLT			2
3	98G000412B	BOLT			4
4		RETAINER	NAP - boot		1
5	6587763	BOOT			1
6		STOP PLATE	NAP		1
7	6676029	SOLENOID			1
8	6680478	SHIELD	R.H.		1
8	6680479	SHIELD	L.H.		1
9		SPOOL	NSS		1
10		SENSOR	NSS		1
11		BLOCK	NSS		1
12	25E000013B	WASHER			2

ALTERNATOR

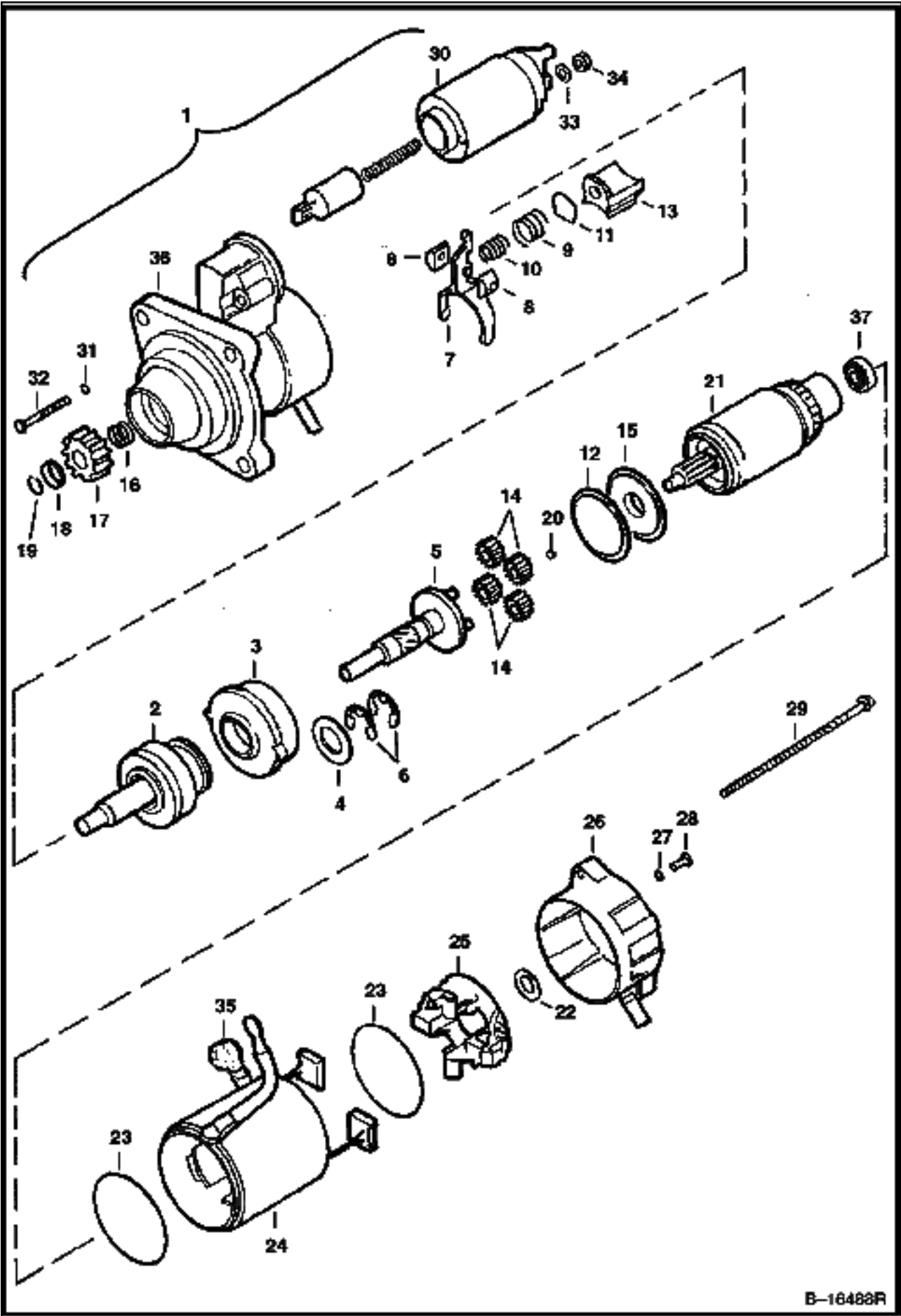


C-3529

ALTERNATOR (Cont'd)

Ref No	Part Number	Description	Remarks	Serial Number	Qty
1	6678205	ALTERNATOR	90 amp		1
2	6677497	NUT			1
3	6677496	PULLEY			1
4	6677495	SPACER	front		1
5	6677494	BOLT			4
6	6677491	BRACKET	rear		1
7	6677817	BOLT			4
8	6677818	BEARING			1
9	6677819	RETAINER			1
10	6677492	ROTOR			1
11	6677820	BEARING			1
12	6677493	STATOR			1
13	6677490	BRACKET			1
14	6677486	NUT			1
15	6677489	REGULATOR ASSY	Order Ref. 1		1
16	6677488	RECTIFIER			1
17	6677487	COVER			1
18	6677485	SPACER	rear		1

STARTER
(Valeo)

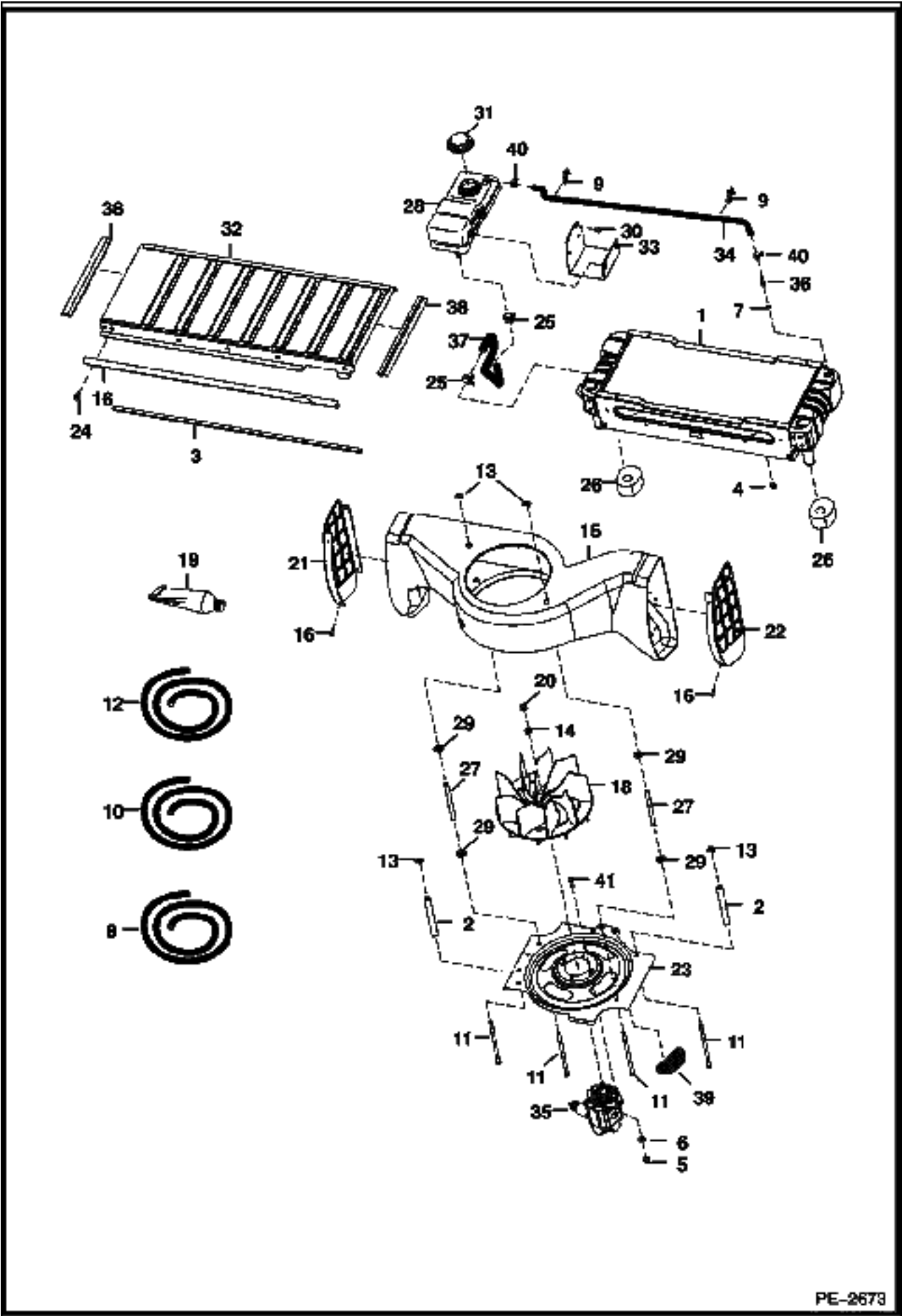


B-16488R

STARTER (Cont'd)
(Valeo)

Ref No	Part Number	Description	Remarks	Serial Number	Qty
1	6685190	STARTER			1
2	6680375	SHAFT	O.R.C. assy.		1
3	6680367	GEAR			1
4	6680378	WASHER			1
5	6680365	SHAFT			1
6	6680368	STOP RING			2
7		LEVER	NSS - Order Ref. 36		1
8		HOLDER	NSS - Order Ref. 36		2
9		SPRING	NSS - Order Ref. 36		1
10		SPRING	NSS - Order Ref. 36		1
11		PLATE	NSS - Order Ref. 36		1
12	6680369	SEAL			1
13	6680371	LEVER			1
14	6680366	GEAR			4
15	6680372	BRACKET			1
16	6680361	SPRING			1
17	6680390	GEAR			1
18	6680360	STOP			1
19	6680359	STOP RING			1
20	6680362	BALL			1
21	6680374	ARMATURE	W/Ref. 37		1
22	6680363	WASHER			1
23	6680380	SEAL			2
24	6680373	YOKE			1
25	6680377	HOLDER			1
26	6680389	BRACKET			1
27	6680358	RING	rubber		2
28	6680384	BOLT			2
29	6680356	BOLT			2
30	6680376	SWITCH			1
31	6680379	SEAL			2
32	6680383	BOLT			2
33	6EM00080B	WASHER			1
34	4DM00008B	NUT			1
35	6680355	BOOT			1
36	6680388	BRACKET	W/Ref. 7-11		1
37	6687631	BEARING			1

COOLING SYSTEM

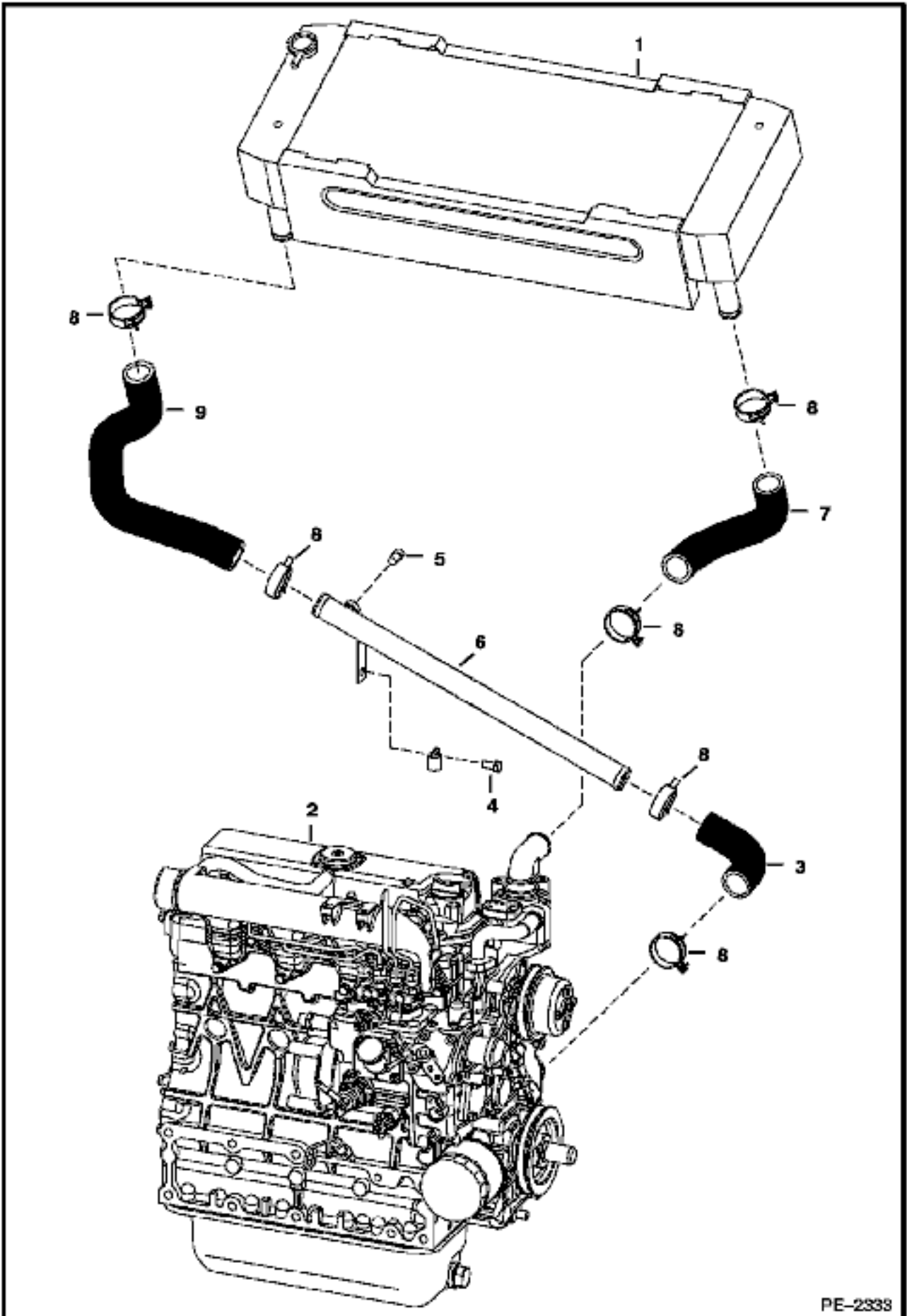


PE-2673

COOLING SYSTEM (Cont'd)

Ref No	Part Number	Description	Remarks	Serial Number	Qty
1	6736362	RADIATOR			1
2	6577382	SPACER			2
3		FOAM STRIP	NAP - 34.5" (876,3 mm) long - Order Ref. 8		2
4	35C000516B	BOLT			2
5	95D000006B	MOULDING			2
6	25E000017B	WASHER			2
7	79K000002B	O-RING			1
8	6511855	SEAL	bulk - Sold Per Foot		x
9	6675734	STRAP	button head		2
10	6646705	SEAL	bulk - Sold Per Foot		x
11	17C006116B	BOLT			4
12	6577822	HOSE	bulk - Sold Per Foot		x
13	6684033	NUT			4
14	6701097	WASHER			1
15	6737249	HOUSING			1
16	6703471	BRACKET			1
17	6706517	SCREW	plastic louvers		8
18	6715142	FAN			1
19	6650407	ADHESIVE	1oz. tube		x
20	96D000008B	NUT			1
21	6716571	LOUVER	L.H. - plastic		1
22	6716573	LOUVER	R.H. - plastic		1
23	7107175	INLET			1
24	84G003112B	BOLT			3
25	5HM00024B	CLAMP			2
26	6736378	SPACER			2
27	6732318	SPACER			2
28	6736379	TANK	expansion		1
29	6732457	WASHER	step		4
30	6733886	BOLT			2
31	6733429	CAP			1
31	6733996	DECAL	14 psi		1
32	6736359	GRILL			1
33	6732870	MOUNT			1
34		HOSE	NAP - 36" (914,4 mm) long - Order Ref. 12		1
35	6687142	MOTOR	See Illustration MOTOR/ PE2811 See Illustration HYDROSTATIC CIRCUITRY/ PE2676 W/proportional valve		1
35	6689058	MOTOR	W/O proportional valve		1
35	6689059	VALVE ASSY	proportional		1
35	6689060	COIL ASSY	W/nut & O-ring		1
35	6683206	SEAL KIT	for proportional valve		1
36	6734236	ADAPTER	W/Ref. 7		1
37	7101090	HOSE			1
38		MOULDING	NAP - 16.8" (426,7 mm) long - Order Ref. 10		2
39	6684474	INSERT FAN INLET			4
40	5HM00014B	CLAMP			2
41	17C720	BOLT			2

ENGINE & ATTACHING PARTS

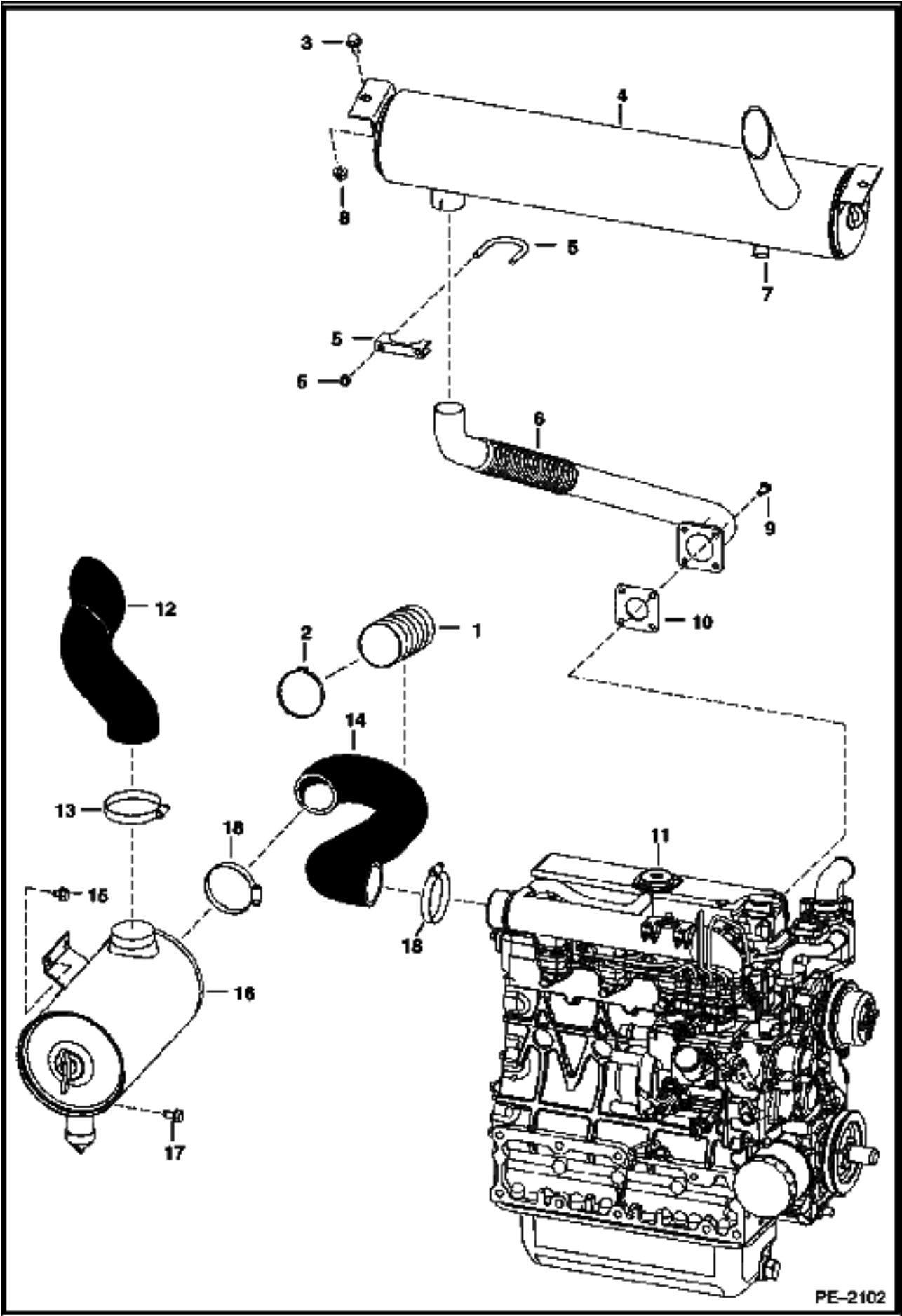


PE-2338

ENGINE & ATTACHING PARTS (Cont'd)

Ref No	Part Number	Description	Remarks	Serial Number	Qty
1	6736362	RADIATOR			1
2		ENGINE	See Illustration ENGINE & GASKET KITS/ B22694		1
3	6576028	HOSE			1
4	17C000612B	BOLT			1
5	40K000006B	PLUG			1
6	6730999	TUBE ASSY	W/Ref. 12		1
7	6578280	HOSE			1
8	5HM00042B	CLAMP			6
9	6578279	HOSE			1

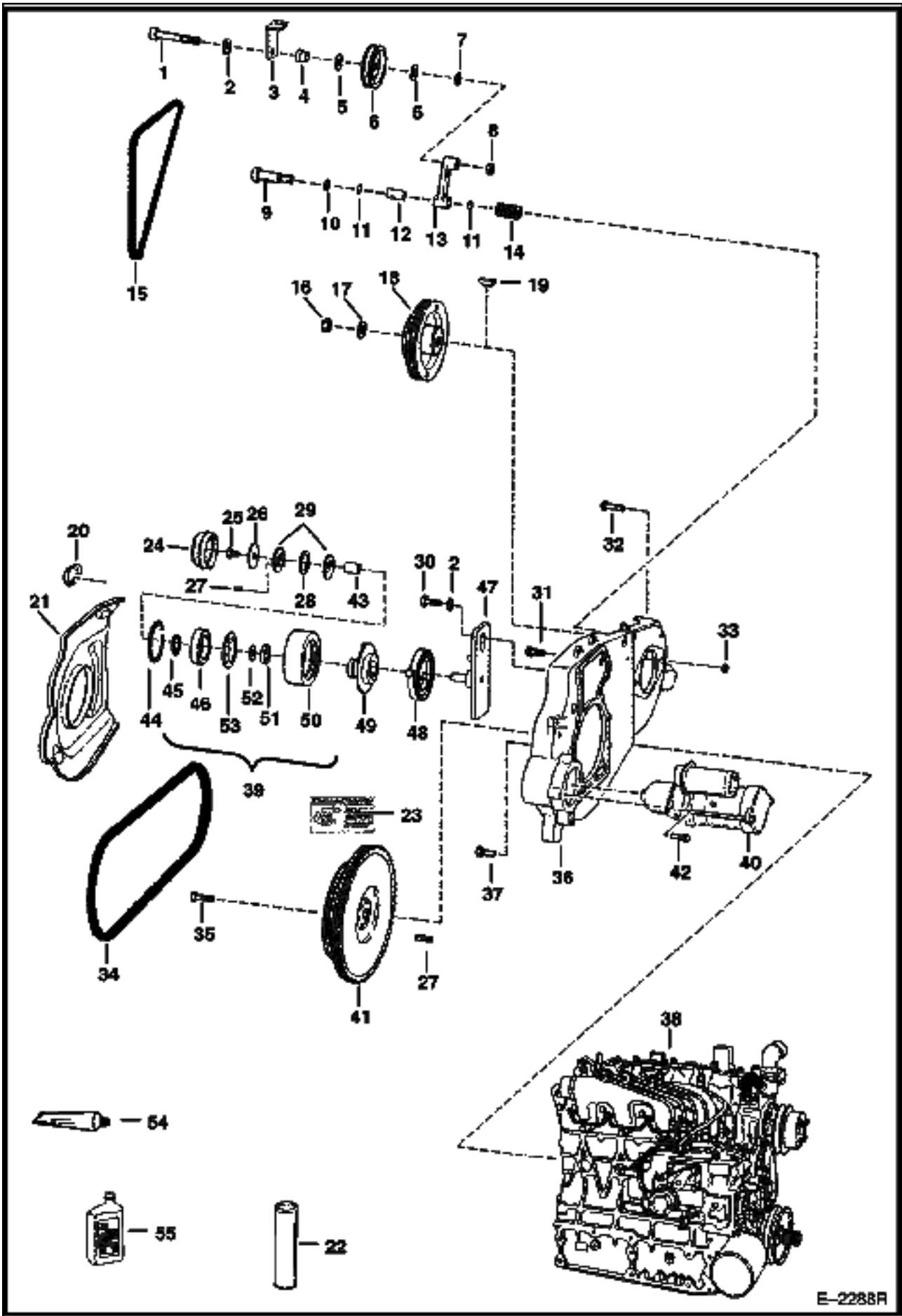
**ENGINE & ATTACHING PARTS
(Air Cleaner & Muffler)**



PE-2102

Ref No	Part Number	Description	Remarks	Serial Number	Qty
1	6706394	SHIELD	8"(203,2 mm) long		1
2	6664004	CLAMP			2
3	35C000616B	BOLT			2
4	7100840	MUFFLER			1
5	6677363	CLAMP			1
6	6701151	PIPE			1
7	6661062	PLUG	brass 3/8" (9,5 mm)		1
8	83D000006B	NUT			2
9	6701123	SCREW			4
10	6727752	GASKET			1
11		ENGINE	See Illustration ENGINE & GASKET KITS/ B22694		1
12	6737365	HOSE			1
13	42HL00325B	CLAMP			2
14	7100573	HOSE			1
15	84G003708B	BOLT			2
16		AIR CLEANER	See Illustration AIR CLEANER/ MS2186		1
17	84G003712B	BOLT			1
18	42HL00300B	CLAMP			1

**ENGINE & ATTACHING PARTS
(Belt Drive System)**

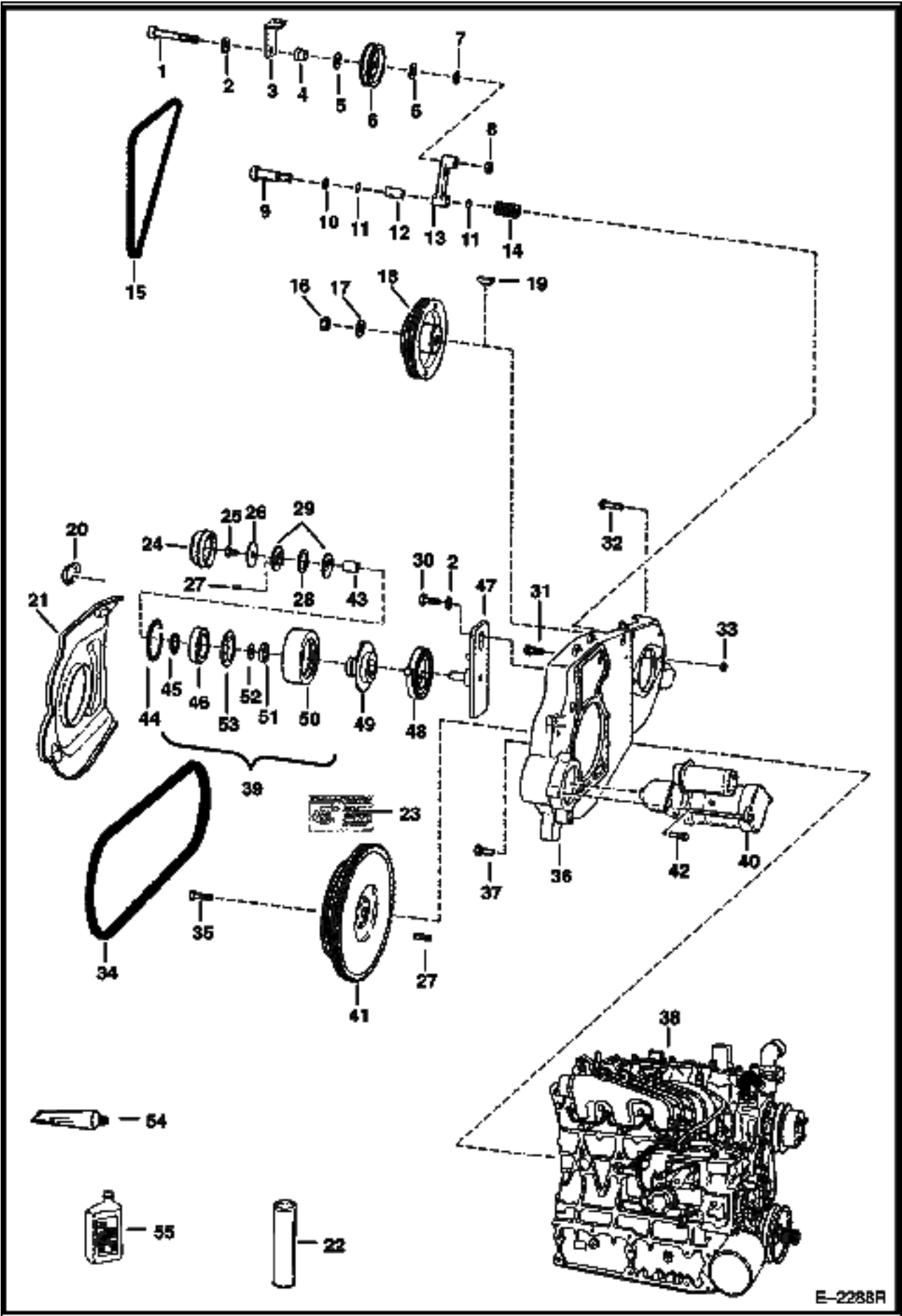


E-2288R

ENGINE & ATTACHING PARTS (Cont'd) (Belt Drive System)

Ref No	Part Number	Description	Remarks	Serial Number	Qty
1	73G000656B	BOLT			1
2	6704484	WASHER	thrust		3
3	6702474	RETAINER	fan drive idler belt		1
4	6704443	BUSHING	spacer		1
5	6660995	GREASE RING	grease		2
6	6662997	PULLEY	fan drive idler		1
7	6704444	WASHER			1
8	61D000006B	NUT			1
9	38C000820B	BOLT	shoulder		1
10	6655781	BEARING			1
11	6704820	O-RING			2
12	6670682	BEARING	nylon		1
13	6725212	ARM	W/Ref. 12		1
14	6700115	SPRING			1
15		BELT	FAN DRIVE		1
16	92D000012B	NUT			1
17	6576033	WASHER			1
18	7113635	PULLEY	to hyd. pump - 3 groove - 7.95" (202 mm) dia.		1
19	6J000807B	KEY			1
20	6703022	CLIP			3
21	7109712	SHIELD			1
22	6599719	GREASE	Use W/Ref. 39		x
23	6709030	DECAL	belt tension spring loaded idler		1
24	6708770	CAP	dust		1
25	17C000610B	BOLT			1
26	6705232	WASHER			1
27	14J001808B	PIN			2
28	6710585	WASHER	wave spring		1
29	6705231	WASHER			2
30	17C000620B	BOLT			1
31	6719828	BOLT			2
32	17C000828B	BOLT	hyd. pump mount		2
33	85D000008B	NUT			2
34	6736775	BELT	pump drive		1
35	6598275	BOLT			6
36	6726613	MOUNT			1
37	6719825	BOLT			7
38		ENGINE	See Illustration ENGINE & GASKET KITS/ B22694		1
39	6735884	IDLER ASSY.	spring loaded - Ref. 24 - 29 & 43 - 53 - Also Order Ref. 23		1
39	6714212	PULLEY ASSY.	Ref. 43 - 46 & 49 - 53,		1
40		STARTER	See Illustration STARTER/ B16488R		1
41	6736807	FLYWHEEL ASSY	W/Ring Gear		1
41	6510470	RING GEAR			1
42	35C000620B	BOLT			3
43	6682442	SLEEVE	bronze sleeve		1
44	6658847	RING			1
45	6658536	RING			1
46	6668114	BEARING	ball		1
47	6735883	BRACKET			1
48	6705491	SPRING	torsion		1
49	6711699	HUB ASSY.			1
50	6704391	PULLEY	idler		1
51	6685735	SEAL			1
52	6703168	BEARING	thrust		1

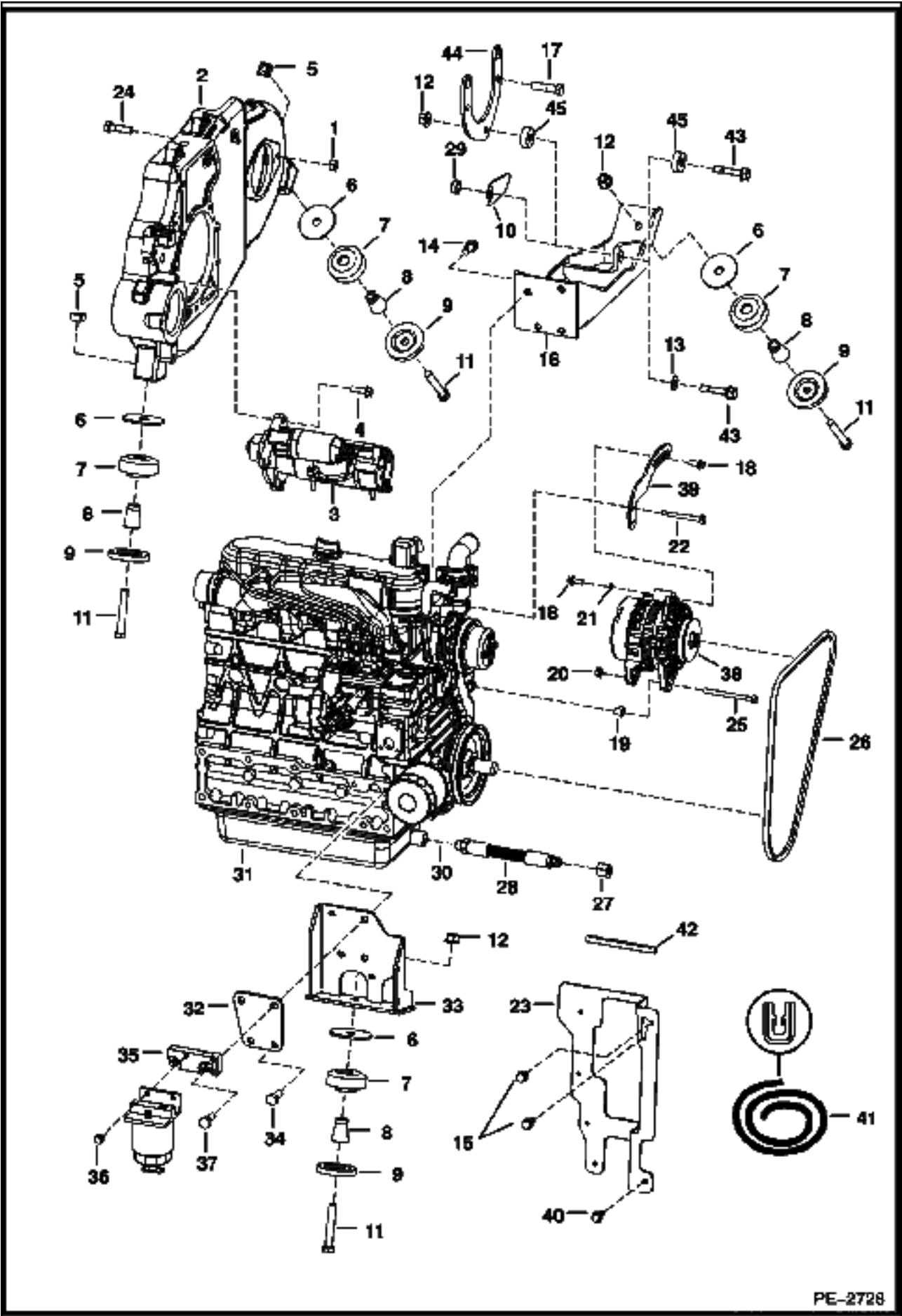
ENGINE & ATTACHING PARTS (Cont'd)
(Belt Drive System)



E-2288R

Ref No	Part Number	Description	Remarks	Serial Number	Qty
53	6664209	SEAL			1
54	6633583	SEALANT			x
55	6661405	OIL			x

**ENGINE & ATTACHING PARTS
(Engine Mounts)**

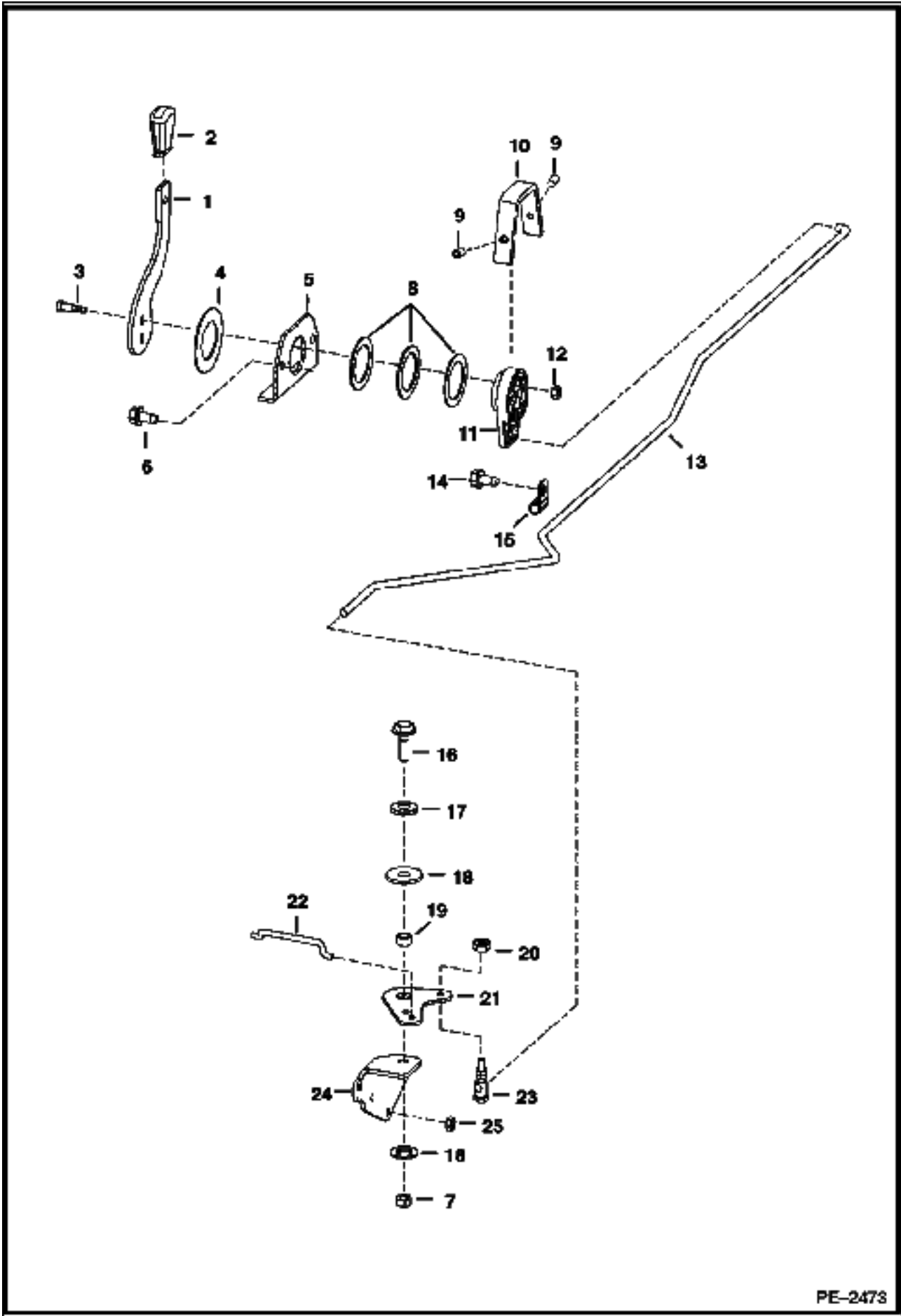


PE-2728

ENGINE & ATTACHING PARTS (Cont'd) (Engine Mounts)

Ref No	Part Number	Description	Remarks	Serial Number	Qty
1	85D000008B	NUT			2
2		MOUNT			1
3		STARTER			1
4	35C000620B	BOLT			3
5	6652918	NUT			2
6	6705106	WASHER			4
7	6661785	MOUNT			4
8	6706043	SPACER			4
9	6661787	WASHER			4
10	7114739	SPACER			1
11	43C000852B	BOLT			4
12	83D000008B	NUT			2
13	25E000021B	WASHER	use 2 max.		x
14	6719827	BOLT			4
15	84G003712B	BOLT			2
16	7104568	MOUNT	engine & hyd. pump - for horizontal hardware mounting of hydrostatic pump		1
17	53CM01240B	SCREW	hyd. pump mount - Selectable Joystick Controls		2
18	29CM00820B	BOLT			1
19	6817566	BUSHING			1
20	53DM00008B	NUT			2
21	6E000005B	WASHER			1
22	1CM00890B	BOLT			1
23	6731060	SHIELD	bolts to upright		1
24	17C000828B	BOLT	hyd. pump mount		2
25	1CM08100B	BOLT			2
26	7100572	BELT	alternator		1
27	36K000006B	CAP			1
28	6563445	HOSE			1
29	7113010	ADAPTER	manual hand controls		1
29	6553709	WASHER	selectable joystick controls		1
30	79K000008B	O-RING	flat boss face		x
31		ENGINE			1
32	6700535	SPACER			1
33	6703981	MOUNT	W/Ref. 32		1
34	6719828	BOLT			2
35	6736817	MOUNT	fuel filter		1
36	6719826	BOLT			1
37	6719829	BOLT			1
38		ALTERNATOR	90 AMP.		1
39	6730867	BRACKET			1
40	84G003716B	BOLT			2
41	6654139	MOULDING	bulk - Sold Per Foot		x
42		MOULDING	NAP - 5.5" (139,7 mm) long - Order Ref. 41		1
43	6675221	BOLT	hyd. pump mount		1
44	7107849	MOUNT	pump - Selectable Joystick Controls		1
45	7104608	BUSHING	spacer - Selectable Joystick Controls		2

ENGINE SPEED CONTROL Manual Hand Controls

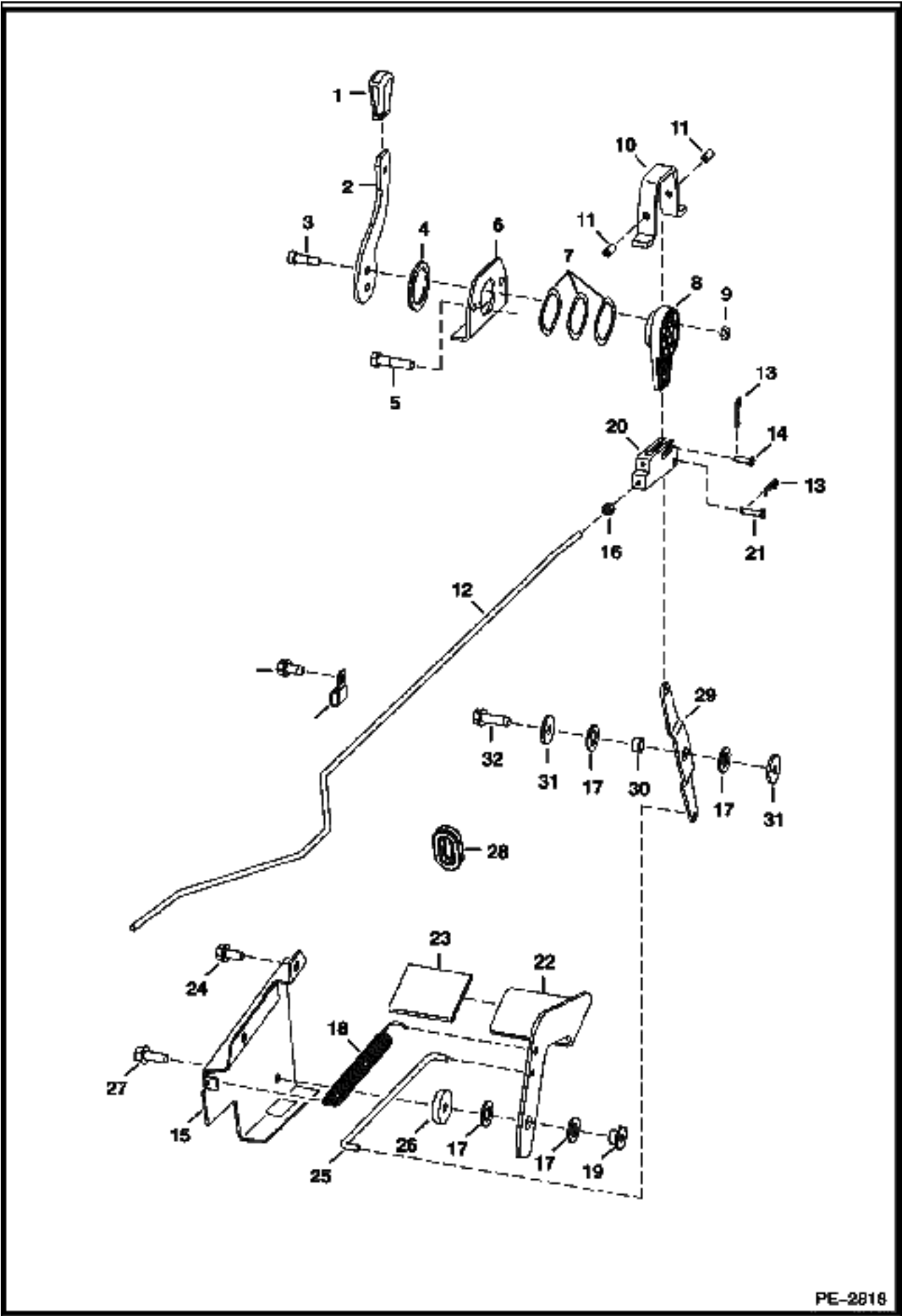


PE-2478

ENGINE SPEED CONTROL (Cont'd) Manual Hand Controls

Ref No	Part Number	Description	Remarks	Serial Number	Qty
1	6705452	LEVER			1
2	6564452	GRIP			1
3	38C000610B	BOLT	shoulder		2
4	6567962	WASHER			1
5	6576262	MOUNT			1
6	84G003724B	BOLT			2
7	95D000006B	NUT			1
8	6630945	WASHER			3
9	6706572	SET SCREW			2
10	6734520	COVER			1
11	6709022	LEVER			1
12	85D000005B	NUT			2
13	7114667	ROD	throttle		1
14	84G003712B	BOLT			1
15	31H000038B	CLAMP			1
16	84G003716B	BOLT			1
16	17C000716B	BOLT			1
17	25E000018B	WASHER			1
18	6700170	WASHER	plastic		2
19	6564343	SPACER			1
20	59D000004B	NUT			1
21	6578268	BELLCRANK			1
22	6736195	ROD			2
23	6557291	BALL JOINT			1
24	7109314	MOUNT			1
25	4DM00006B	NUT			3

ENGINE SPEED CONTROL Selectable Joystick Controls

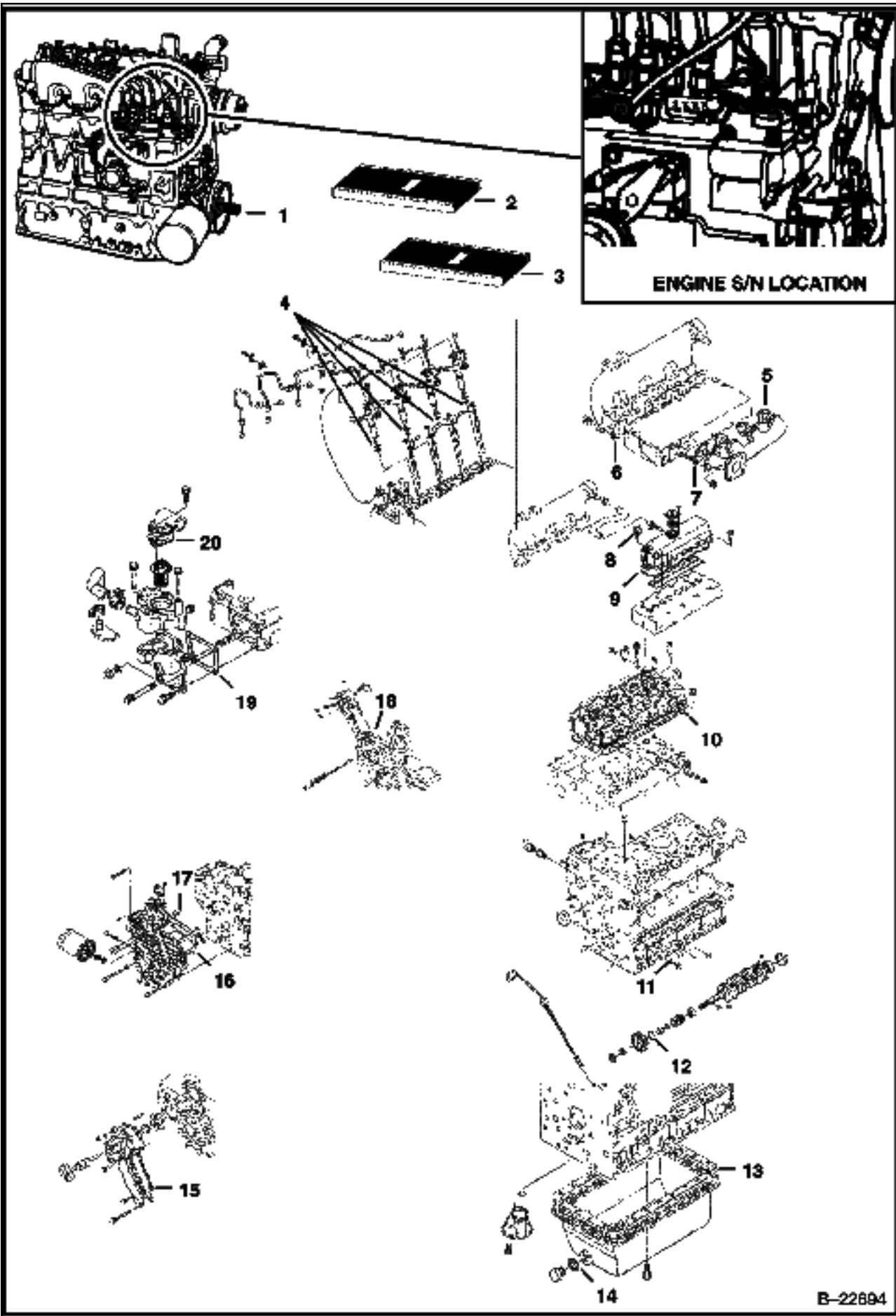


PE-2818

ENGINE SPEED CONTROL (Cont'd) Selectable Joystick Controls

Ref No	Part Number	Description	Remarks	Serial Number	Qty
1	6564452	GRIP			1
2	6705452	LEVER			1
3	38C000610B	BOLT	shoulder		2
4	6567962	WASHER			1
5	84G003724B	BOLT			2
6	6576262	MOUNT			1
7	6630945	WASHER			3
8	6734416	LEVER			1
9	85D000005B	NUT			2
10	6734520	COVER			1
11	6706572	SET SCREW			2
12	7114209	ROD	throttle		1
13	6513495	COTTER PIN			1
14	2F004051B	PIN			1
15	7114191	MOUNT			1
16	62D000004B	NUT			1
17	6700170	WASHER	plastic		4
18	6700743	SPRING			1
19	6559479	NUT	retaining		1
20	31H000016B	CLAMP			1
20	6734503	CLEVIS			1
21	1304227B	PIN			1
22	6731898	PEDAL			1
23	6554100	TREAD	safety		1
24	84G003712B	BOLT			3
25	6731900	ROD			1
26	6732322	SPACER			1
27	45C000616B	BOLT			1
28	6577961	GROMMET			1
29	6734417	LEVER			1
30	6564343	SPACER			1
31	619021B	WASHER			2
32	84G003720B	BOLT			1

ENGINE & GASKET KITS (Kubota - V2203MDI - Tier II)

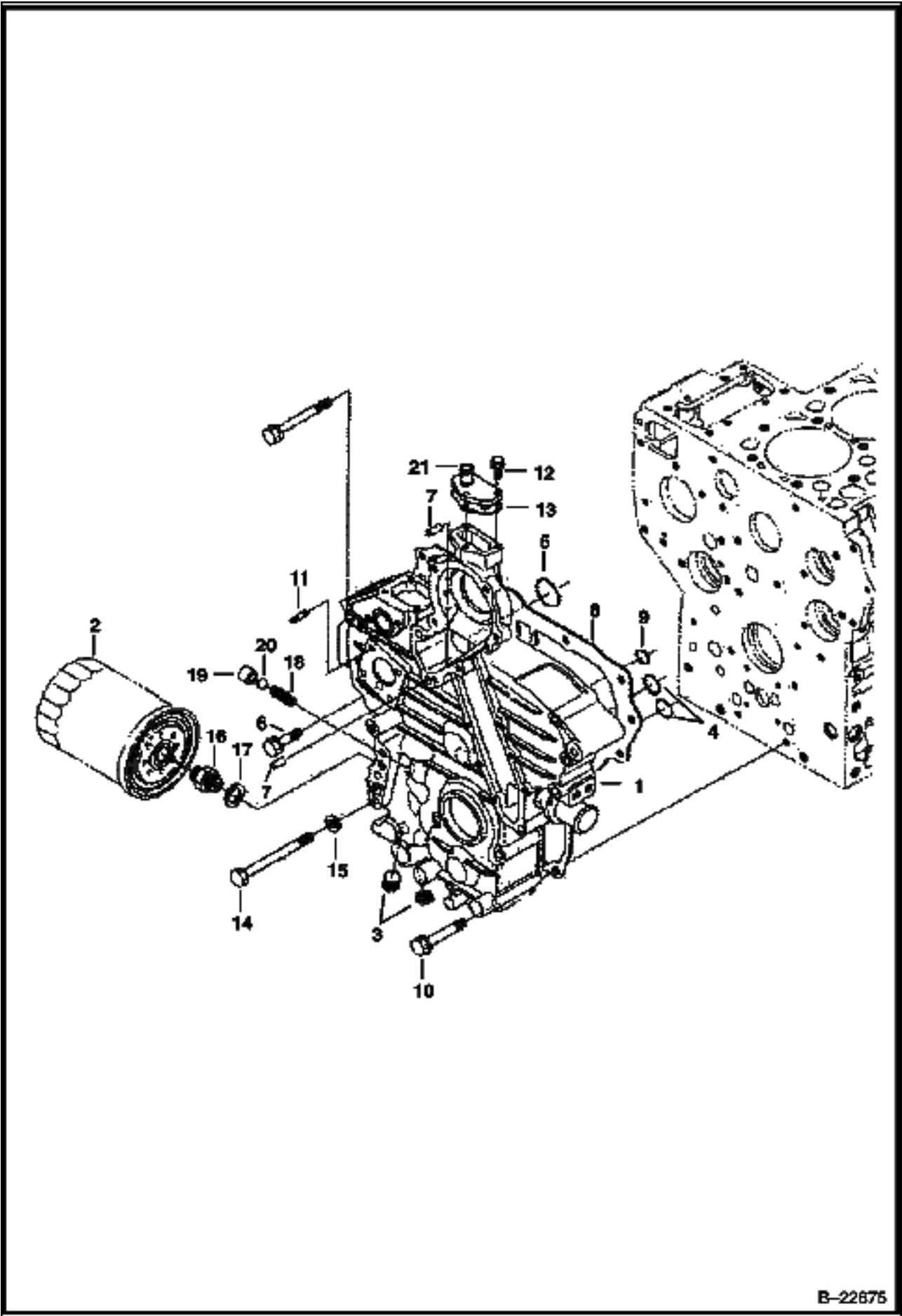


B-22894

ENGINE & GASKET KITS (Cont'd) (Kubota - V2203MDI - Tier II)

Ref No	Part Number	Description	Remarks	Serial Number	Qty
1	6683202	ENGINE	Does not include starter, alternator, flywheel, & flywheel housing		1
2	6689012	GASKET KIT	Upper		1
3	6689018	GASKET KIT	Lower		1
4	6670769	O-RING	See Illustration INJECTOR NOZZLES/ B22689		4
5	6666781	GASKET	See Illustration MANIFOLDS/ B22693		1
6	6684877	GASKET	See Illustration MANIFOLDS/ B22693		1
7	6684879	GASKET	See Illustration MANIFOLDS/ B22693		4
8	6684782	O-RING	See Illustration ROCKER ARM COVER/ B22674		1
9	6684780	GASKET	See Illustration ROCKER ARM COVER/ B22674		1
10		GASKET	See Illustration CYLINDER HEAD/ B22678 CYLINDER HEAD		x
11	3974095B	GASKET	See Illustration CRANKCASE/ B22676		7
12	3974577B	O-RING	See Illustration PISTON & CRANKSHAFT/ B22684		1
13	6684753	GASKET	See Illustration OIL PAN/ B22677 OIL PAN		1
14	6631046	SEAL	See Illustration OIL PAN/ B22677		1
15	6684870	GASKET	See Illustration WATER PUMP/ B22691		1
16	6684770	GASKET	See Illustration GEARCASE/ B22675 GEARCASE		1
17	6685468	O-RING	See Illustration GEARCASE/ B22675		1
18	6684824	GASKET	See Illustration SPEED CONTROL PLATE/ B22688 SPEED CONTROL PLATE		1
19	6666802	GASKET	See Illustration WATER FLANGE & THERMOSTAT/ B22690R WATER FLANGE		1
20	6684863	GASKET	See Illustration WATER FLANGE & THERMOSTAT/ B22690R THERMOSTAT COVER		1

GEARCASE

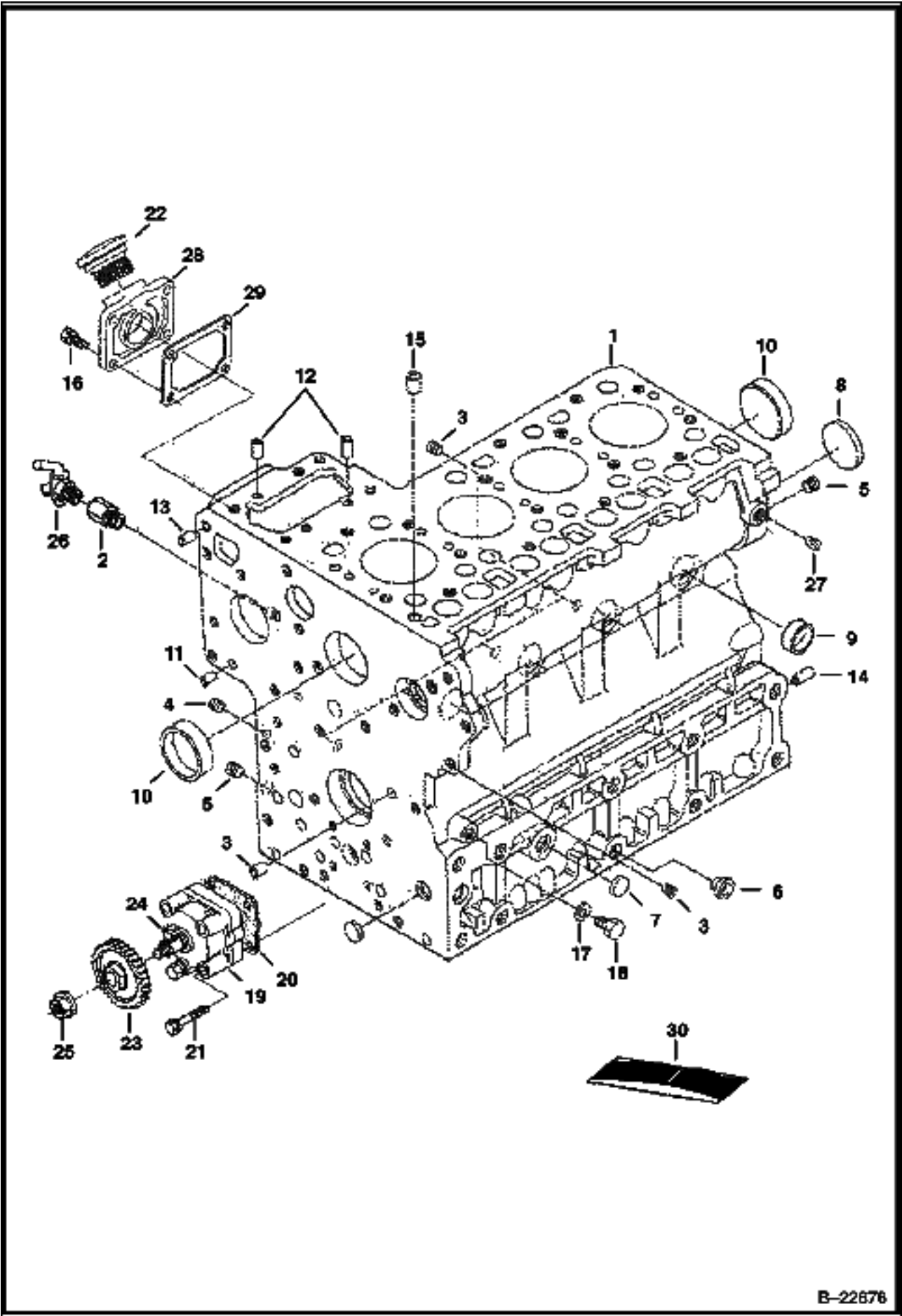


B-22675

GEARCASE (Cont'd)

Ref No	Part Number	Description	Remarks	Serial Number	Qty
1	6685523	HOUSING	assy. - W/Ref. 3 - 6 & 9		1
2	6675517	FILTER			1
3	6672360	PLUG	pin		2
4	6685467	O-RING			2
5	6685468	O-RING			1
6	1CM00835B	BOLT			1
7	3974395B	PIN	straight		2
8	6684770	GASKET	gearcase		1
9	6685466	O-RING			1
10	1CM00870B	BOLT			7
11	6652764	STUD			4
12	4CM00620B	BOLT			3
13	6684774	GASKET	water return flange		1
14	6684772	BOLT			2
15	6667422	WASHER			9
16	6653809	ADAPTER			1
17	6685501	WASHER			1
18	6652652	SPRING			1
19	3974893B	SEAT	valve		1
20	10J000013B	BALL			1
21	3974894B	FLANGE	water return		1

CRANKCASE

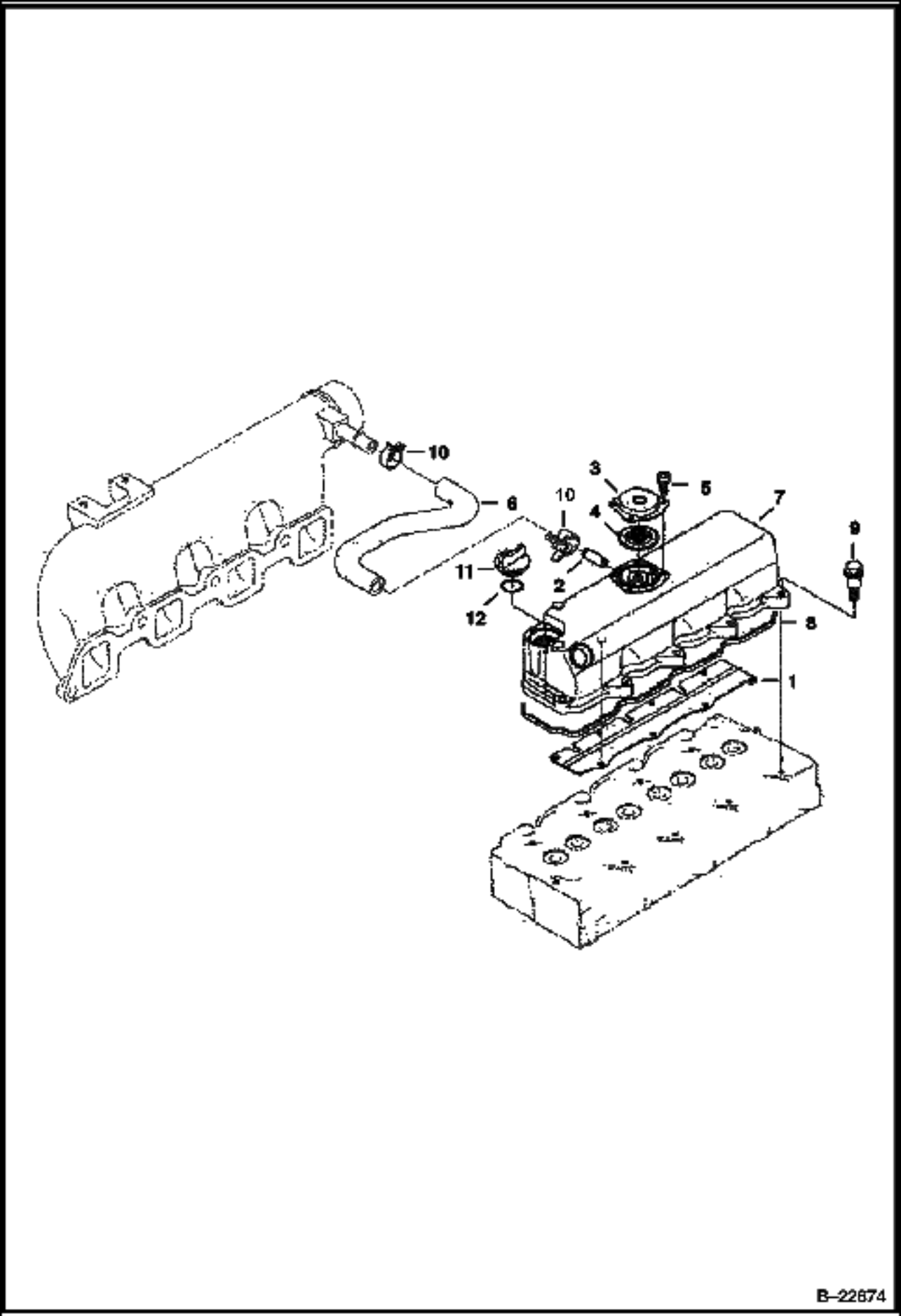


B-22676

CRANKCASE (Cont'd)

Ref No	Part Number	Description	Remarks	Serial Number	Qty
1	6685522	CRANKCASE	assy. - W/Ref. 2 - 15		1
2	3974871B	ADAPTER			1
3	6652574	PLUG			6
4	6685477	PLUG			12
5	6652575	PLUG			2
6	6598187	PLUG			2
7	6667418	PLUG	expansion		3
8	6657663	PLUG	expansion		1
9	3974389B	GASKET	sealing		6
10	6680639	PLUG	sealing		2
11	3974393B	PIN	straight		2
12	3974394B	PIN	straight		3
13	3974395B	PIN	straight		2
14	3974868B	PIN	straight		1
15	3974037B	PIN	pipe		1
16	6652580	BOLT			4
17	3974095B	GASKET			1
18	6655884	PLUG			1
19	3975426B	OIL PUMP			1
20	6666782	GASKET			1
21	6655195	BOLT			4
22	6685472	CAP	oil fill		1
23	3975441B	GEAR			1
24	15JM00410B	KEY			1
25	6653888	NUT			1
26	6672190	DRAINCOCK			1
27	16F000002B	PLUG			1
28	6685478	FLANGE	oil fill		1
29	6684752	GASKET			1
30	6689018	GASKET KIT	See Illustration ENGINE & GASKET KITS/ B22694 LOWER - DOES NOT INCLUDE REAR OIL SEAL		1

ROCKER ARM COVER

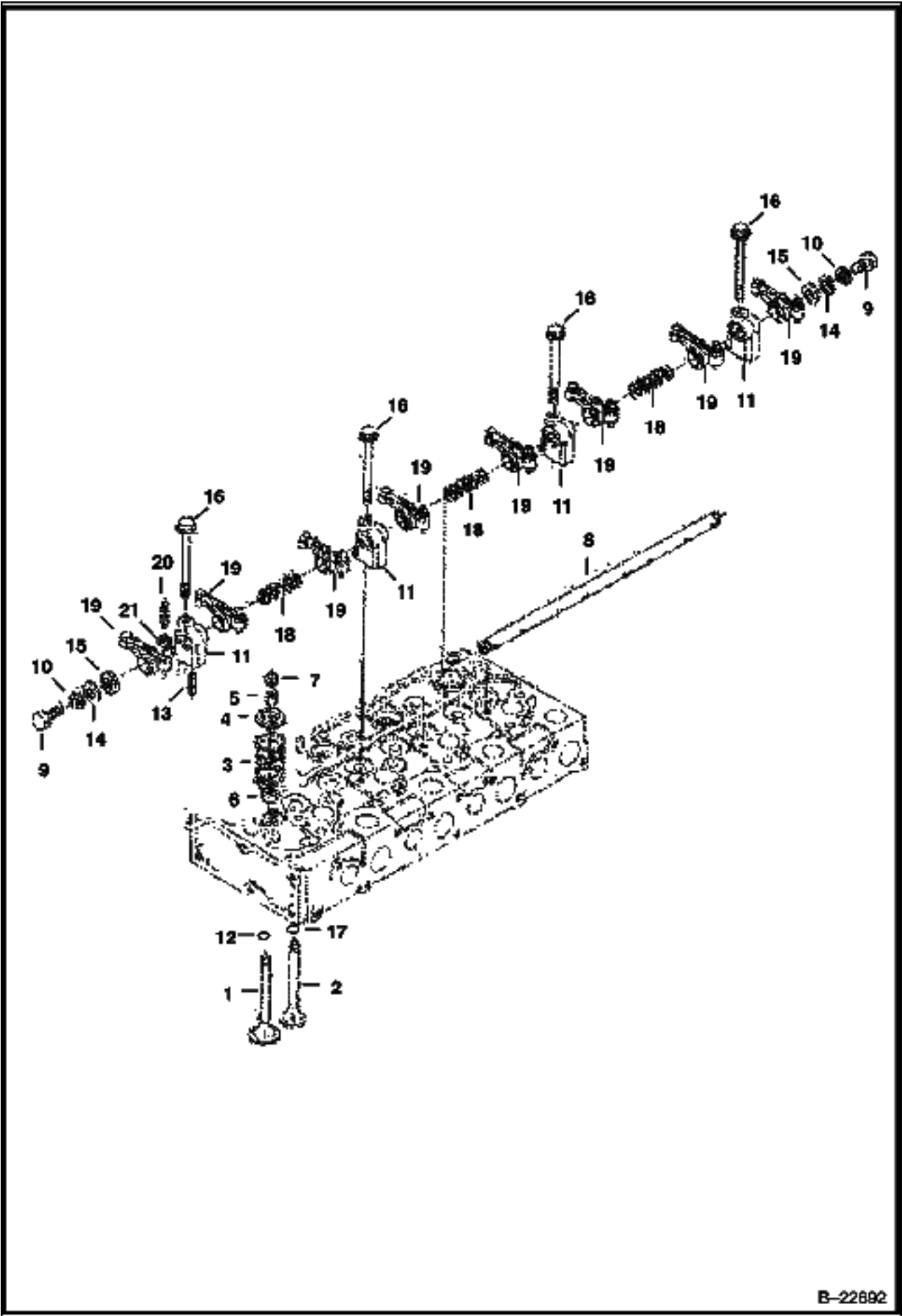


B-22874

ROCKER ARM COVER (Cont'd)

Ref No	Part Number	Description	Remarks	Serial Number	Qty
1	6684779	SHIELD	breather		1
2	6655880	PIPE			1
3	6685086	COVER			1
4	6685087	VALVE			1
5	3974928B	SCREW	W/Washer		4
6	6685524	PIPE	breather		1
7	6685085	COVER	valve		1
8	6684780	GASKET			1
9	6684781	BOLT			10
10	3974679B	BAND	pipe		2
11	6652653	PLUG	oil filler		1
12	6684782	O-RING			1

VALVE ROCKER ARM

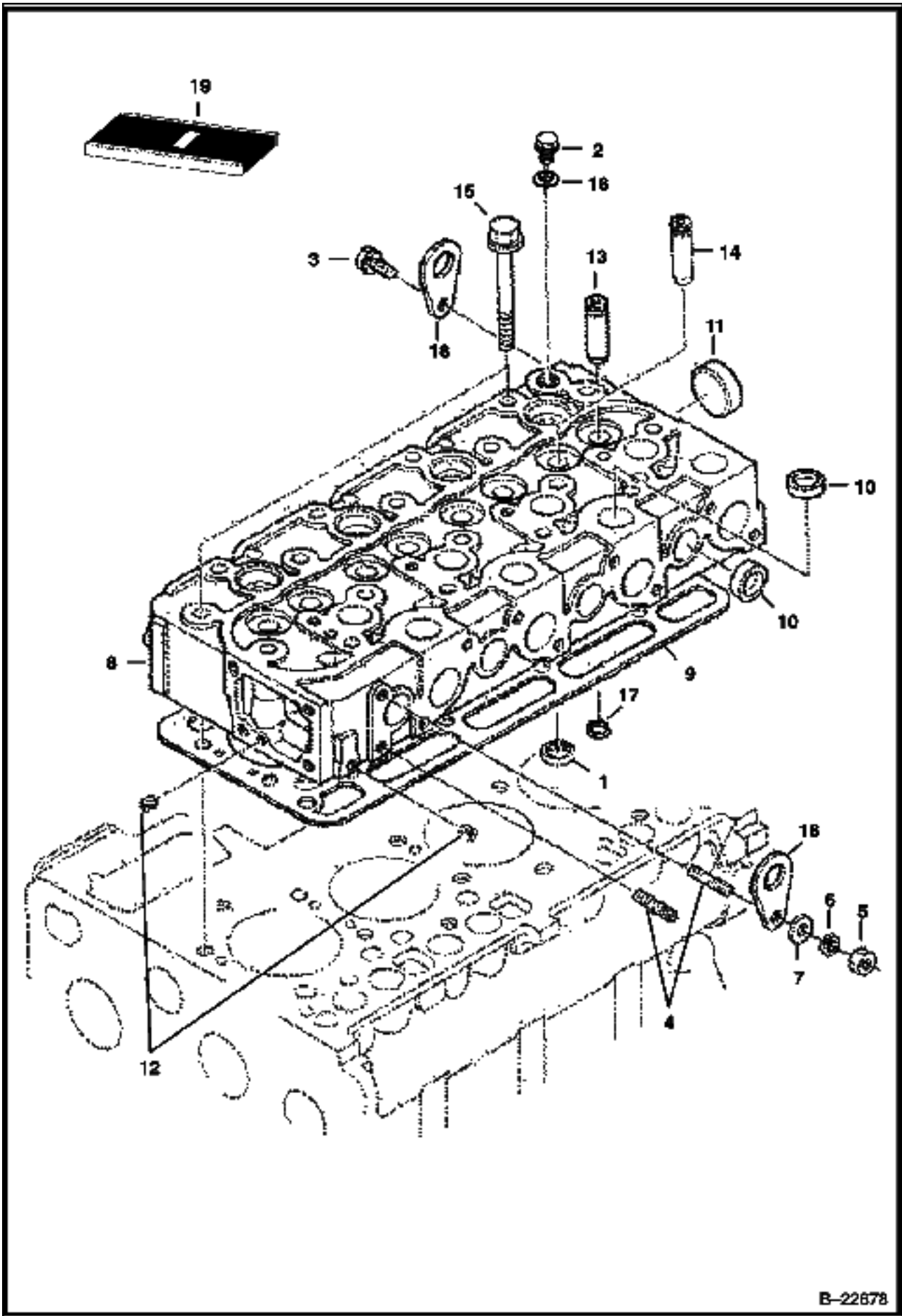


B-22892

VALVE ROCKER ARM (Cont'd)

Ref No	Part Number	Description	Remarks	Serial Number	Qty
1	6684872	VALVE	inlet		4
2	6684873	VALVE	exhaust		4
3	3974514B	SPRING	valve		8
4	3974515B	RETAINER	valve spring		8
5	6684874	COLLAR	valve spring - complete set		1
6	6653830	SEAL	valve stem		8
7	3974518B	CAP	valve		8
8	6684875	SHAFT	rocker arm		1
9	5CM00812B	BOLT			2
10	6667422	WASHER	external		2
11	3974521B	BRACKET	rocker arm		4
12	6655155	SEAT	valve inlet		4
13	6667461	PIN	spring		4
14	6667451	WASHER	spring		4
15	3974524B	WASHER			2
16	6680685	BOLT			1
17	6655156	SEAT	valve exhaust		4
18	6653833	SPRING	rocker arm		3
19	6655870	ROCKER ARM	rocker - W/Ref. 20 & 21		8
20	3974920B	SCREW	adjusting		8
21	2DM00008B	NUT			8

CYLINDER HEAD

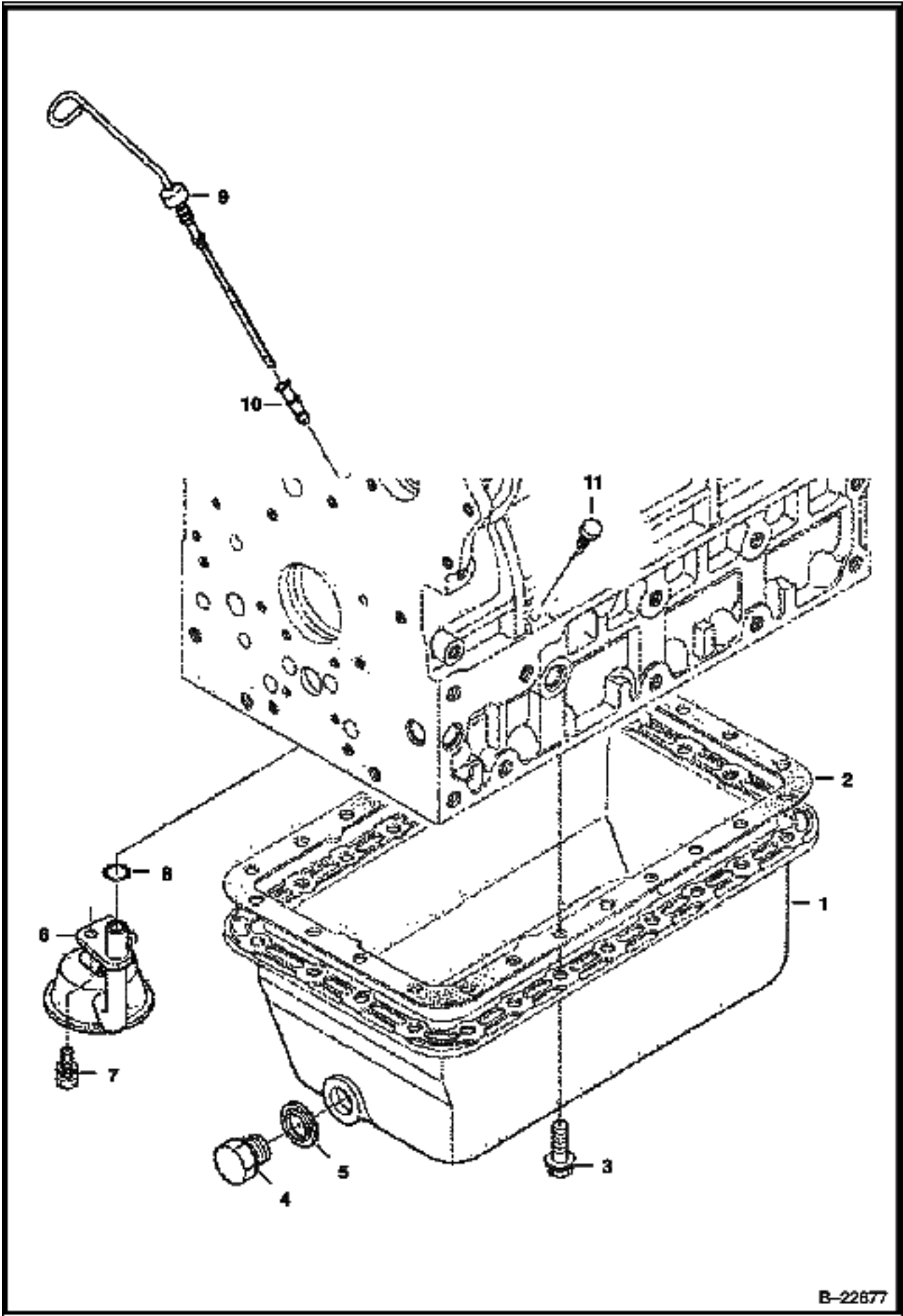


B-22678

CYLINDER HEAD (Cont'd)

Ref No	Part Number	Description	Remarks	Serial Number	Qty
1	6684762	SEAT	inlet valve		4
2	6655160	PLUG			1
3	6667421	BOLT			1
4	6598156	STUD			2
5	6652792	NUT			2
6	6667422	WASHER	spring		2
7	2EM00008B	WASHER	plain		2
8	6685503	CYLINDER	cylinder - W/Ref. 10 - 14		1
9	6685078	GASKET	cylinder head - 15		1
9	6685077	GASKET	cylinder head - 20		1
9	6685079	GASKET	cylinder head - 25		1
9	6685080	GASKET	cylinder head - 30		1
9	6685081	GASKET	cylinder head - 35		1
10	3974432B	CAP	sealing		12
11	3974433B	CAP	sealing		1
12	6598116	PLUG			2
13	6655154	GUIDE	intake valve		4
14	6684756	GUIDE	exhaust valve		4
15	6655158	BOLT			18
16	6655161	WASHER			1
17	6684763	SEAT	exhaust valve		4
18	3974882B	BRACKET			2
19	6689012	GASKET KIT	See Illustration ENGINE & GASKET KITS/ B22694 UPPER		1

OIL PAN

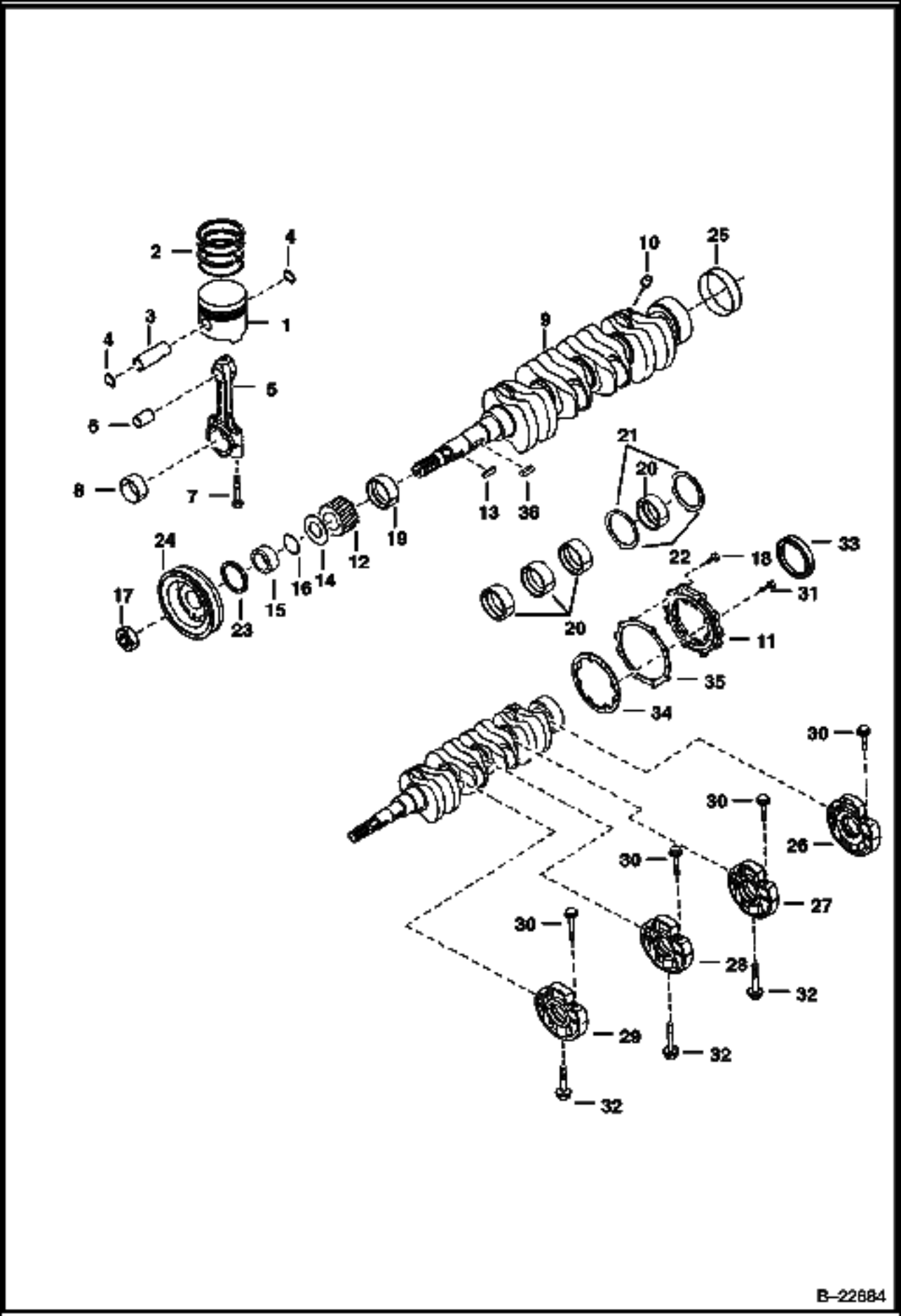


B-22677

OIL PAN (Cont'd)

Ref No	Part Number	Description	Remarks	Serial Number	Qty
1	6685518	OIL PAN			1
2	6684753	GASKET	oil pan		1
3	6653798	BOLT			24
4	6680657	PLUG	drain		1
5	6631046	SEAL			1
6	6682500	FILTER			1
7	6667420	BOLT			1
8	6684754	O-RING			1
9	6685499	DIPSTICK	oil		1
10	6677203	GUIDE			1
11	6684785	PLUG			1

PISTON & CRANKSHAFT

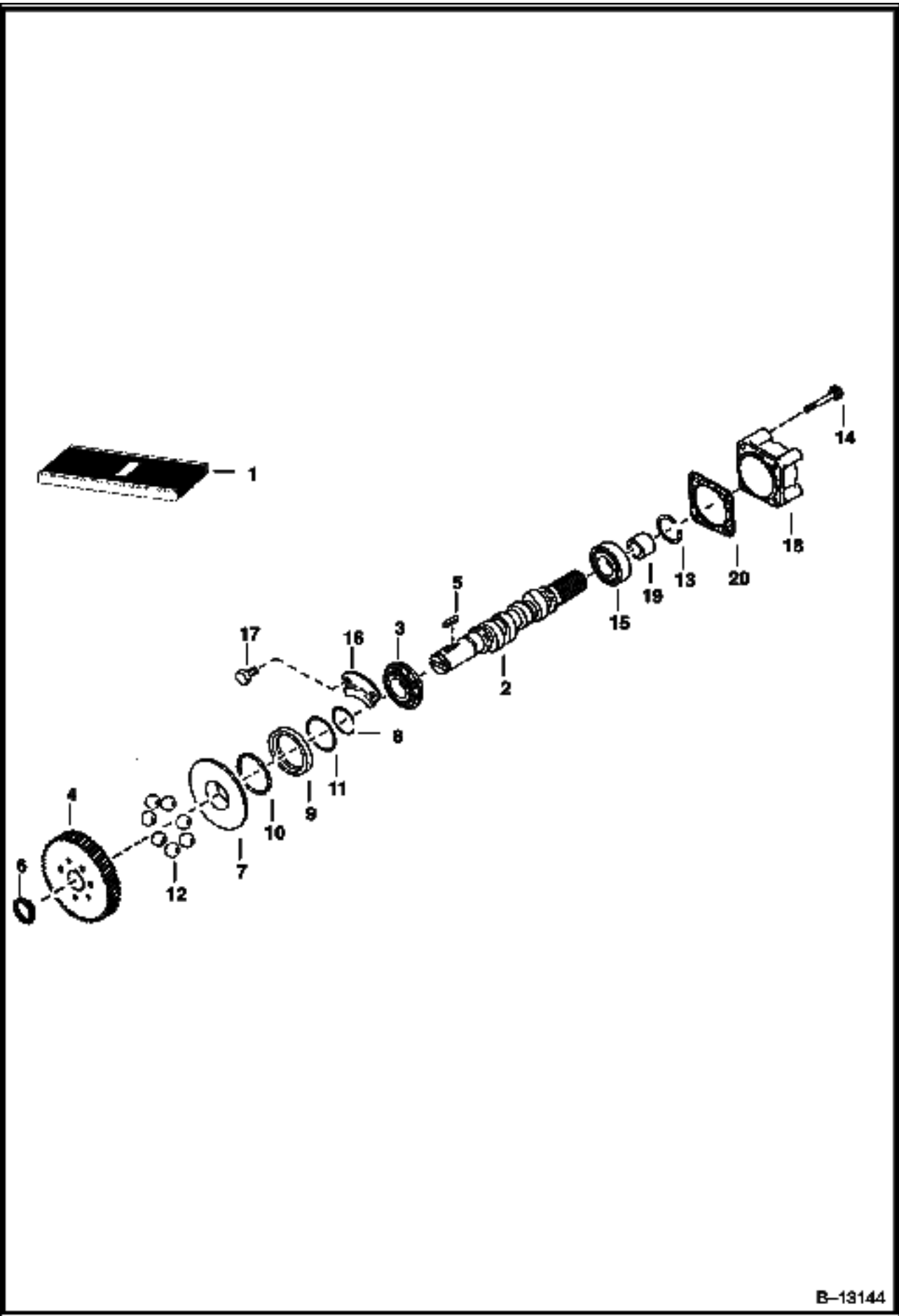


B-22884

PISTON & CRANKSHAFT (Cont'd)

Ref No	Part Number	Description	Remarks	Serial Number	Qty
1		PISTON	NAP - Std. (1G796-2112-0)		4
1	6685509	PISTON	+ .25 (00) (1G796-21910)		4
1		PISTON	NAP - Std. (05) (1G796-21110)		4
1	6685508	PISTON	+ .25 (05) (1G796-21900)		4
1	6685507	PISTON	Std. (10) (1G796-21130)		4
1	6685510	PISTON	+ .25 (10) (1G796-21920)		4
2	6685095	RING	piston - Std.		4
2	6685096	RING	piston - +.25		4
3	6655179	PIN			4
4	6655180	CIR-CLIP			8
5	6655181	ROD	connecting - W/Ref. 6, 7 & 8		4
6	6655243	BUSHING			4
7	6655498	BOLT			8
8	6655183	PIN	rod - Std.		4
8	6655236	PIN	rod (0,2 mm-.0079)		4
8	6655237	PIN	rod (0,4 mm-.0157)		4
9	6688546	CRANKSHAFT	W/Ref. 10 & 25 - Ref. 10 must be installed before using		1
10	6652633	BALL	Must be installed before using Ref. 9 crankshaft - See S/L dated 3 Jan 85		4
11	6685515	COVER			1
12	6685481	GEAR			1
13	3974546B	KEY			2
14	6653861	SLINGER	oil		1
15	3975337B	COLLAR			1
16	3974577B	O-RING			1
17	3974671B	NUT			1
18	4CM00825B	BOLT			8
19	6685486	BEARING	main - Std.		1
19	6685490	BEARING	main (0,2 mm-.0079)		1
19	6685491	BEARING	main (0,4 mm-.0157)		1
20	6685487	BEARING	main - Std.		4
20	6685492	BEARING	main (0,2 mm-.0079)		4
20	6685493	BEARING	main (0,4 mm-.0157)		4
21	6685488	WASHER	thrust - Std.		2
21	6685494	WASHER	thrust (0,2 mm-.0079)		2
21	6685495	WASHER	thrust (0,4 mm-.0157)		2
22	6685489	WASHER	thrust - Std.		2
22	6685496	WASHER	thrust (0,2 mm-.0079)		2
22	6685497	WASHER	thrust (0,4 mm-.0157)		2
23	6631664	SEAL	oil		1
24	6685521	PULLEY			1
25	6653859	SLEEVE			1
26	6685480	CASE	main bearing - W/Ref. 30		1
27	6685485	CASE	main bearing - W/Ref. 30		1
28	6685484	CASE	main bearing - W/Ref. 30		1
29	6685483	CASE	main bearing - W/Ref. 30		1
30	6685482	BOLT			8
31	4CM00828B	BOLT			8
32	6653821	BOLT			3
33	6684789	SEAL	oil		1
34	6684788	GASKET			1
35	6666814	GASKET			1
36	6685469	KEY			1

FUEL CAMSHAFT

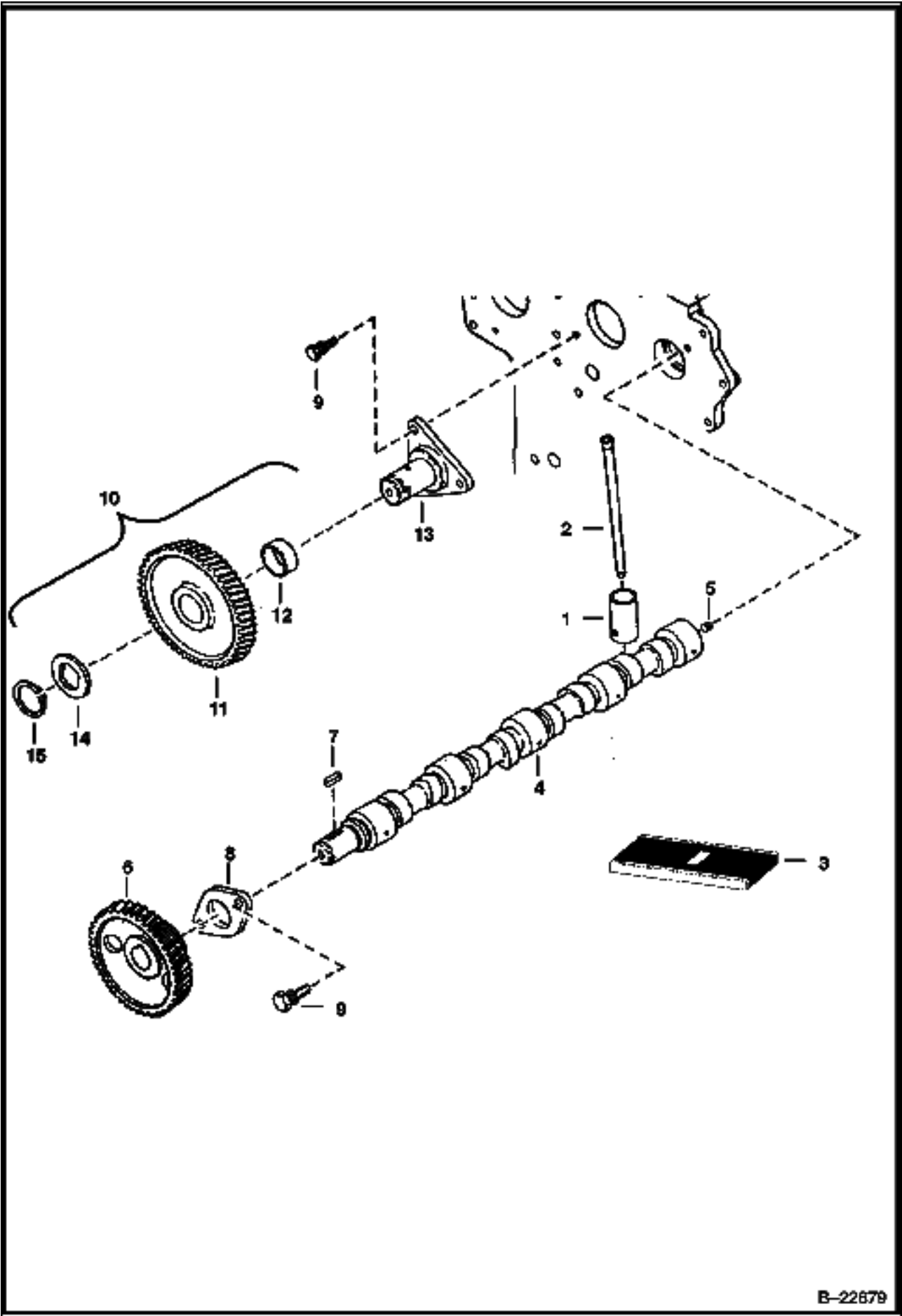


B-13144

FUEL CAMSHAFT (Cont'd)

Ref No	Part Number	Description	Remarks	Serial Number	Qty
1	6685504	CAMSHAFT	assy. - Ref. 2-14		1
2		CAMSHAFT	NAP - fuel		1
3	851242B	BEARING			1
4	6655212	GEAR	injection pump		1
5	6598099	KEY			1
6	5JM00024B	CIRCLIP	external		1
7	6655213	SLEEVE	governor		1
8	3974618B	CIRCLIP	sleeve		1
9	6655214	CASE	governor ball		1
10	10J000005B	BALL			39
11	3974620B	CIRCLIP	ball case		1
12	6655215	BALL			7
13	6598158	CIRCLIP	governor ball		1
14	6651934	BOLT			7
15	6685479	BEARING			1
16	6685517	STOPPER			1
17	6667420	BOLT			2
18	3974996B	COVER	fuel camshaft		1
19	6685516	COLLAR			1
20	6684813	GASKET			1

CAMSHAFT

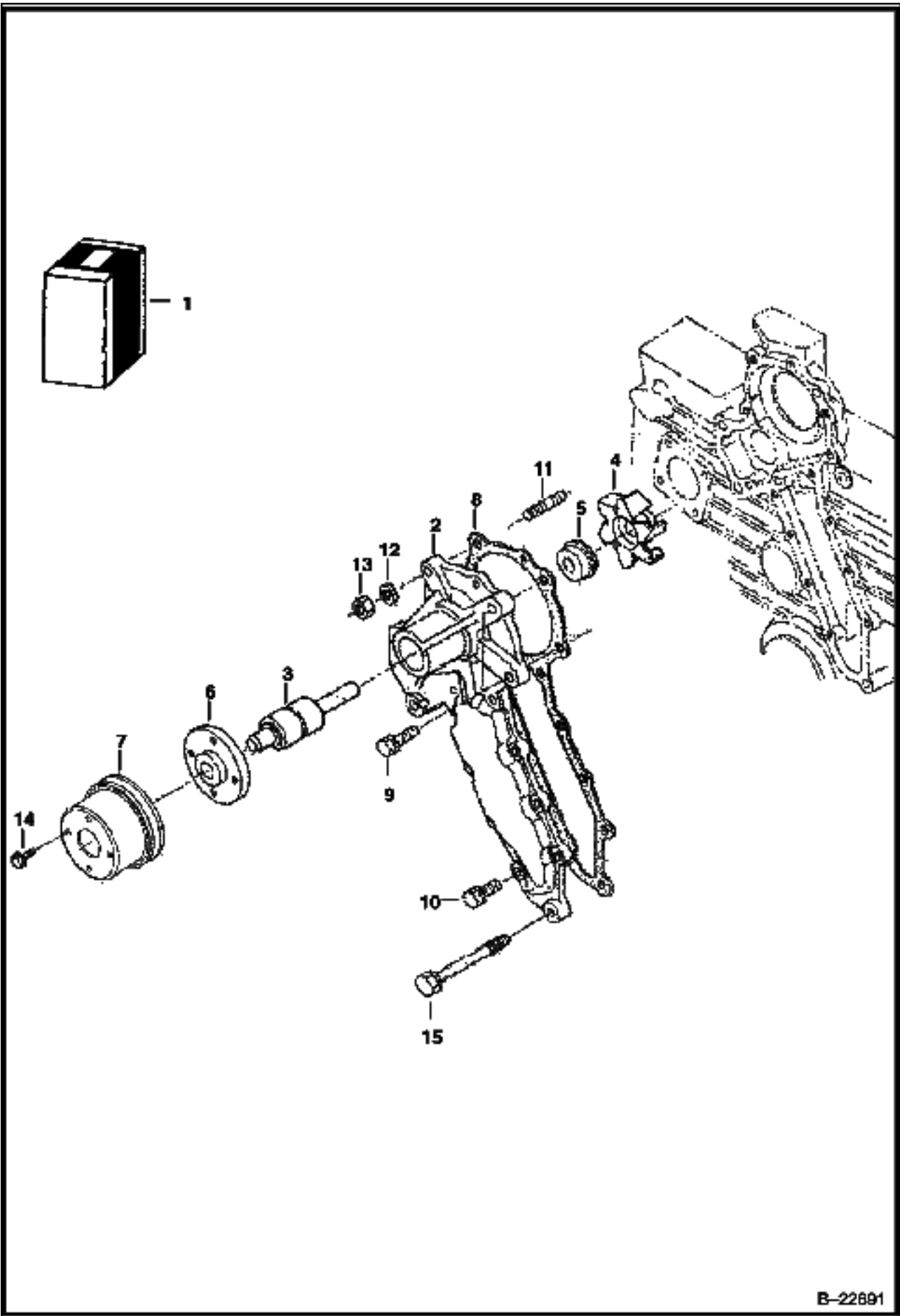


B-22679

CAMSHAFT (Cont'd)

Ref No	Part Number	Description	Remarks	Serial Number	Qty
1	6667428	TAPPET			8
2	6655176	PUSHROD			8
3	6684791	CAMSHAFT	assy. - Ref. 4-8		1
4	6655384	CAMSHAFT			1
5	6652633	BALL	seat		1
6	6684792	GEAR	camshaft		1
7	3974546B	KEY			1
8	3974547B	STOPPER	camshaft		1
9	4CM00818B	BOLT			5
10	6684793	GEAR	idle - W/Ref. 11 & 12		1
11		GEAR	NSS - idle - Order Ref. 10		2
12	6684794	BUSHING	idle gear		1
13	6685519	SHAFT	idle gear		1
14	6684795	COLLAR			1
15	6667433	CIRCLIP	external		1

WATER PUMP

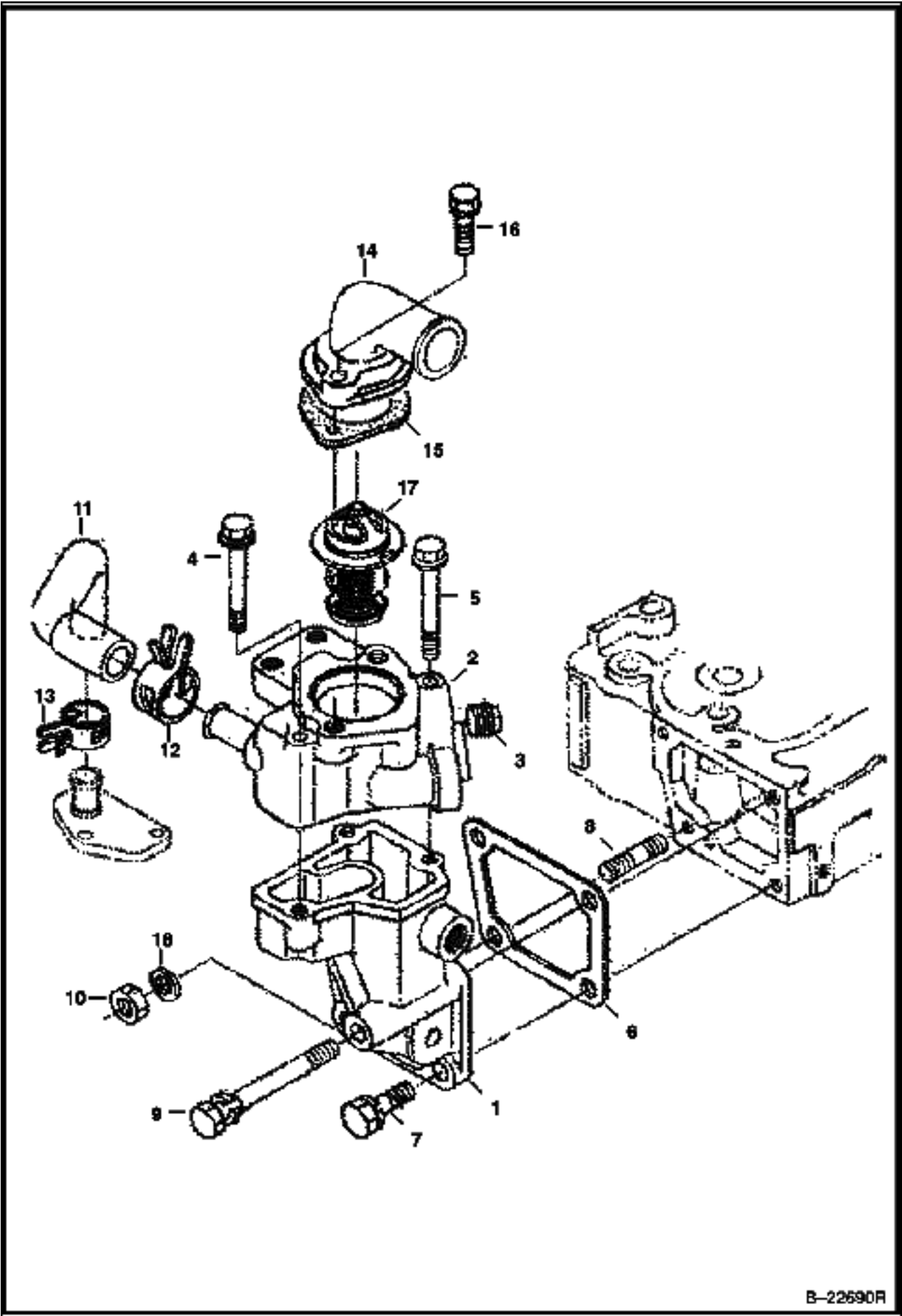


B-22891

WATER PUMP (Cont'd)

Ref No	Part Number	Description	Remarks	Serial Number	Qty
1	6685105	PUMP	Ref. 2-6		1
2	6685106	HOUSING			1
3	6685474	BEARING			1
4	6684867	FAN			1
5	6684868	SEAL			1
6	6684869	FLANGE			1
7	6674169	PULLEY	fan		1
8	6684870	GASKET			1
9	4CM00828B	BOLT			2
10	6652580	BOLT			6
11	6653946	STUD			2
12	6667422	WASHER	spring		2
13	6652792	NUT			2
14	6652762	BOLT			4
15	6653808	BOLT			4

WATER FLANGE & THERMOSTAT

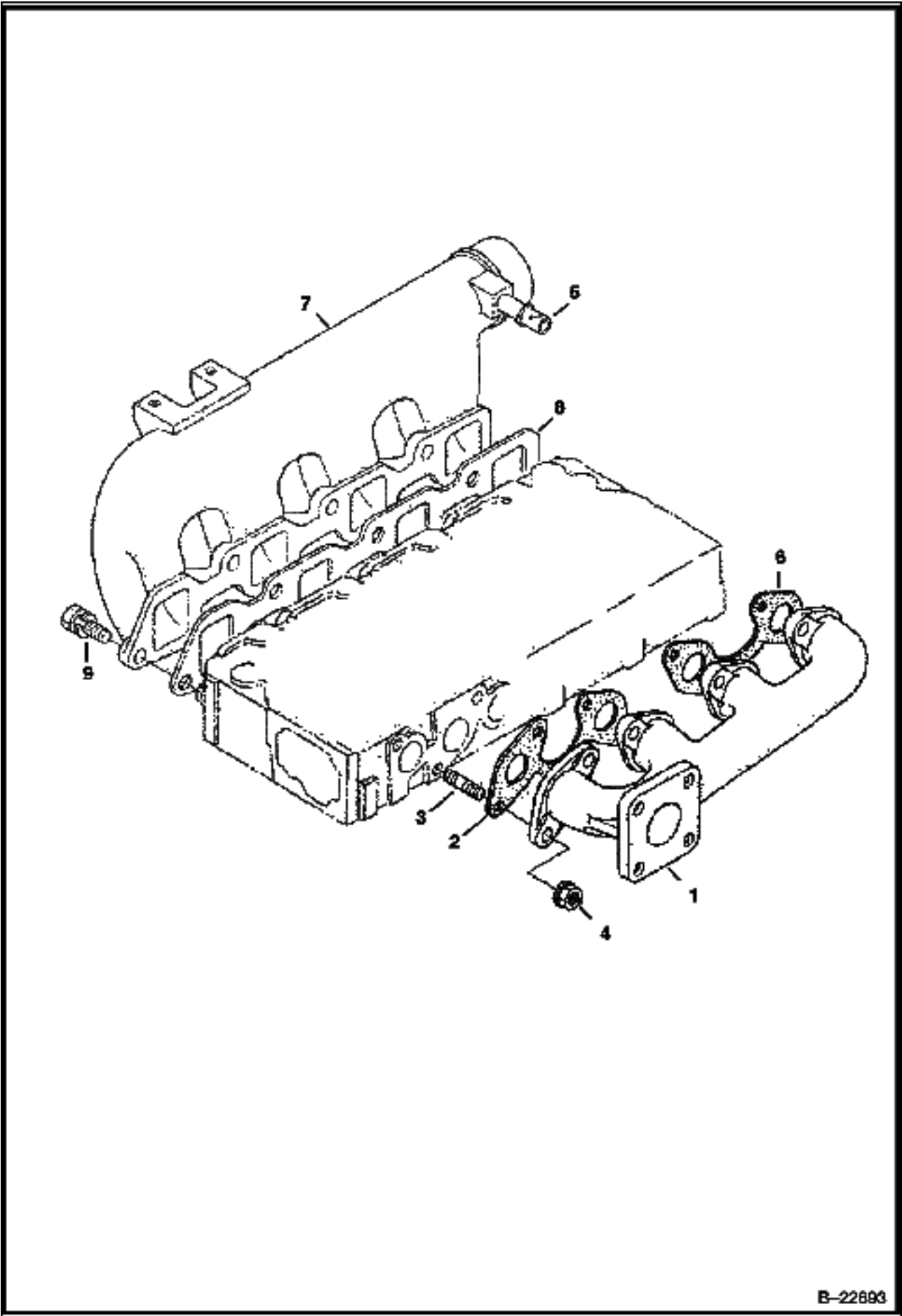


B-22590R

WATER FLANGE & THERMOSTAT (Cont'd)

Ref No	Part Number	Description	Remarks	Serial Number	Qty
1	6684855	FLANGE			1
2	6684856	FLANGE			1
3	6684857	PLUG			2
4	6683159	BOLT			2
5	6685104	BOLT			1
6	6666802	GASKET			1
7	6657415	BOLT			2
8	6652670	STUD			1
9	1CM00875B	BOLT			1
10	6652792	NUT			1
11	6684862	PIPE			1
12	6675618	CLAMP			1
13	6684889	CLAMP			1
14	6651489	COVER			1
15	6684863	GASKET			1
16	1CM00835B	BOLT			2
17	6685520	THERMOSTAT			1
18	6667422	WASHER	spring		1

MANIFOLDS

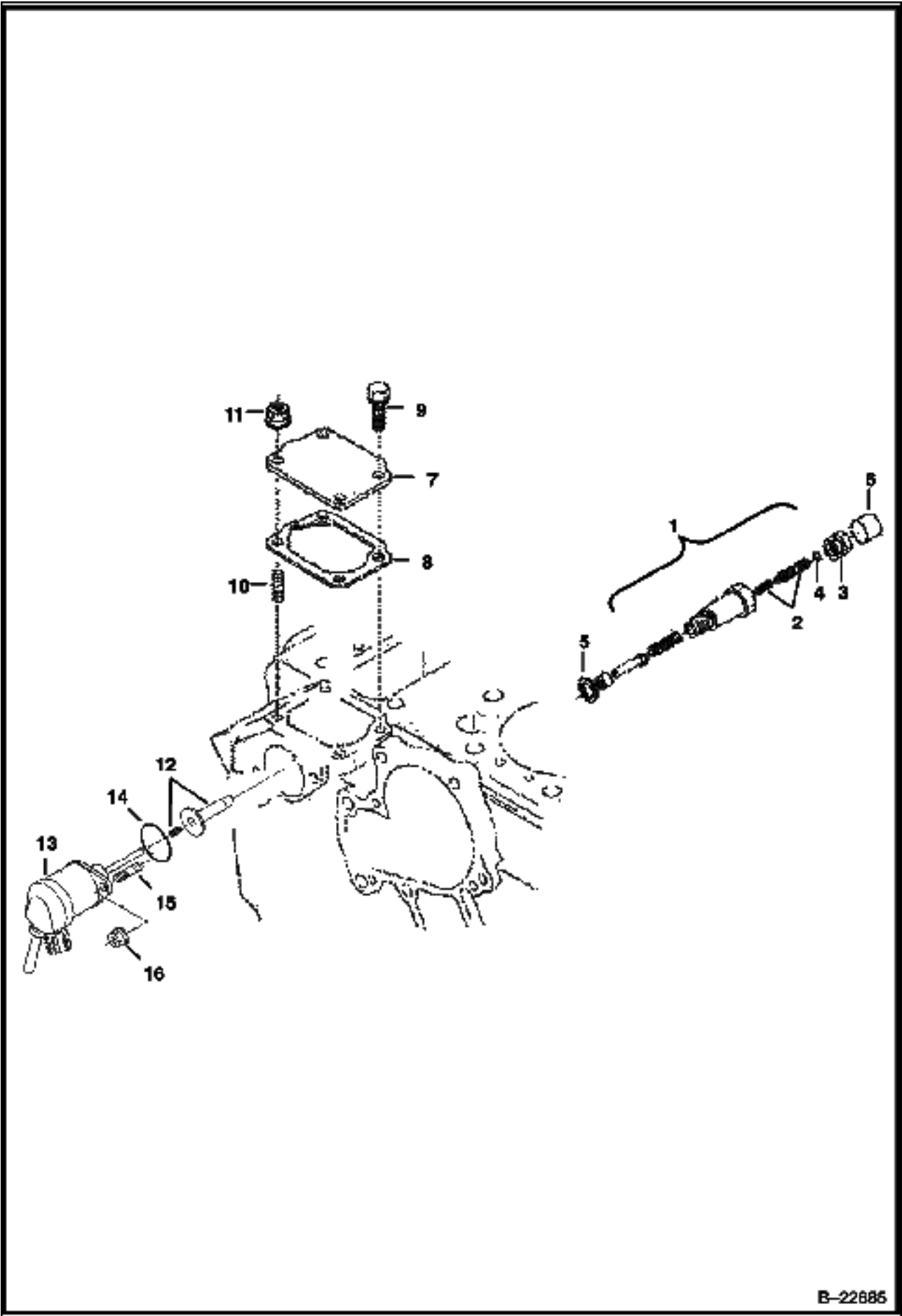


B-22893

MANIFOLDS (Cont'd)

Ref No	Part Number	Description	Remarks	Serial Number	Qty
1	6685475	MANIFOLD	exhaust		1
2	6684879	GASKET			1
3	6652670	STUD			8
4	6682532	NUT			8
5	6655880	PIPE			1
6	6666781	GASKET			1
7	6685525	MANIFOLD	intake - W/Ref. 5		1
8	6684877	GASKET			1
9	4CM00822B	BOLT			7

ENGINE STOP LEVER

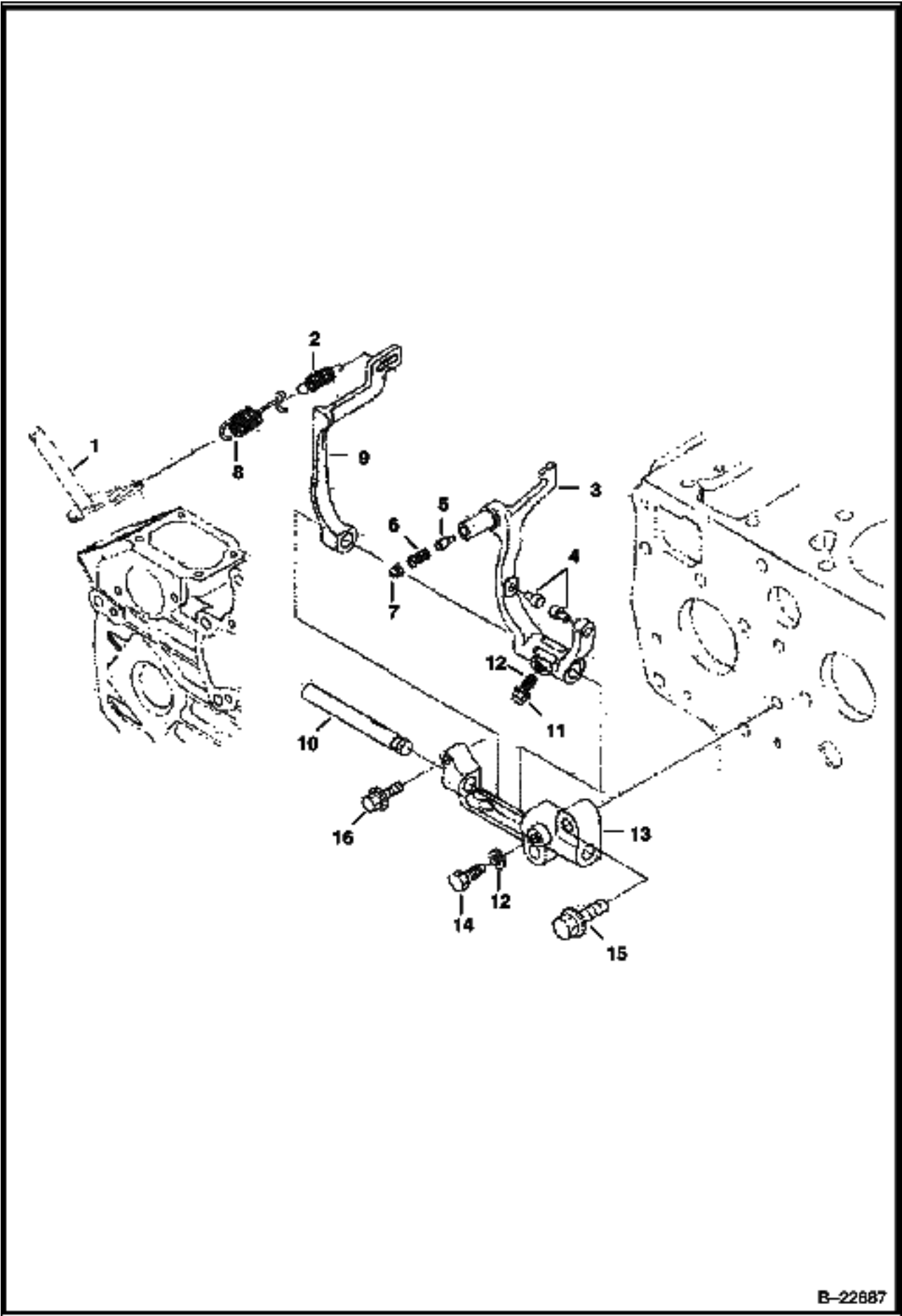


B-22885

ENGINE STOP LEVER (Cont'd)

Ref No	Part Number	Description	Remarks	Serial Number	Qty
1	6686334	APPARATUS	Assy., idle - Ref. 2-6		1
2	6685513	BOLT	adjusting		1
3	6684817	NUT	adjusting		1
4	6684891	SEAL			1
5	6684818	SEAL			2
6	6684819	CAP			1
7	6685500	COVER			1
8	6684841	GASKET			1
9	4CM00616B	BOLT			2
10	6683087	STUD			2
11	6670533	NUT			2
12	6684825	GUIDE	solenoid		1
13	6684826	SOLENOID			1
14	6685465	O-RING			1
15	6652764	STUD			2
16	6684827	NUT			2

GOVERNOR

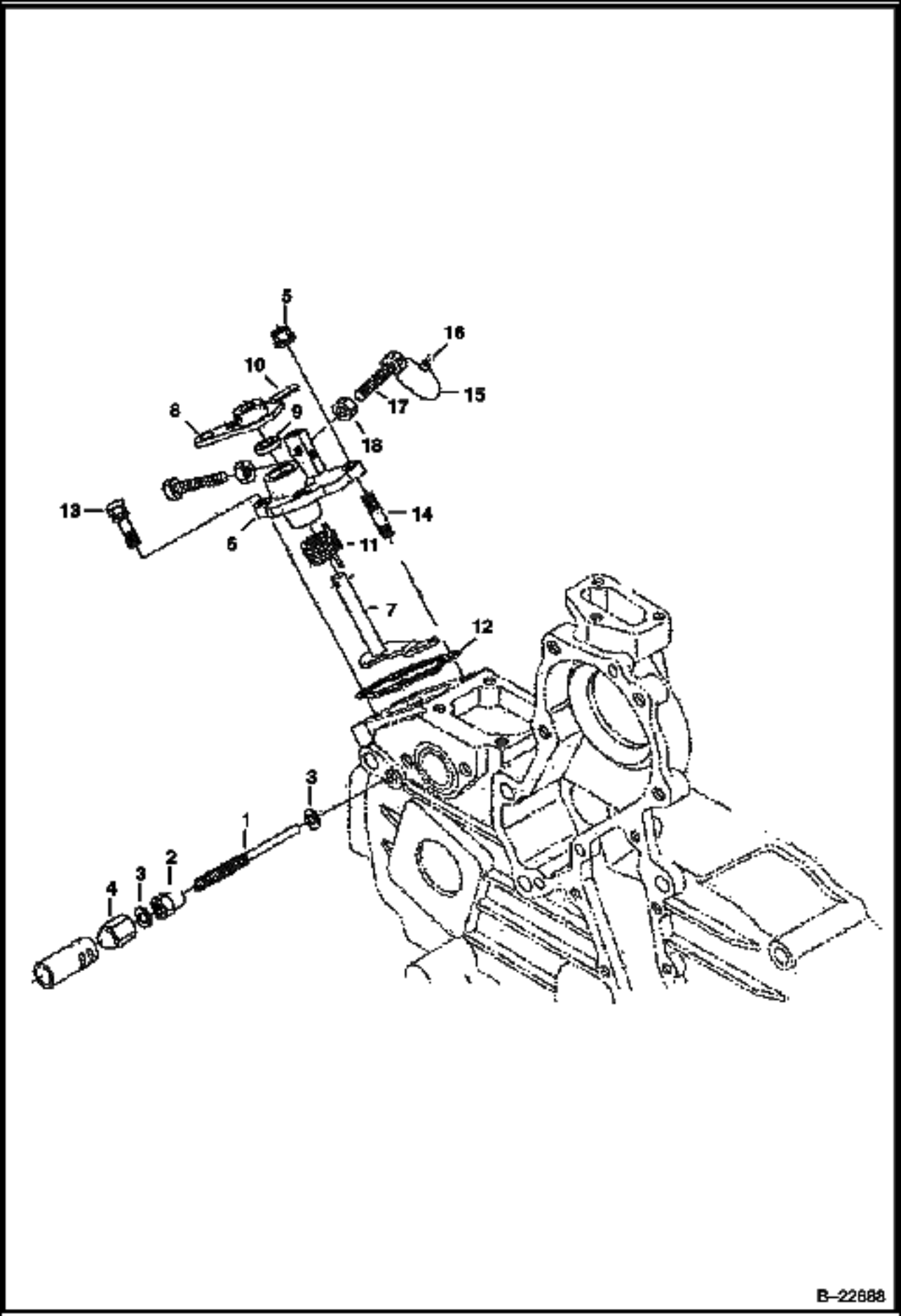


B-22887

GOVERNOR (Cont'd)

Ref No	Part Number	Description	Remarks	Serial Number	Qty
1	6684838	LEVER	governor		1
2	6685514	SPRING			1
3	6689100	LEVER	fork - W/Ref. 4-7		1
4		PIN	NSS		2
5		PIN	NSS		1
6		SPRING	NSS		1
7		SCREW	NSS		1
8	6685502	SPRING	governor		1
9	6684832	LEVER			1
10	6684833	SHAFT			1
11	6680830	BOLT			1
12	6667419	WASHER			2
13	6653916	HOLDER			1
14	3974192B	BOLT			1
15	6680706	BOLT			2
16	6685464	BOLT			1

SPEED CONTROL PLATE

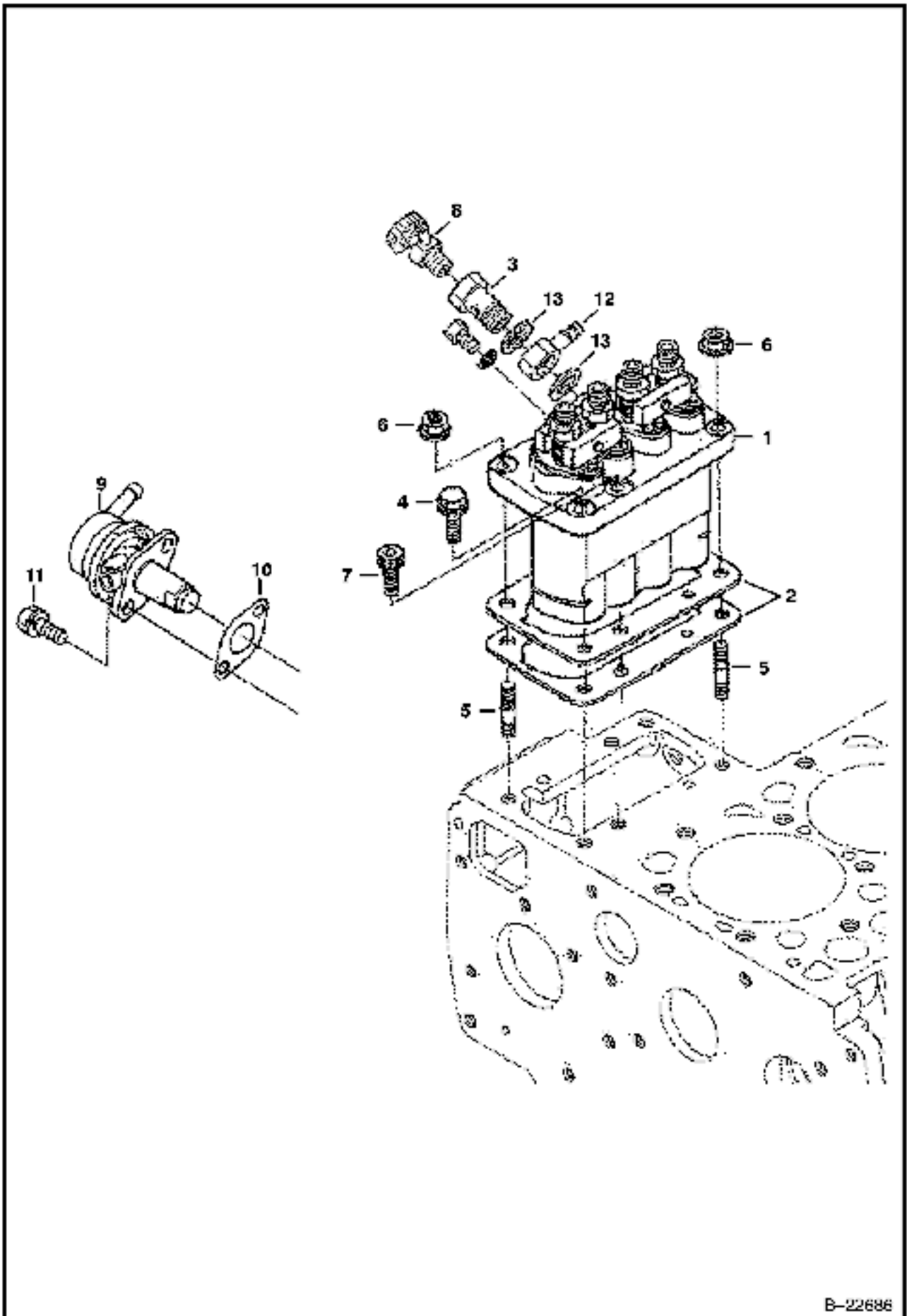


B-22888

SPEED CONTROL PLATE (Cont'd)

Ref No	Part Number	Description	Remarks	Serial Number	Qty
1	6684836	BOLT	adjusting - W/Ref. 2		1
2	3974971B	NUT			1
3	3974972B	GASKET			2
4	6655223	NUT	cap		1
5	6670533	NUT			2
6	6685526	PLATE	control assy. - Ref. 7-11, 17 &18		1
7	6684838	LEVER			1
8	6684839	LEVER			1
9	6685476	SEAL			1
10	6598098	PIN	spring		1
11	6684823	SPRING			1
12	6684824	GASKET			1
13	4CM00020B	BOLT			2
14	6652764	STUD			2
15		WIRE	NAP		1
16		LEAD	NAP - sealing		1
17		STOPPER	NAP		2
18		NUT	NAP		2

FUEL & INJECTION PUMP

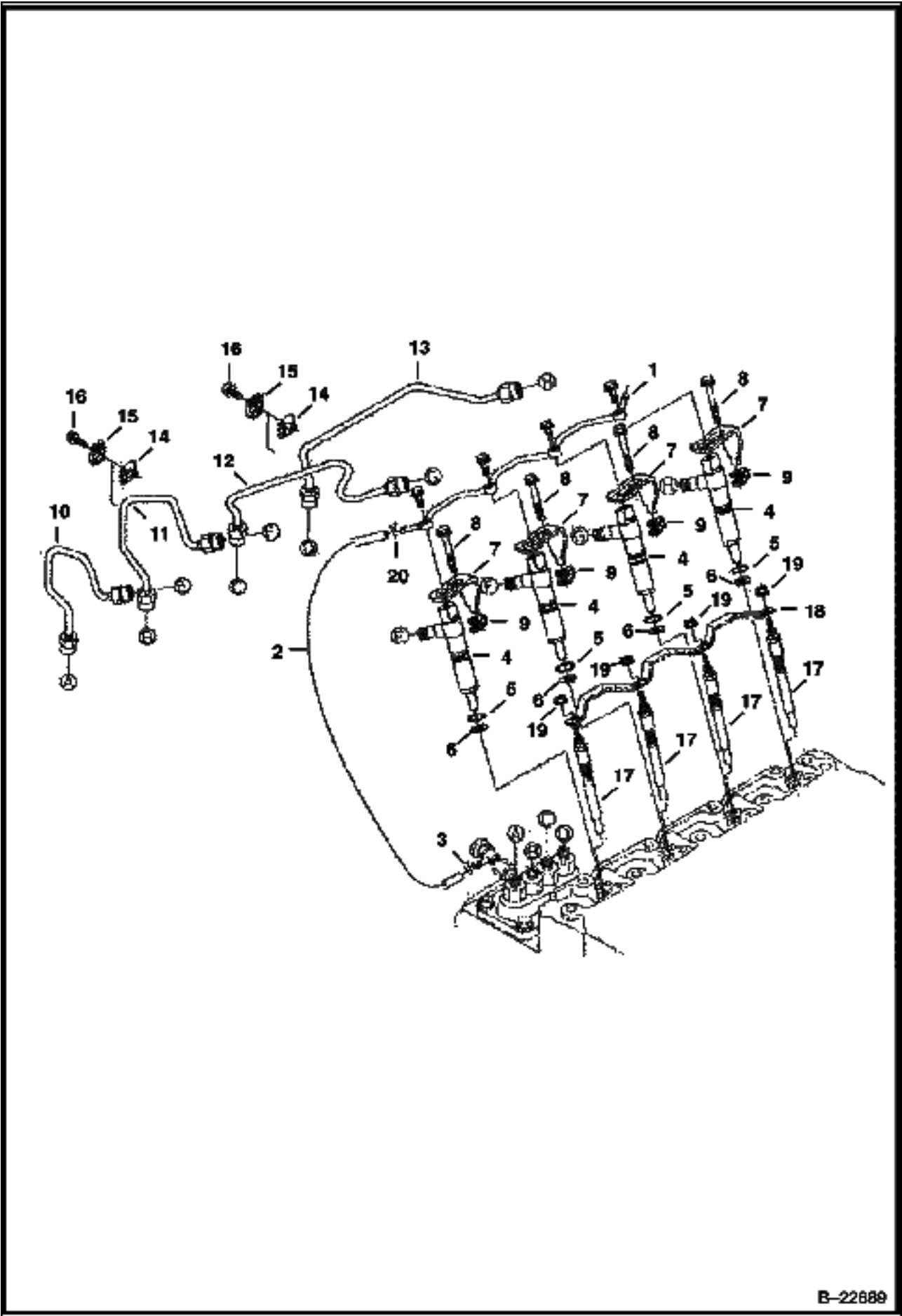


B-22686

FUEL & INJECTION PUMP (Cont'd)

Ref No	Part Number	Description	Remarks	Serial Number	Qty
1	6685511	PUMP			1
2	3974626B	SHIM	0.20 mm		2
2	6682515	SHIM	0.25 mm		1
2	6655210	SHIM	0.30 mm		1
2	6684829	SHIM	0.35 mm		1
3	6685473	BOLT			1
4	6680801	BOLT			4
5	6652670	STUD			2
6	6680663	NUT			2
7	6684830	BOLT			1
8	6598102	VALVE	jet start		1
9	6655216	FUEL PUMP			1
10	3974502B	GASKET	fuel pump		1
11	4CM00616B	BOLT			2
12	6513707	JOINT	eye		1
13	6599118	GASKET			2

INJECTOR NOZZLES

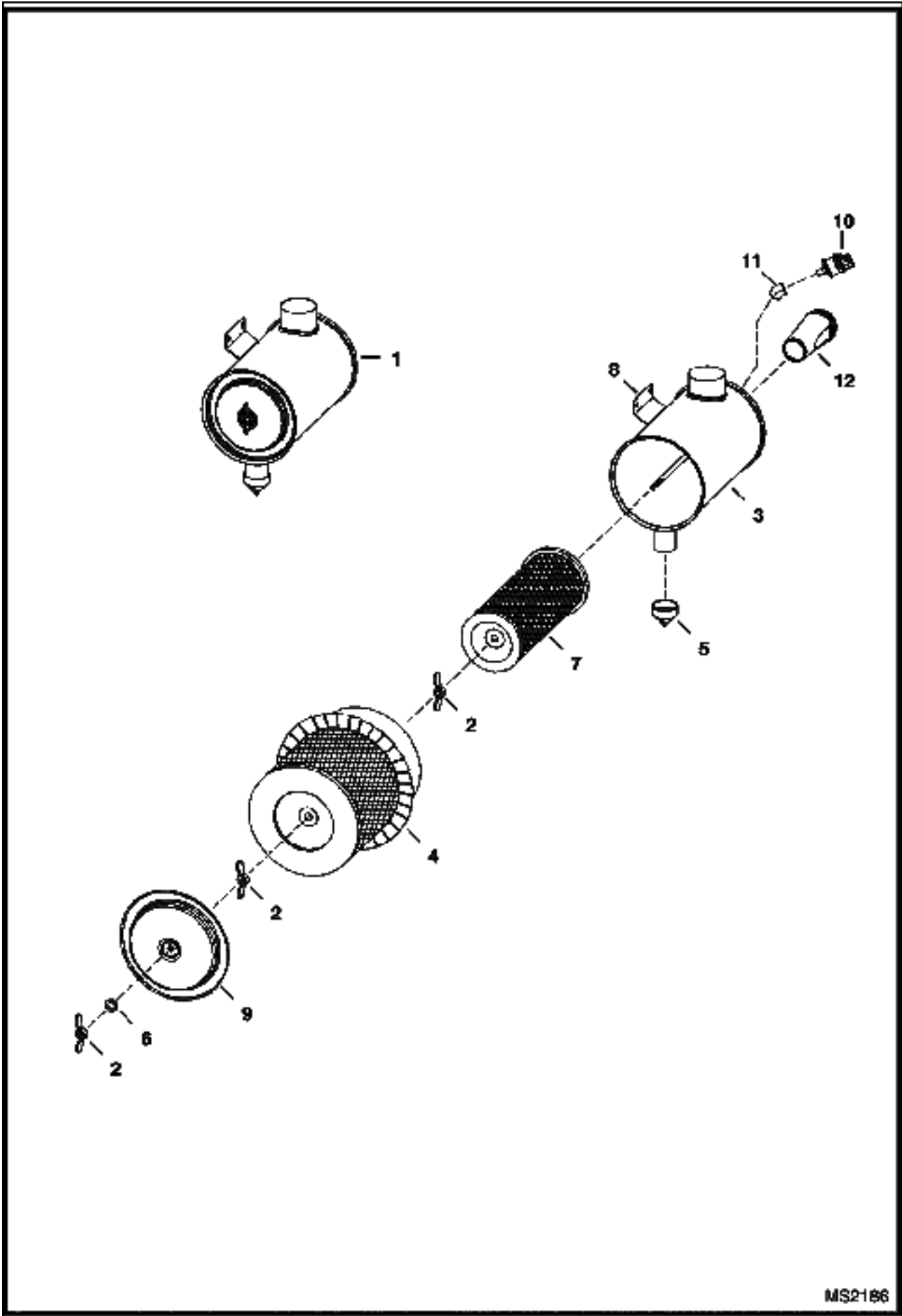


B-22889

INJECTOR NOZZLES (Cont'd)

Ref No	Part Number	Description	Remarks	Serial Number	Qty
1	6684842	PIPE	fuel over flow		1
2	6598146	PIPE	fuel over flow (2) - W/Ref. 3 & 20		1
3	6599136	CLIP	pipe		1
4	6685512	HOLDER KIT	NOZZLE-W/REF. 5		4
5	6670769	O-RING			4
6	6680779	GASKET			4
7	6684845	CLAMP			4
8	6684844	BOLT			4
9	6685498	GASKET			4
10	6685102	PIPE	injection (1)		1
11	6685103	PIPE	injection (2)		1
12	6684848	PIPE	injection (3)		1
13	6684849	PIPE	injection (4)		1
14	6652688	CLAMP	pipe (1)		3
15	6652689	CLAMP	pipe (2)		3
16	3974260B	BOLT	with washer		3
17	6684850	GLOW PLUG			4
18	6684851	CORD	glow plug		1
19	6670472	NUT			4
20	6654718	CLAMP	pipe		1

AIR CLEANER

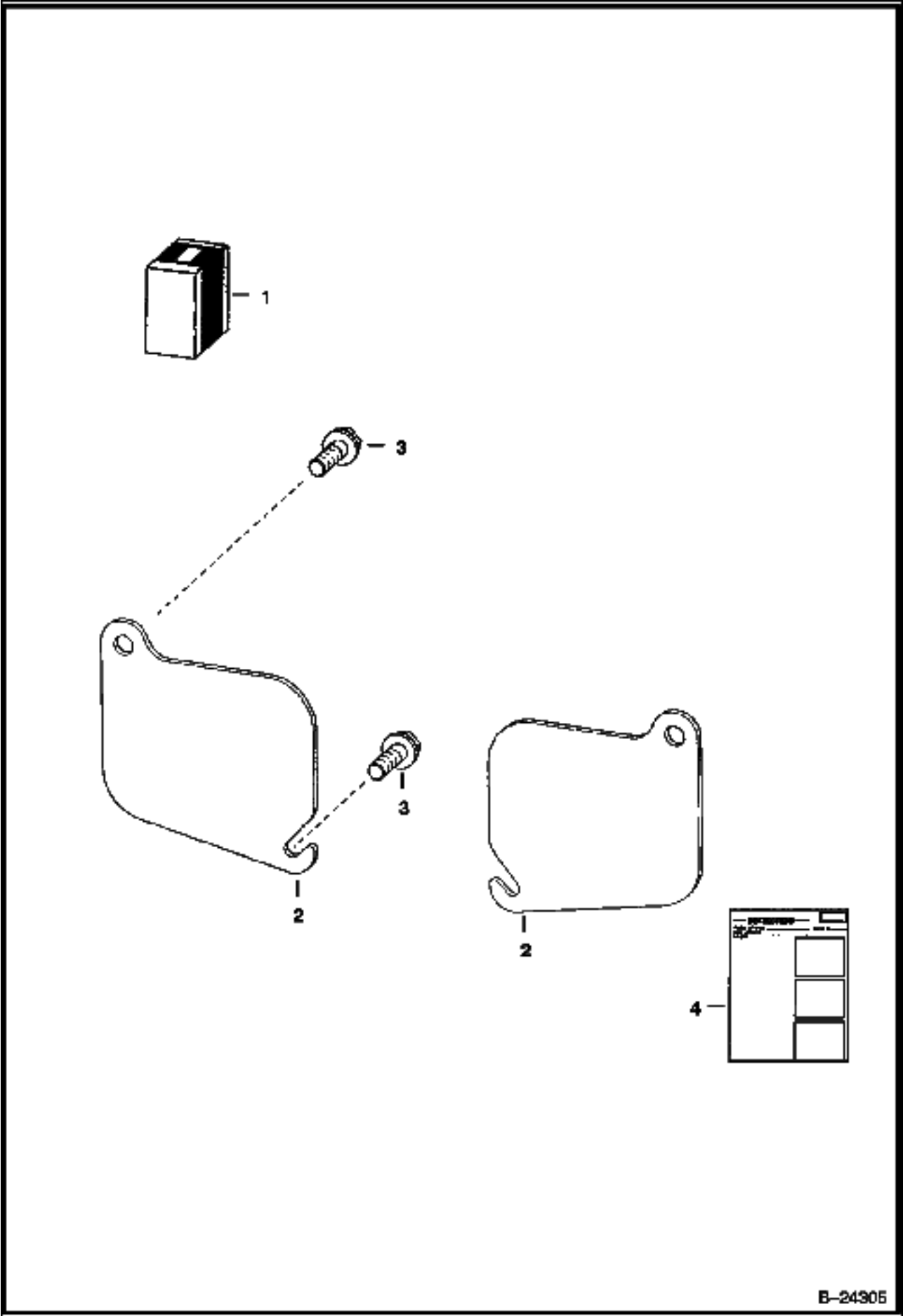


MS2186

AIR CLEANER (Cont'd)

Ref No	Part Number	Description	Remarks	Serial Number	Qty
1	6700711	AIR CLEANER			1
2	6661243	WING NUT			3
3		TANK	NAP		1
4	6598492	ELEMENT	outer		1
5	6655938	VALVE	evacuator - 1.5" (38,1 mm) I.D.		1
6	6661244	WASHER			1
7	6598362	ELEMENT	inner		1
8	866028B	CLAMP			1
9	6661242	COVER			1
10	6665371	SWITCH			1
11	6725502	ELBOW			1
12	7114604	CHOKE	intake - European		1

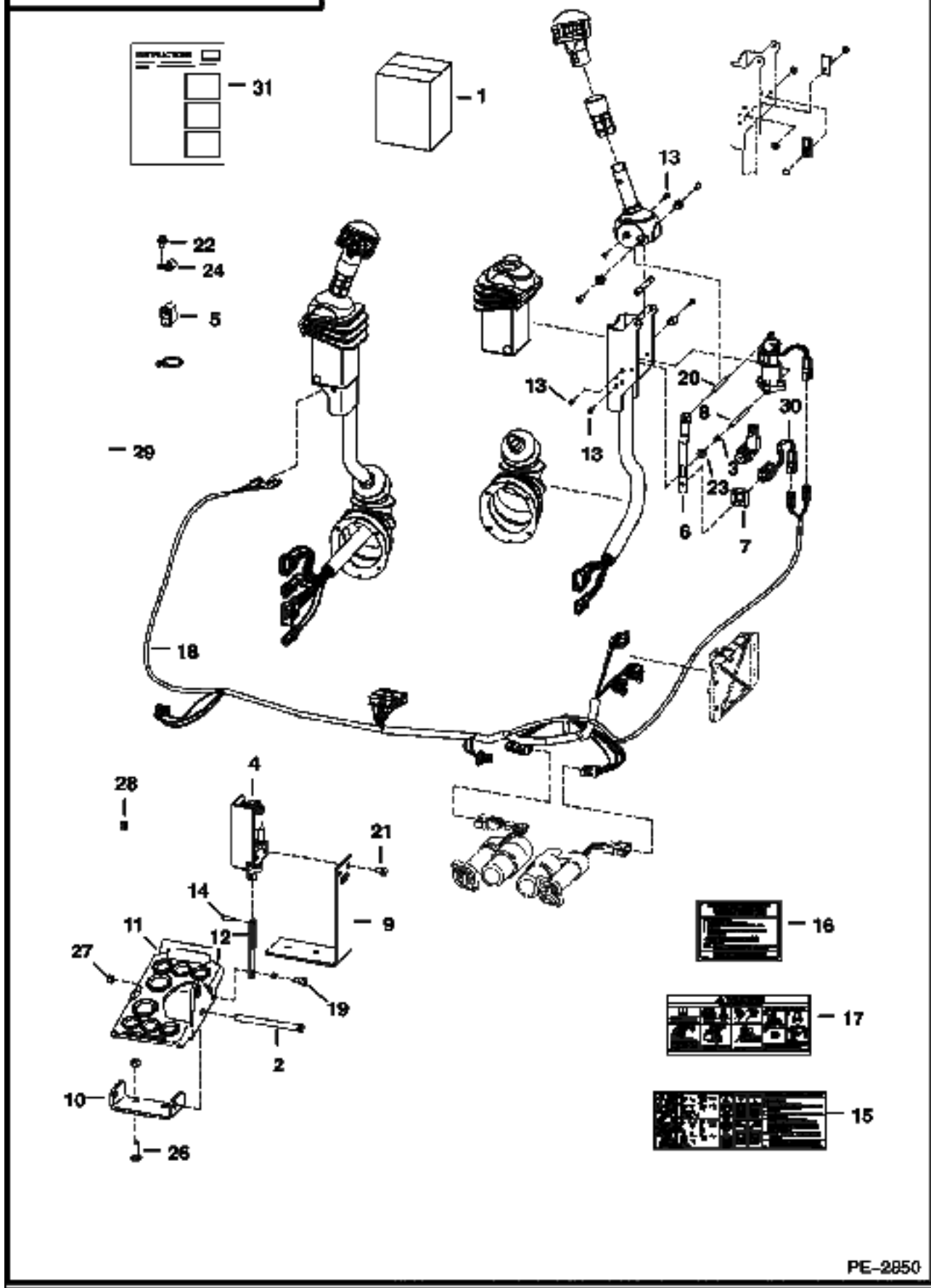
ACCESS COVER (Cleanout - Lower Front of Chaincase)



Ref No	Part Number	Description	Remarks	Serial Number	Qty
1	6577880	KIT	Ref. 2-5		1
2	6737088	COVER			2
3	84G003720B	BOLT			4
4	6570931	INSTRUCTIONS			1

ACS CONVERSION KIT

NOTE: Loader must be equipped W/Advanced Hand Control Option for this kit to function.

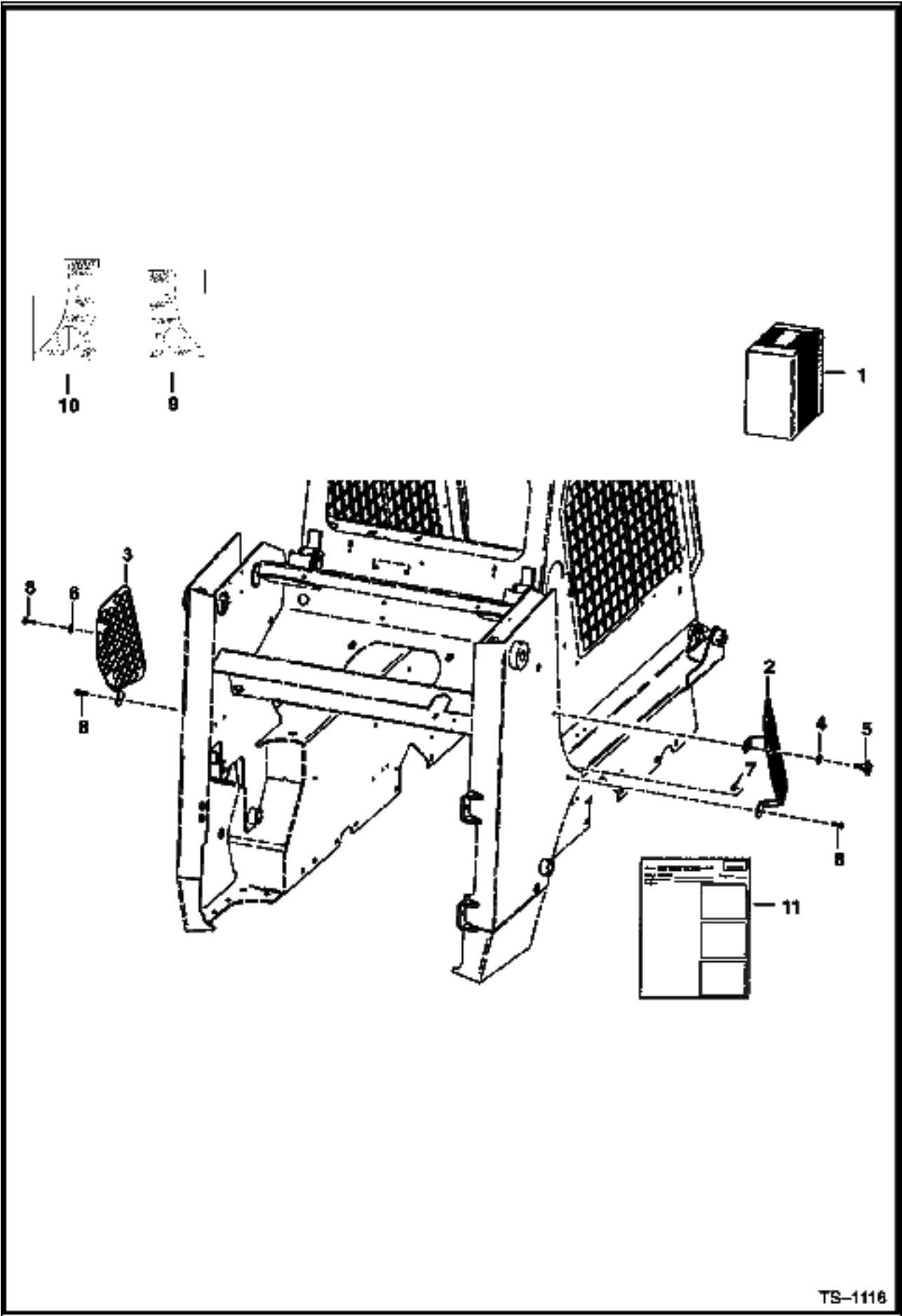


PE-2850

ACS CONVERSION KIT (Cont'd)

Ref No	Part Number	Description	Remarks	Serial Number	Qty
1	6731151	KIT	foot control - Ref. 2-14 & 17-30 SEE NOTE - If loader is not equipped W/ heater, air conditioning, selectable joystick controls, beacon, power bobtach, non-power port plug-in strobe lights and/or non-power port plug-in 4 way flashers, also order 7116260 deluxe harness		1
2	6564657	PIN			2
3	6680470	SPRING			2
4	6684912	SENSOR	foot pedal - R.H.		1
4	6676029	SOLENOID			1
4	6684911	SENSOR	foot pedal - L.H.		1
4	6676029	SOLENOID			1
5	6676537	SWITCH			2
6	6680477	STRAP			2
7	6680468	MOUNT	solenoid		2
8		SLEEVE	NAP		2
8	6719834	SPACER			2
9	6726573	BRACKET			2
10	7115220	MOUNT			2
11	7115219	PEDAL			2
12	6726681	LINK			2
13	6727065	BOLT			12
14	6727496	PIN			2
15	6727926	DECAL	operations - 773G, 863G, 873G, 883, 963G		1
15	6728045	DECAL	operations - T190, T200		1
16		DECAL	NAP - ACS operations - not in kit - Order 6727926 decal		1
17	6728539	DECAL	warning - 773G, 863G, 873G, 883, 963G		1
17	6728540	DECAL	warning - T190, T200		1
18	6624289	STA STRAP			2
19	6729467	SPACER			2
20	6680469	SPACER	threaded		2
21	17C000608B	BOLT			4
22	84G003710B	BOLT			2
23	25E000013B	WASHER			2
24	30H000062B	CLAMP			2
25	17C000514B	BOLT			2
26	37C000620B	BOLT			4
27	95D000005B	NUT			2
28	6676029	SOLENOID			2
29	57D000006B	NUT			4
30	6901492	INSTRUCTIONS			1

AIR DEFLECTOR KIT

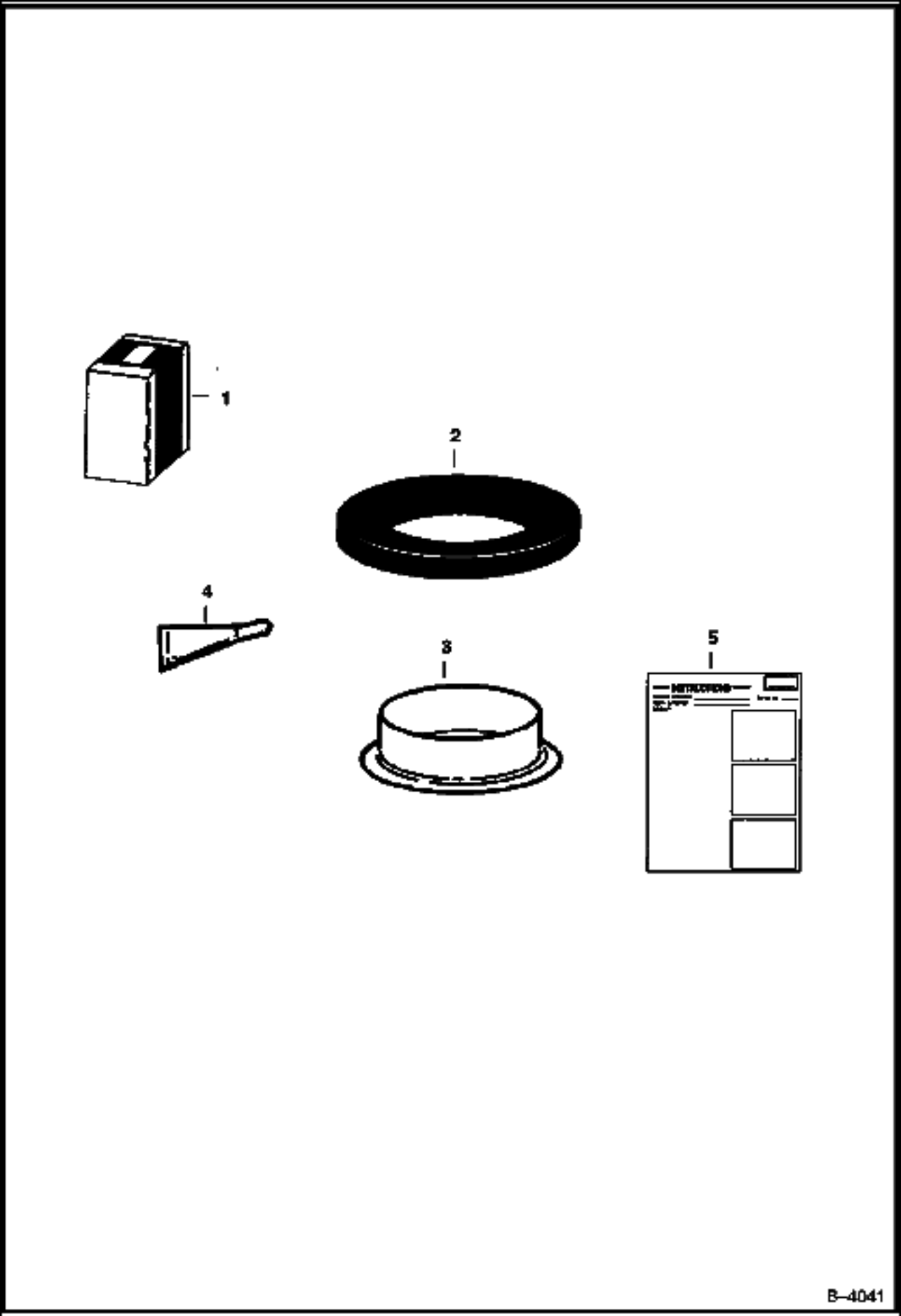


TS-1118

AIR DEFLECTOR KIT (Cont'd)

Ref No	Part Number	Description	Remarks	Serial Number	Qty
1	6702351	KIT	air deflector		1
2	6702346	SCREEN	R.H.		1
3	6702347	SCREEN	L.H.		1
4	6702986	NUT	spacer		1
5	6703090	HANDLE			1
6	27E000006B	WASHER			1
7	61D000006B	NUT			1
8	84G003716B	BOLT			3
9		TEMPLATE	NAP - R.H.-Order Ref. 11		1
10		TEMPLATE	NAP - L.H.-Order Ref. 11		1
11	6720621	INSTRUCTIONS			1

AXLE SEAL KIT

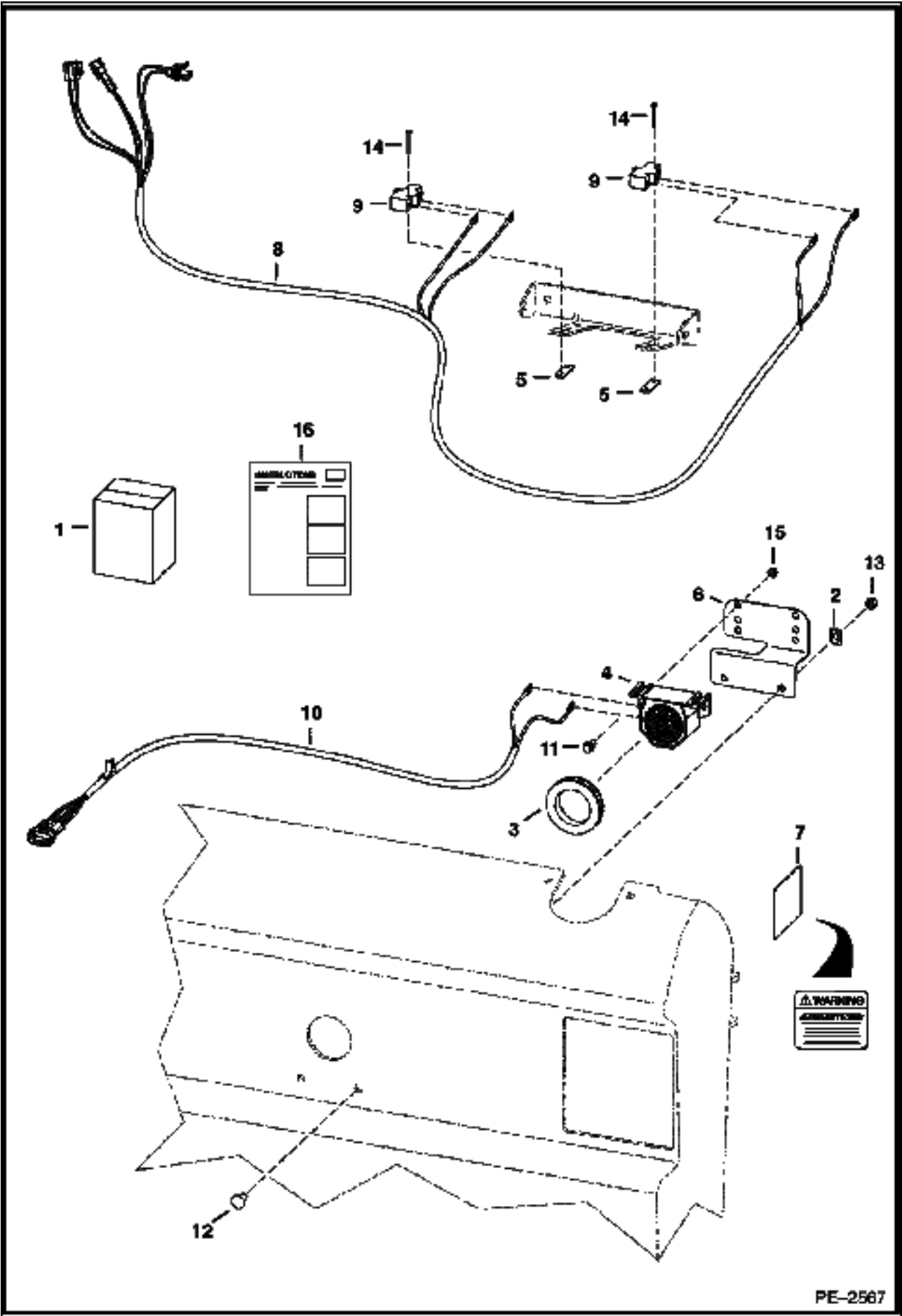


B-4041

AXLE SEAL KIT (Cont'd)

Ref No	Part Number	Description	Remarks	Serial Number	Qty
1	6722907	KIT	Ref. 2 - 5		1
2	6658228	SEAL			1
3	6662306	RING			1
4	6598485	SEALANT			1
5	6722908	INSTRUCTIONS			1

BACK-UP ALARM KIT Manual Hand Controls

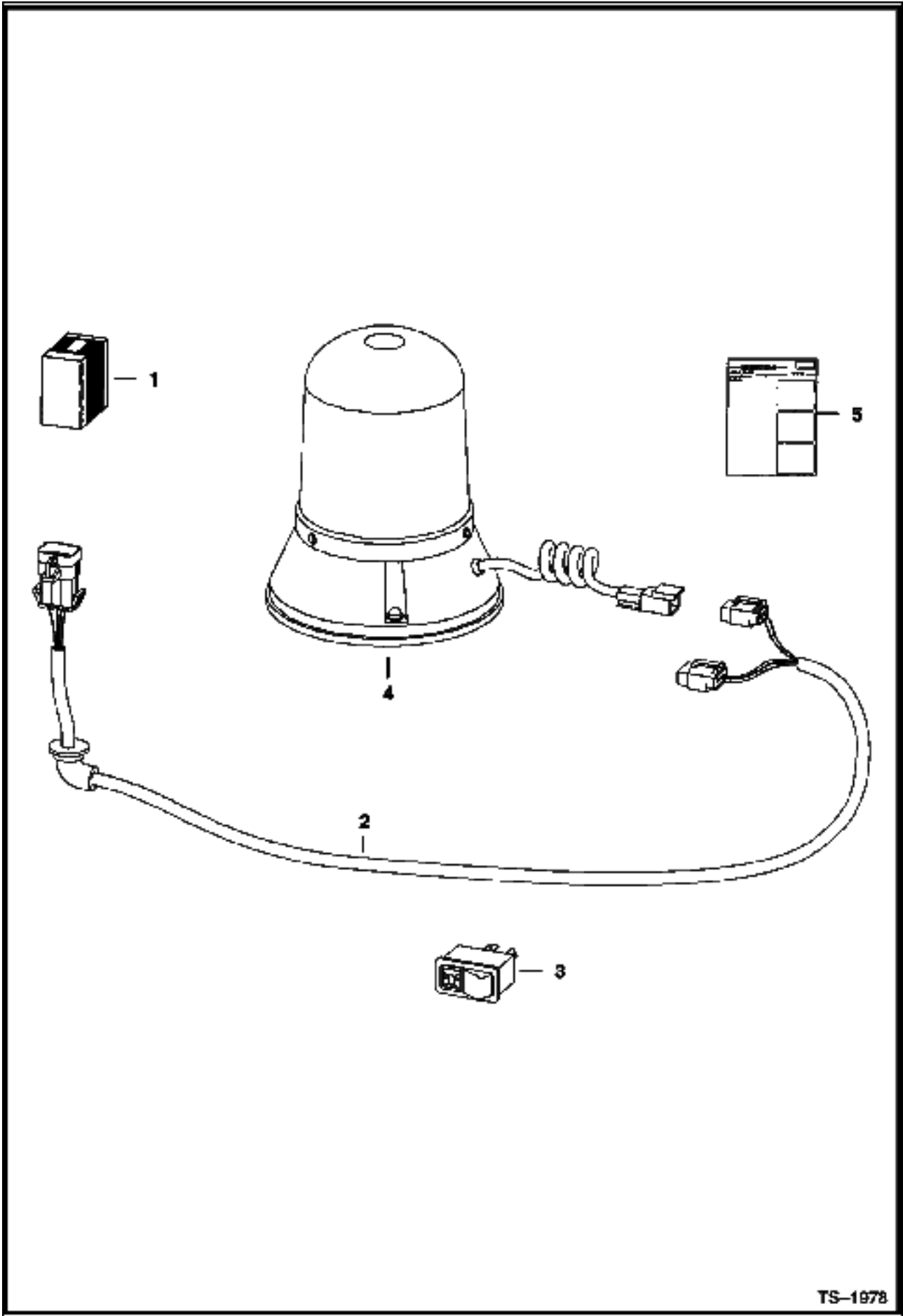


PE-2567

BACK-UP ALARM KIT (Cont'd)
Manual Hand Controls

Ref No	Part Number	Description	Remarks	Serial Number	Qty
1	7107829	BACK UP ALARM KIT			1
2	774220	NUT			2
3	6577545	GROMMET			1
4	6599931	ALARM			1
5	6702593	SPACER			2
6	6733970	MOUNT			1
7	6737189	DECAL			1
8	7107544	HARNESS			1
9	6646781	SWITCH			2
10	6715659	HARNESS			1
11	35C000410B	BOLT			2
12	37C000512B	BOLT			2
13	61D000005B	NUT			2
14	84G001320B	BOLT			4
15	97D000004B	NUT			2
16	6903293	INSTRUCTIONS			1

BEACON

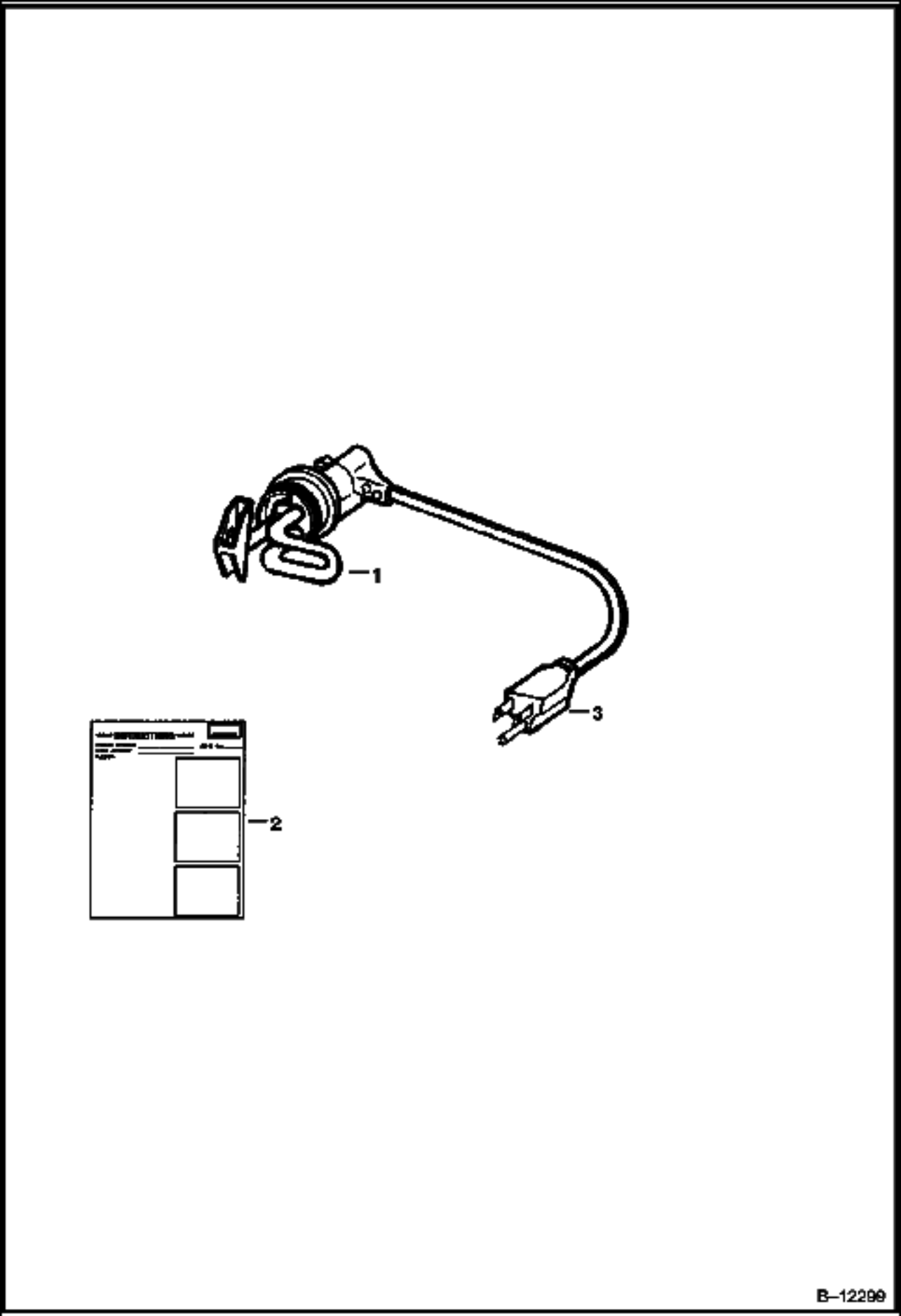


TS-1978

BEACON (Cont'd)

Ref No	Part Number	Description	Remarks	Serial Number	Qty
1	6719854	KIT	rotating beacon - If loader is not equipped W/heater, air conditioning, selectable joystick controls, advanced control system, power bob-tach, non-power port plug-in strobe lights and/or non-power port plug-in 4-way flashers, also order 7116260 deluxe harness		1
2	6718872	HARNESS			1
3	6665317	SWITCH	horizontal		1
3	6668816	SWITCH	vertical		1
4	6675523	BEACON			1
4	6666571	BULB			1
5	6900991	INSTRUCTIONS			1

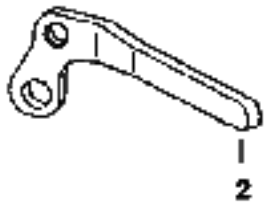
BLOCK HEATER (Engine)



B-12299

**BLOCK HEATER (Cont'd)
(Engine)**

Ref No	Part Number	Description	Remarks	Serial Number	Qty
1	6720736	PLUG	W/Ref. 2 & 3		1
2	6720038	INSTRUCTIONS			1
3	6668881	CORD			1

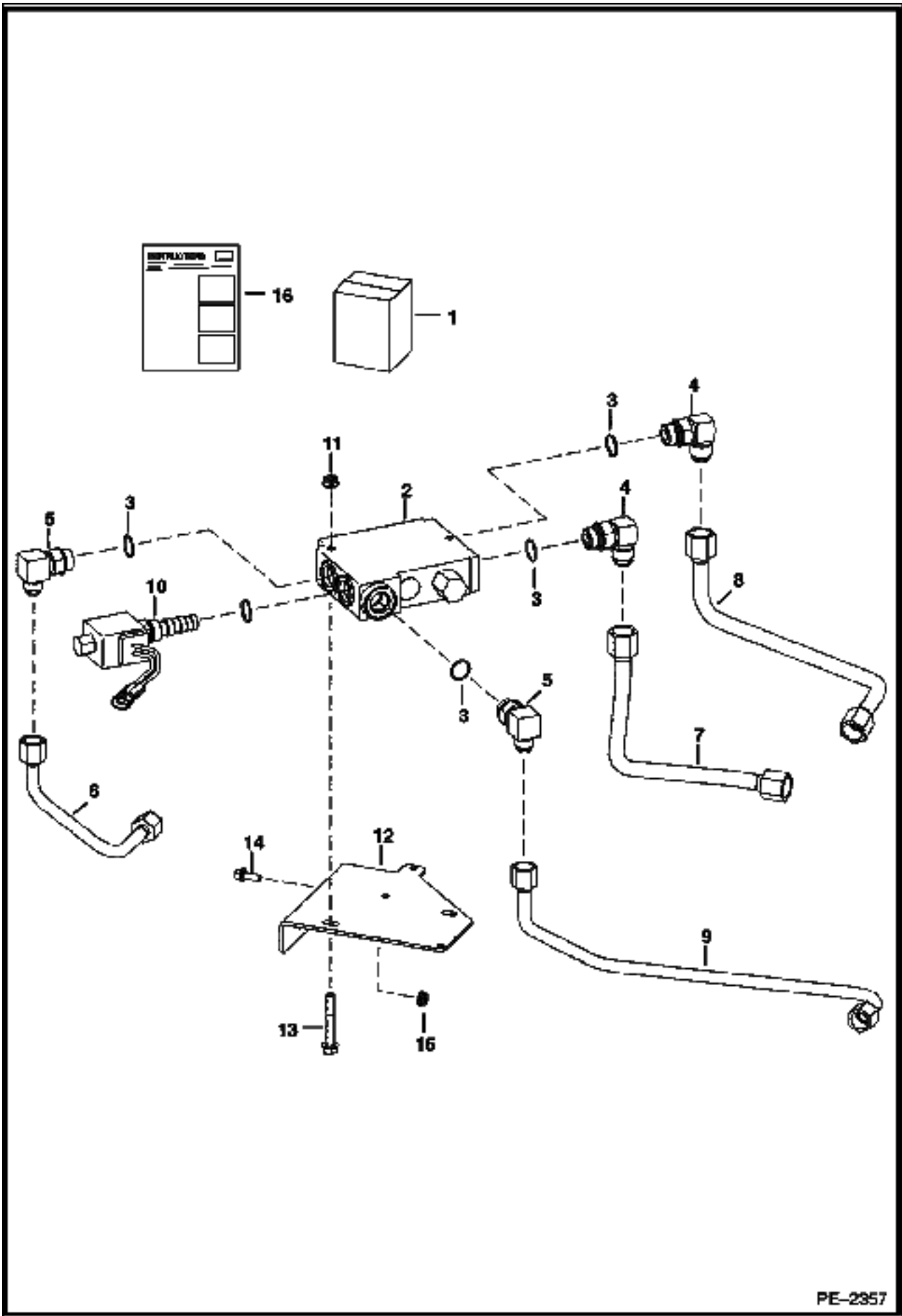


TS-1019

BOB-TACH LEVERS (Cont'd)
(For Use W/Industrial Grapple Fork)

Ref No	Part Number	Description	Remarks	Serial Number	Qty
1	6578139	LEVER	R.H.		1
2	6578140	LEVER	L.H.		1

BUCKET POSITIONING VALVE KIT

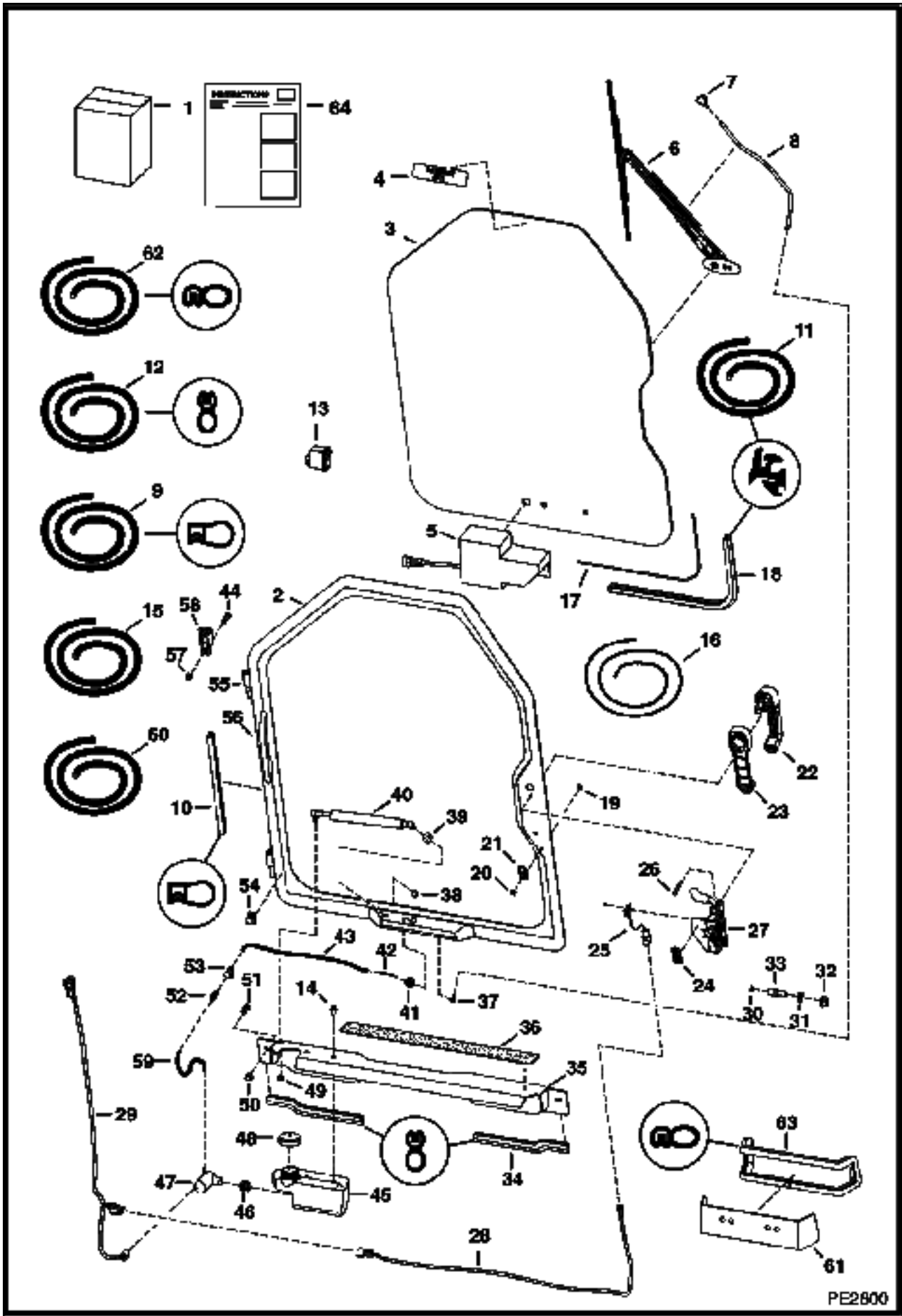


PE-2357

BUCKET POSITIONING VALVE KIT (Cont'd)

Ref No	Part Number	Description	Remarks	Serial Number	Qty
1	7102809	KIT, BPV	Ref. 2 - 16		1
2	6673959	VALVE	See Illustration BUCKET POSITIONING VALVE/ MS1943 BUCKET POS. - W/Ref. 10		1
3	79K000010B	O-RING			x
4	17KB01010B	ELBOW	W/Ref. 3		2
5	17KB00810B	ELBOW	W/Ref. 3		2
6	6727627	TUBE			1
7	7100783	TUBE			1
8	6736348	TUBE			1
9	7104242	TUBE			1
10	6672863	SOLENOID			1
10	6670634	SEAL KIT			1
10	6671527	NUT			1
11	57D000005B	NUT			2
12	6704833	BRACKET			1
13	35C000536B	BOLT			2
14	35C000412B	BOLT			2
15	55D000004B	NUT			2
16	6902830	INSTRUCTIONS			1

CAB DOOR

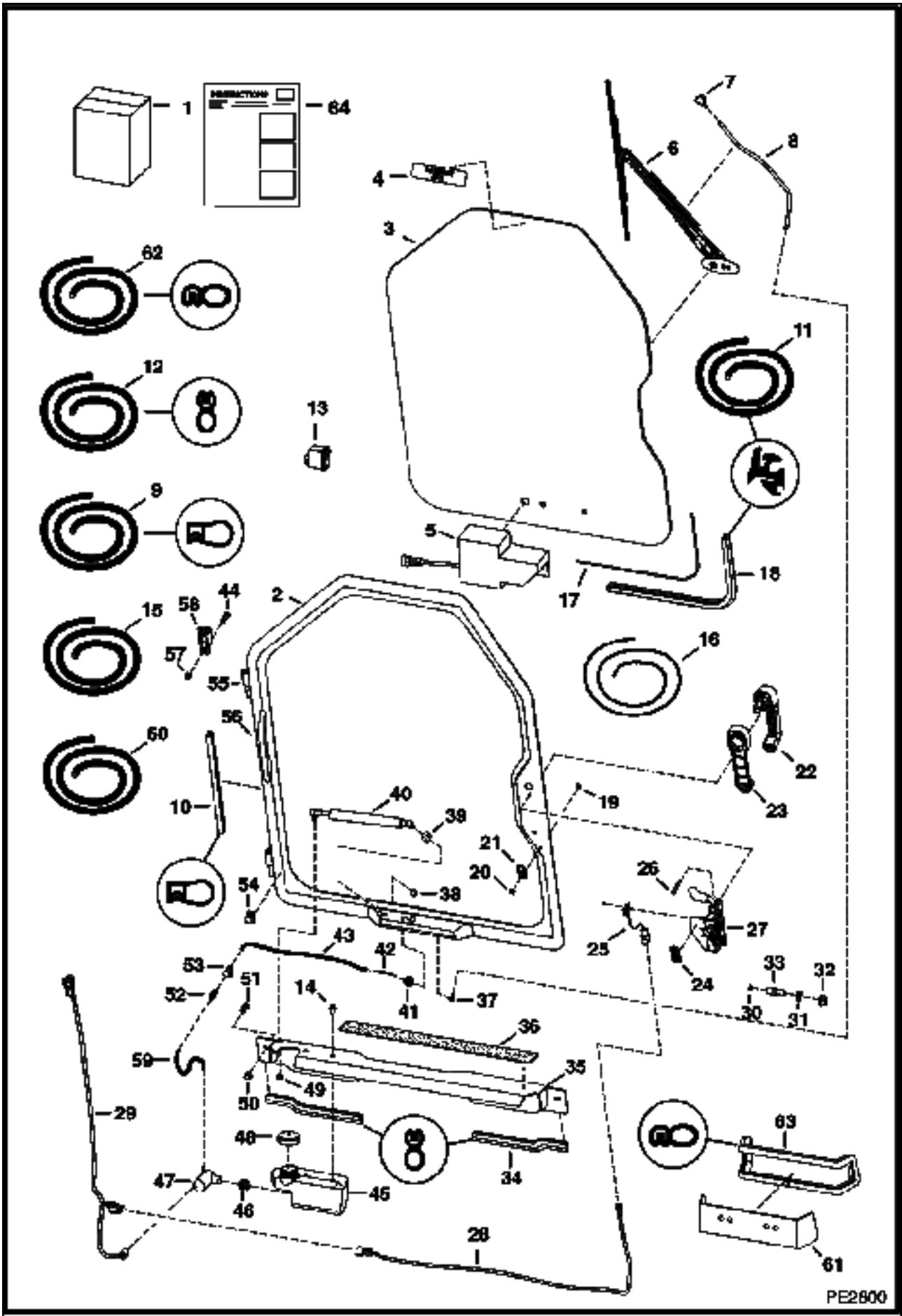


PE2800

CAB DOOR (Cont'd)

Ref No	Part Number	Description	Remarks	Serial Number	Qty
1	6718808	KIT	door - Ref. 2-64 & Ref. 1-21 on ILL. MS1355		1
2	7109665	DOOR	W/Ref. 55 & 56		1
3		WINDOW	See Illustration CAB DOOR/ MS1355 - .25" thick glass		1
4	6707852	DECAL	exit		1
5		MOTOR	See Illustration CAB DOOR/ MS1355 - wiper		1
6		ARM	See Illustration CAB DOOR/ MS1355 - wiper		1
7		NOZZLE	See Illustration CAB DOOR/ MS1355 - wiper arm mounted		1
8		HOSE	See Illustration CAB DOOR/ MS1355		1
9	6675558	SEAL	bulk - sold per foot		x
10		SEAL	NAP - 127.3" (3233mm) - Order Ref. 9		1
11	6665568	EXTRUSION	bulk - sold per foot		x
12	6513152	SEAL	bulk - sold per foot		x
13	6665707	SWITCH	front wiper		1
14	35C000408B	BOLT			2
15	6676003	HOSE	bulk - sold per foot - .109" I.D. - black		x
16	6554149	CORD	bulk - sold per foot		x
17		CORD	NAP - window - 113.3" (2878mm) - Order Ref. 16		1
18		SEAL	NAP - window - 113.3" (2878mm) - Order Ref. 11		1
19	6665321	RIVET	male plastic		1
20	6665322	RIVET	female plastic		1
21	6665000	CLIP			1
22	7109662	HANDLE			1
22	6709527	KEY	ignition & rear door		1
23	7109663	SPACER			1
24	7110316	DECAL	door switch		1
25	6728459	DOOR SENSOR			1
25	6677193	RIVET	plastic		2
26	1CM00640B	BOLT			2
27	7109661	DOOR LATCH			1
28	7104465	DOOR SWITCH HARNESS	door sensor		1
29	7117322	HARNESS	wiper		1
30	6677192	MAGNET			1
31	18EM01224B	WASHER			1
32	51DM00012B	NUT	12 mm thread		1
33	7109664	BOLT	striker - 12 mm thread		1
34		SEAL	NAP - threshold - 11" (279mm) - Order Ref. 12		2
35	6725042	SHIELD			1
36	6542731	SAFETY TREAD			1
37	6676500	ELBOW			1
38	46D000005B	NUT	acorn		1
39	25E000016B	WASHER			1
40	6682586	GAS SPRING			1
40	6678548	SOCKET	ball		2
40	6649244	STUD			2
40	6649245	RETAINER	spring		2
41	6676499	GROMMET	wiper		1
42	6676917	ELBOW			1
43		HOSE	NAP - 18.25" (464 mm) long - Order Ref. 15		1
44	17C000512B	BOLT			4
45	6736875	TANK	washer		1
46	6666766	GROMMET			1
47	6664554	PUMP	washer bottle		1
48	6674993	CAP	vented		1
49	61D000005B	NUT			5

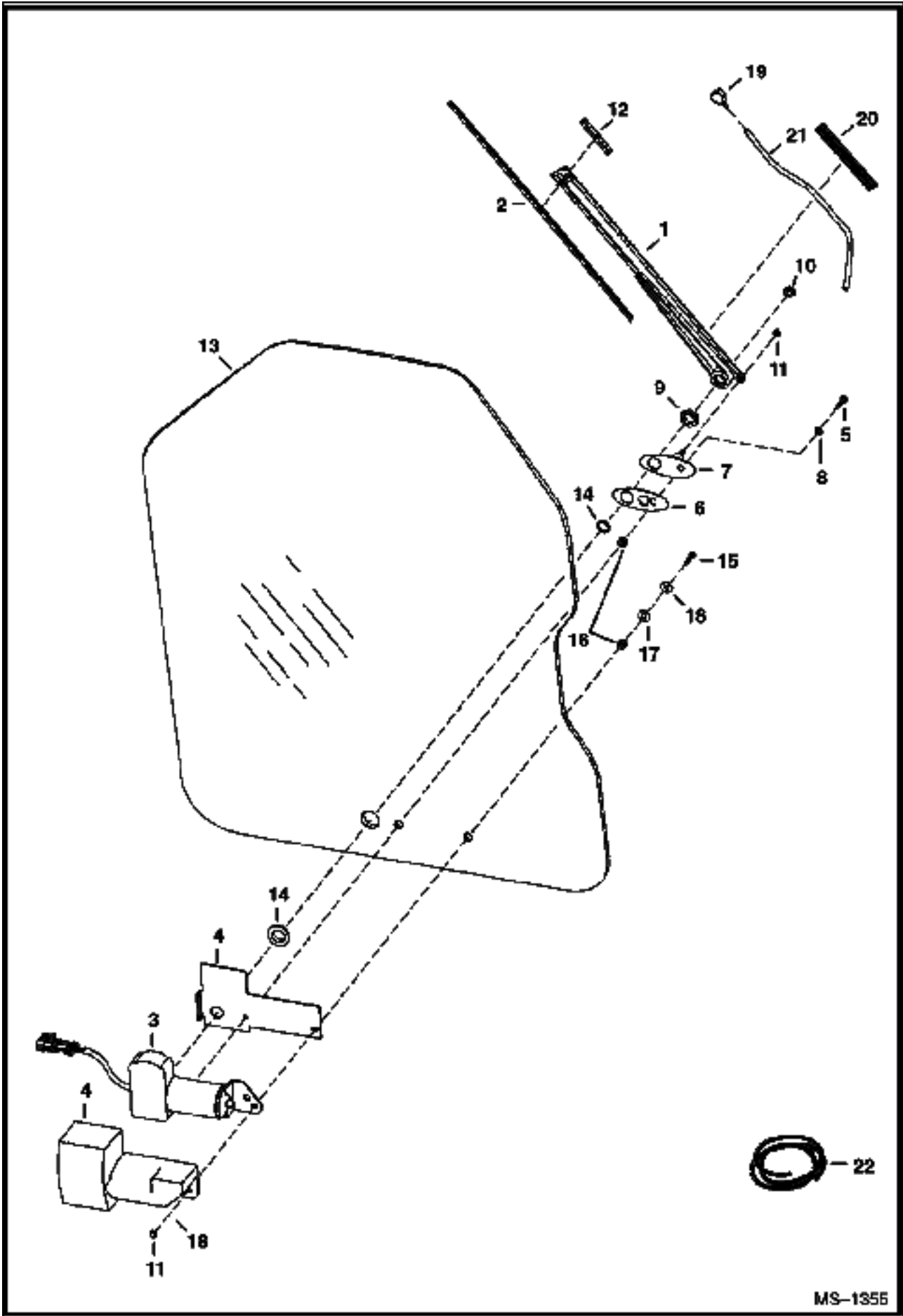
CAB DOOR (Cont'd)



CAB DOOR (Cont'd)

Ref No	Part Number	Description	Remarks	Serial Number	Qty
50	61D000006B	NUT			2
51	17C000612B	BOLT			2
52	6675299	COUPLER	insert		1
53	6675298	COUPLER	body		1
54	6675378	CLIP			3
55	6718376	HINGE	door		2
56	6718521	HANDLE	grab		1
57	59D000005B	NUT			4
58	6717593	HINGE	base		2
59		HOSE	NAP - washer - 4.25" (108mm) long - Order Ref. 60		1
60	6708310	HOSE	bulk - sold per foot - .149" I.D. - clear		x
61	6725200	PLATE			1
62	6555351	SEAL	bulk - sold per foot		x
63		SEAL	NAP - 40" (1016mm) long - Order Ref. 62		1
64	6900854	INSTRUCTIONS INSTL	INSTRUCTIONS INSTL		1

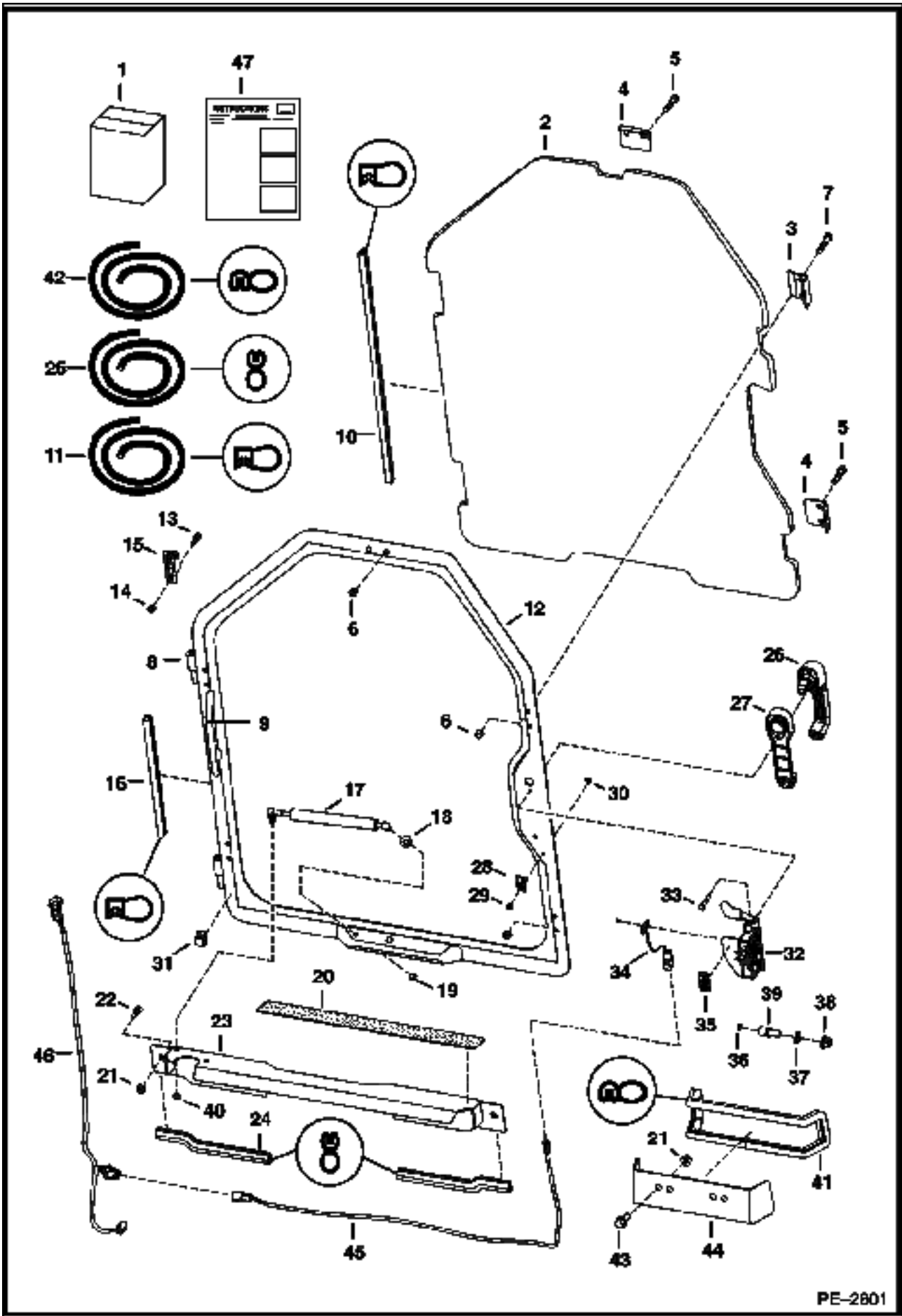
CAB DOOR (Window & Wiper)



MS-1355

CAB DOOR (Cont'd) (Window & Wiper)

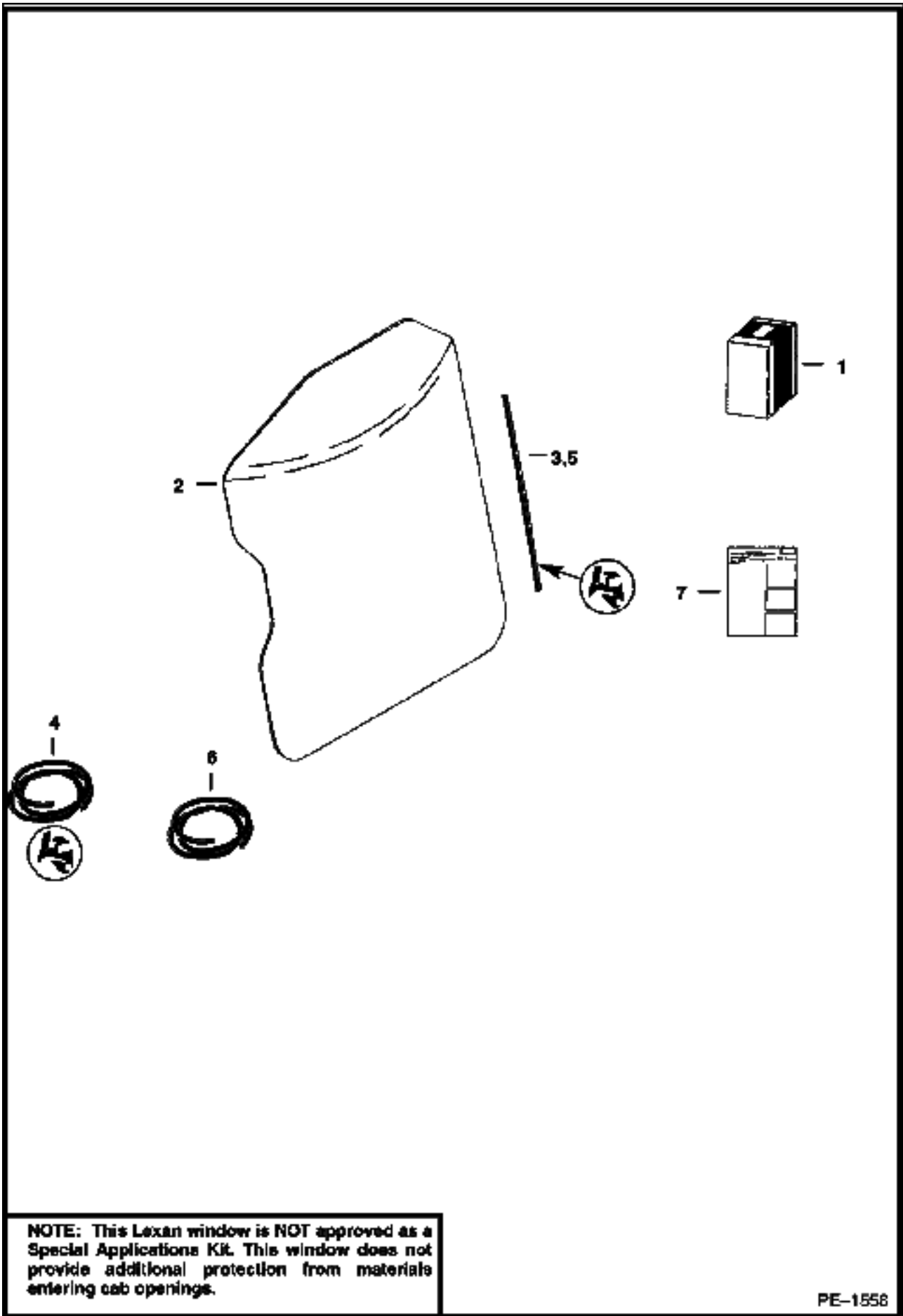
Ref No	Part Number	Description	Remarks	Serial Number	Qty
1	6677833	ARM ASSY	W/Ref. 19 - 21		1
2	6677834	BLADE			1
3	6679476	MOTOR	W/threaded shaft end & built in fuse		1
4	6677836	COVER			1
5	6677837	BOLT			1
6	6677839	GASKET			1
7	6677840	SWIVEL			1
8	6677841	WASHER	tooth lock		1
9	6677842	NUT			1
10	6677843	NUT			1
11	6677844	NUT			2
12	6677845	ADAPTER	arm		1
13	6729776	WINDOW	.25" thick glass		1
14	6677847	GROMMET	rubber		1
15	6678198	BOLT			1
16	6664085	BUSHING	nylon		2
17	6801059	WASHER	neoprene		1
18	6678739	WASHER	steel		2
19	6678920	NOZZLE			1
20	6678921	GUIDE	hose		1
21		HOSE	NAP - 18" (457,2 mm) long - Order Ref. 22		x
22	6676003	HOSE	bulk - Sold Per Foot - .109" I.D. - black		x



PE-2801

CAB DOOR (Cont'd) (Special Applications)

Ref No	Part Number	Description	Remarks	Serial Number	Qty
1	6725941	KIT	door - Ref. 2-47		1
2	6732351	WINDOW	.5" thick polycarbonate		1
3	6725938	CLAMP			2
4	6725937	CLAMP			3
5	17C000628B	BOLT			6
6	95D000006B	NUT			10
7	17C000624B	BOLT			4
8	6718376	HINGE	door		2
9	6718521	HANDLE	grab		1
10		SEAL	NAP - Order Ref. 11 - 115" (2921mm) long		1
11	6675558	SEAL	bulk - sold per foot		x
12	7110430	SPECIAL APPS DOOR	W/Ref. 41 & 42		1
13	59D000005B	NUT			4
14	17C000512B	BOLT			4
15	6717593	HINGE	base		2
16		SEAL	NAP - Order Ref. 11 - 127" (3233mm) long		1
17	6682586	GAS SPRING			1
17	6678548	SOCKET	ball		2
17	6649244	STUD			2
17	6649245	RETAINER	spring		2
18	25E000016B	WASHER			1
19	46D000005B	NUT	acorn		1
20	6542731	SAFETY TREAD			1
21	17C000612B	BOLT			2
22	55D000006B	NUT			4
23	6725042	SHIELD			1
24		SEAL	NAP - Order Ref. 25 - 11" (279mm) long		2
25	6513152	SEAL	bulk - sold per foot		x
26	7109662	HANDLE			1
26	6709527	KEY	ignition & rear door		1
27	7109663	SPACER			1
28	6665000	CLIP			1
29	6665321	RIVET	male - plastic		1
30	6665322	RIVET	female - plastic		1
31	6675378	CLIP			3
32	7109661	DOOR LATCH			1
33	1CM00640B	BOLT			2
34	6728459	DOOR SENSOR			1
34	6677193	RIVET			2
35	7110316	DECAL			1
36	6677192	MAGNET			1
37	18EM01224B	WASHER			1
38	51DM00012B	NUT	12 mm thread		1
39	7109664	BOLT	striker - 12 mm thread		1
40	61D000005B	NUT			1
41		SEAL	NAP - Order Ref. 9 - 40" (1016mm) long		1
42	6555351	SEAL	bulk - sold per foot		x
43	35C000620B	BOLT			2
44	6725200	PLATE			1
45	7104465	DOOR SWITCH HARNESS	door sensor		1
46	7117322	HARNESS	wiper		1
47	6901013	INSTRUCTIONS			1

**CAB DOOR
(Lexan Window)**

NOTE: This Lexan window is NOT approved as a Special Applications Kit. This window does not provide additional protection from materials entering cab openings.

PE-1558

**CAB DOOR (Cont'd)
(Lexan Window)**

Ref No	Part Number	Description	Remarks	Serial Number	Qty
1	6726427	KIT	Ref. 2 - 7 - SEE NOTE		1
2	6732350	WINDOW	lexan		1
3		SEAL	NAP - 113.3"(2877,8 mm) long - Order Ref. 4		1
4	6665568	EXTRUSION	bulk - Sold Per Foot		x
5		CORD	NAP - 113.3"(2877,8 mm) long - Order Ref. 6		1
6	6554149	CORD	bulk - Sold Per Foot		x
7	6901036	INSTRUCTIONS			1

CAB ENCLOSURE

NOTE: Order Cab Enclosure Kit from Gwinner SALES #6719667.
Order Special Applications Kit from Gwinner SALES # 6719390.

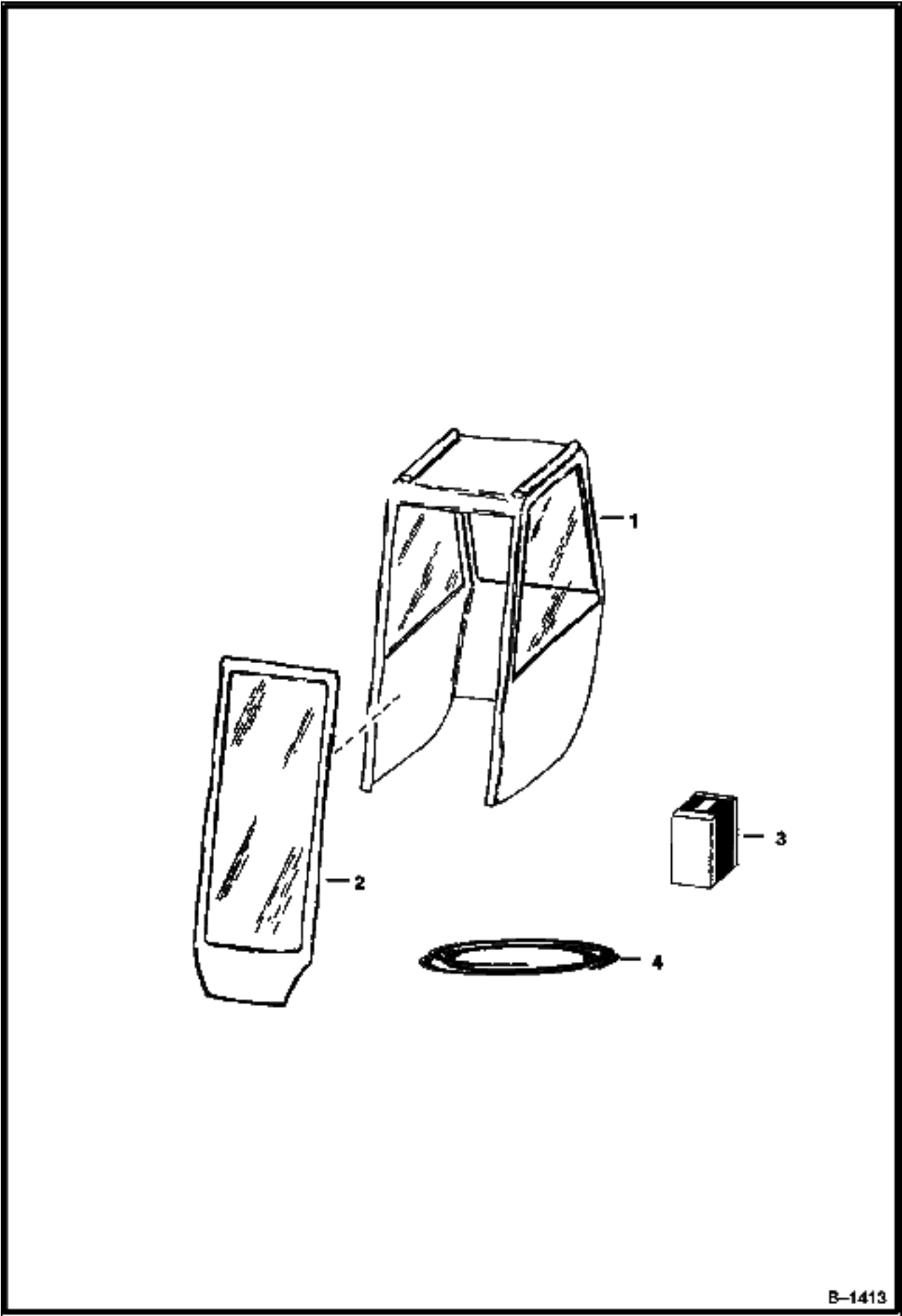


B-16410

CAB ENCLOSURE (Cont'd)

Ref No	Part Number	Description	Remarks	Serial Number	Qty
1		KIT	See Illustration CAB DOOR/ PE2078 See Illustration CAB WINDOWS/ MS1340 SALES - CAB ENCLOSURE - SEE NOTE - INCLUDES ITEMS		1
1		KIT	See Illustration CAB DOOR/ PE2666 See Illustration CAB WINDOWS/ MS1340 SALES - SPECIAL CAB ENCLOSURE - SEE NOTE - INCLUDES ITEMS		1

CAB ENCLOSURE (Envelope)



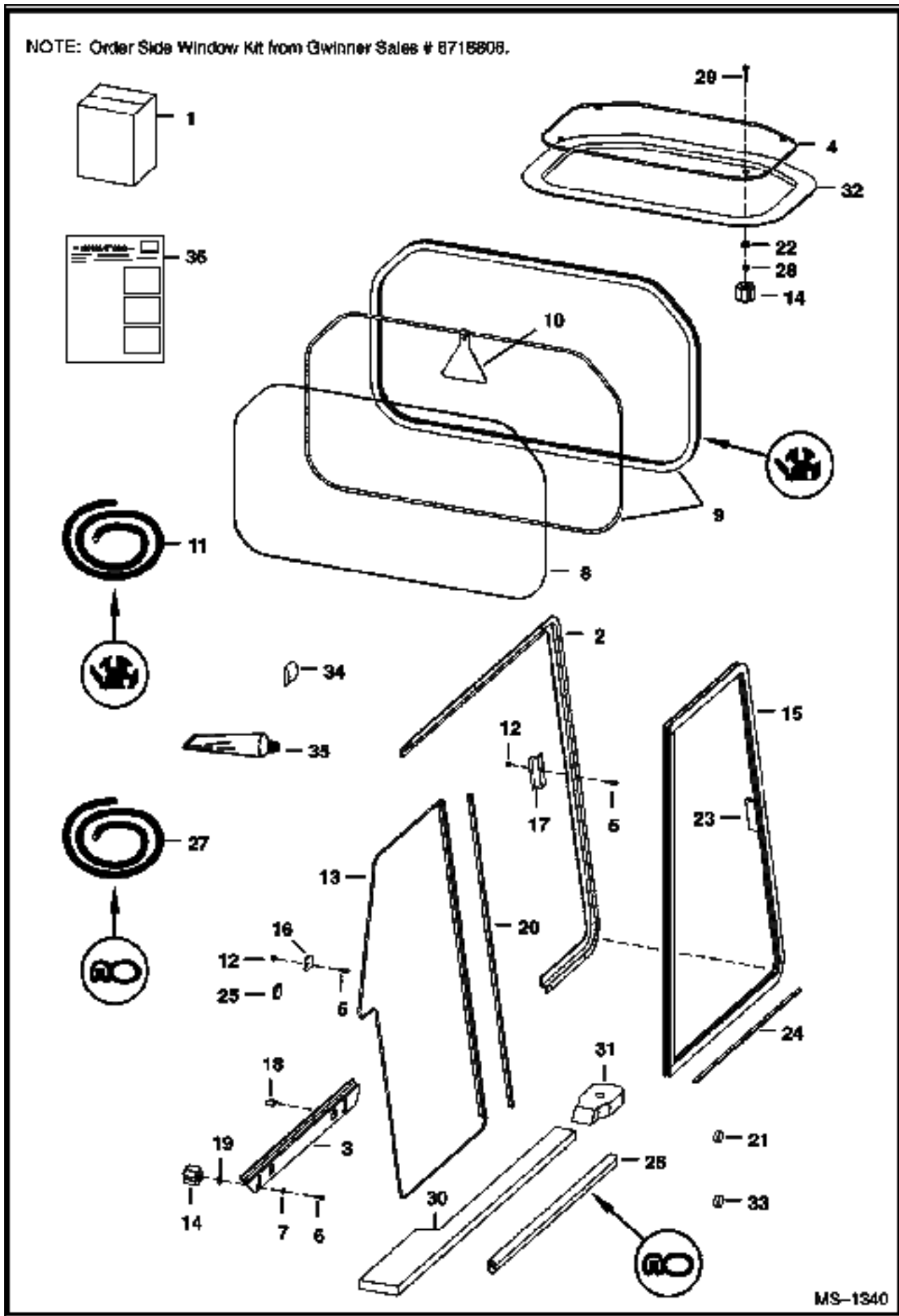
B-1413

**CAB ENCLOSURE (Cont'd)
(Envelope)**

Ref No	Part Number	Description	Remarks	Serial Number	Qty
1	6675544	CANVAS CAB	fastens inside of cab W/velcro - W/Ref. 2		1
2	6675590	DOOR	vinyl		1
3	6675591	HINGE KIT			1
4	6722597	VELCRO	27' (8229,6 mm) roll		1

CAB WINDOWS (Top, Rear & Side)

NOTE: Order Side Window Kit from Gwinner Sales # 8718808.

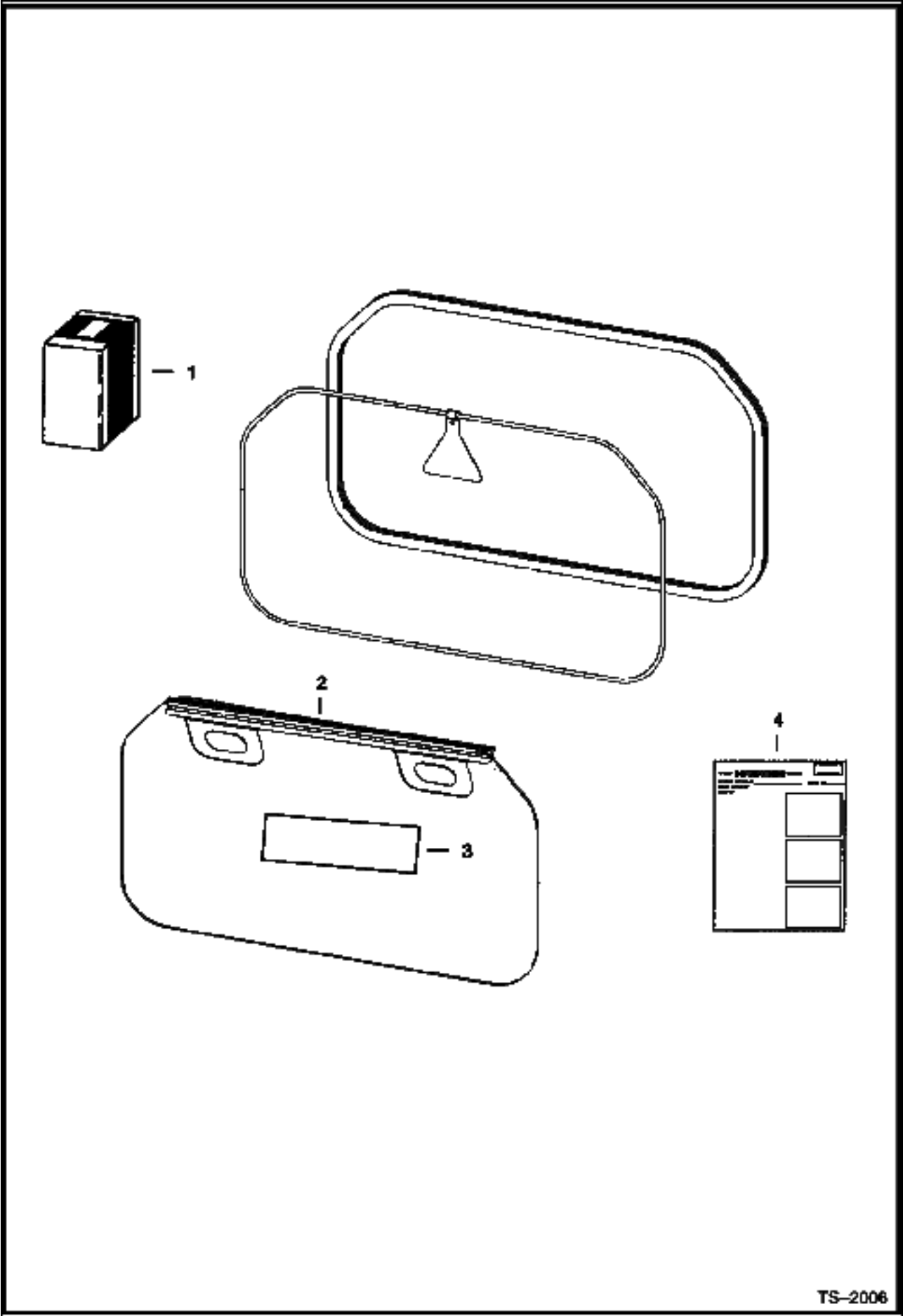


MS-1340

CAB WINDOWS (Cont'd) (Top, Rear & Side)

Ref No	Part Number	Description	Remarks	Serial Number	Qty
1	6718805	KIT	Top & Rear Window - Ref. 4, 8-10, 14 & 36		1
1		KIT	SALES - Side Window - SEE NOTE		1
2	6717870	FRAME	L.H. side		1
2	6717872	FRAME	R.H. side		1
3	6717871	FRAME	L.H. bottom		1
3	6717873	FRAME	R.H. bottom		1
4	7105035	WINDOW	assy. - top - lexan - W/Ref. 22, 28, 29 & 32		1
5	10C000410B	BOLT	carriage		18
6	10C000416B	BOLT	carriage		4
7	25E000014B	WASHER			4
8	6717874	WINDOW	rear		1
8	6719413	WINDOW	rear - lexan		1
9		EXTRUSION	NAP - 75.75"(1924 mm) long - Order Ref. 11		x
9		CORD	NAP - 75.75"(1924 mm) long - Order Ref. 11		x
10	6731478	EXIT TAG			1
11	6675387	EXTRUSION	bulk - Sold Per Foot		x
11	6554149	CORD	bulk - Sold Per Foot		x
12	59D000004B	NUT			18
13	6674520	WINDOW	L.H. rear - W/Ref. 20		1
13	6674522	WINDOW	R.H. rear - W/Ref. 20		1
14	6681614	KNOB			8
15	6674519	WINDOW	L.H. front - W/Ref. 23		1
15	6674521	WINDOW	R.H. front - W/Ref. 23		1
16	6719063	STOP			2
17	6719037	STRIKER			2
18	6719065	COVER TAB	tab		4
19	6675212	RETAINER	bolt		4
20	6675833	SEAL	rear window - dual wiper W/tape		2
21	6657719	PLUG	for .75" dia. hole		2
22	6675545	GROMMET			4
23	6678283	HANDLE	side window - W/tape & instructions		2
24	6676927	FELT STRIP	20.38" (517,7 mm) long		2
25	6677198	TAB	tab		2
26		SEAL	NAP - 24"(609,6 mm) long - Order Ref. 27		1
27	6555351	SEAL	bulk - Sold Per Foot		x
28	6664085	BUSHING	nylon		4
29	91G000420B	BOLT			4
30	6729010	SEAL	L.H. - cab to main frame - foam		1
30	6729009	SEAL	R.H. - cab to main frame - foam		1
31	6729011	SEAL	cab mount		2
32		SEAL	NAP - Order Ref. 4		1
33	6677973	PLUG	for .22" dia. hole		2
34	7103075	SEAL	side screen		2
35		ADHESIVE	NAP - 1 oz. - for top window seal Ref. 1		1
36	6900852	INSTRUCTIONS INSTL	top & rear window - Was 6901013 [B]		1
36	6900853	INSTRUCTIONS	Side Windows		1

CAB WINDOWS (Rear Window Removal Kit)

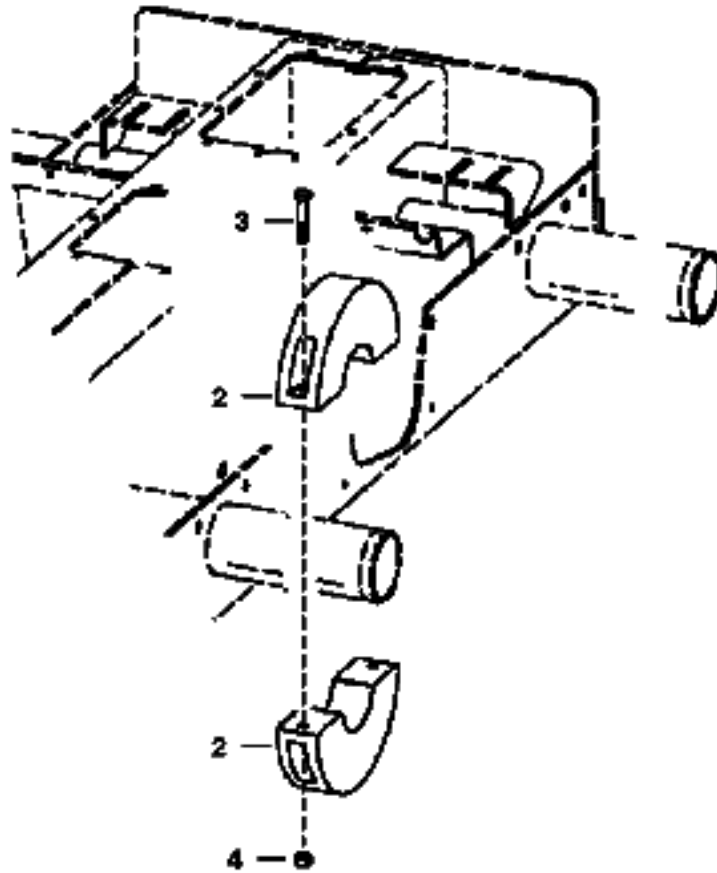


TS-2006

CAB WINDOWS (Cont'd)
(Rear Window Removal Kit)

Ref No	Part Number	Description	Remarks	Serial Number	Qty
1	6725946	KIT	Ref. 2 - 4		1
2	6725421	HANDLE			1
3	6726303	DECAL			1
4	6901029	INSTRUCTIONS			1

**COUNTERWEIGHT KIT
(1400 lb.)**



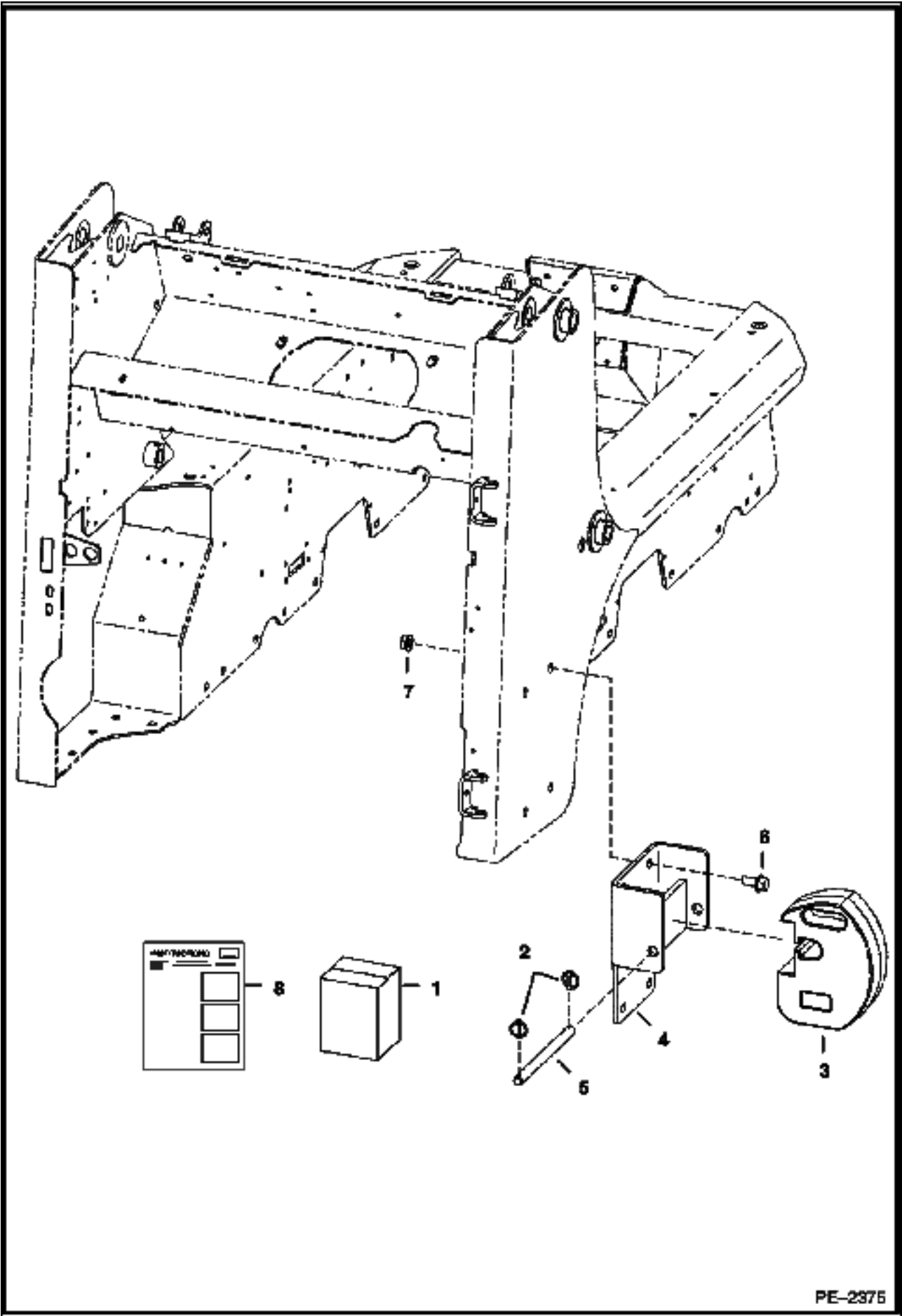
NOTE: Order Counterweight Kit from Gwinner Sales # 6704284.

NOTE: 1400 lb. R.O.C. is achieved w/ (1) rear door counterweight & (1) set of rear axle weights.

TS-1491

COUNTERWEIGHT KIT (Cont'd)
(1400 lb.)

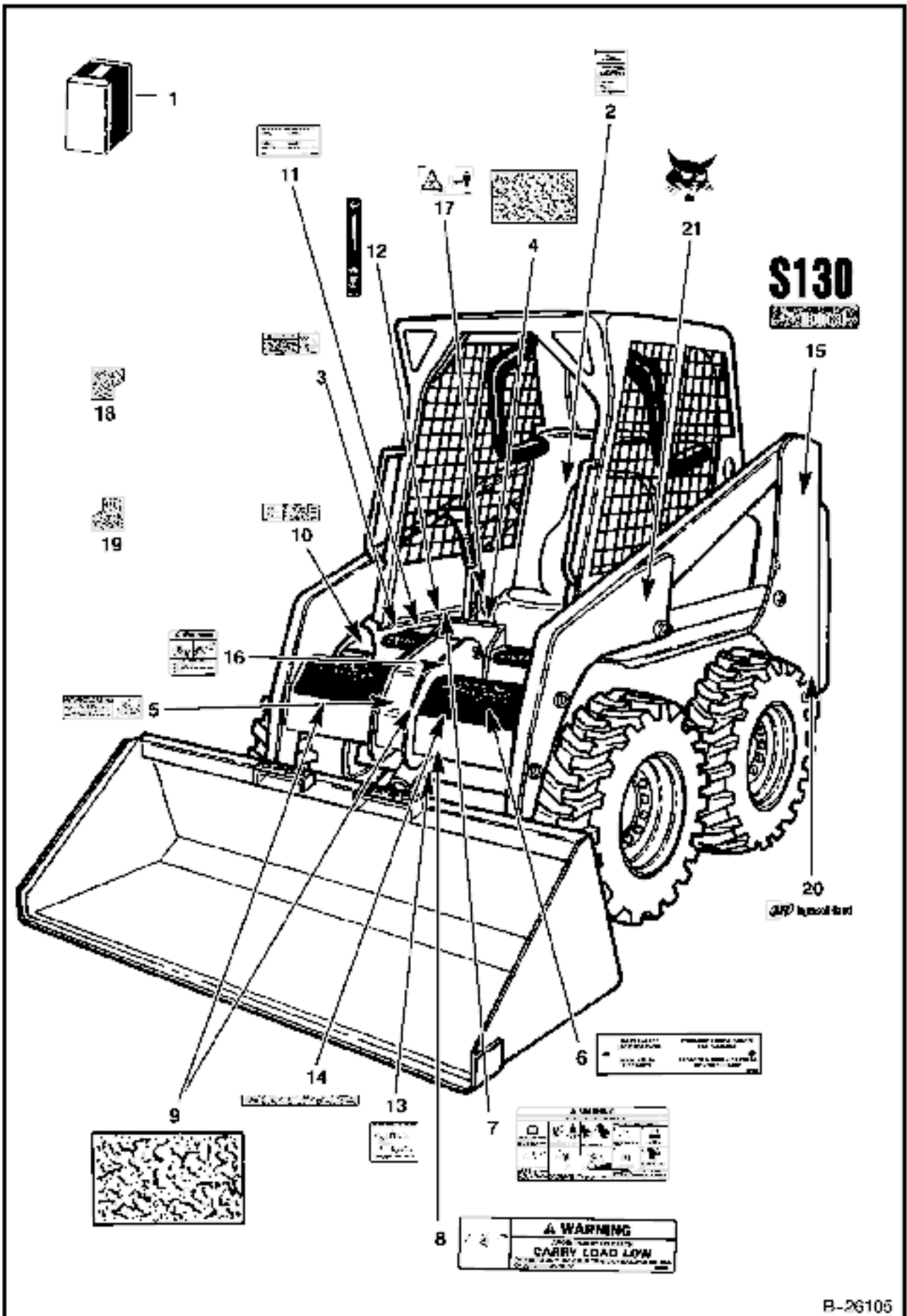
Ref No	Part Number	Description	Remarks	Serial Number	Qty
1		KIT	SALES - counterweight - SEE NOTE		1
2	6714361	WEIGHT	rear axle - 38.7 lbs (17,6 kg) - 4.5"(114,3 mm) wide		4
3	17C000640B	BOLT			4
4	61D000006B	NUT			4
5	6900366	INSTRUCTIONS			1



PE-2375

Ref No	Part Number	Description	Remarks	Serial Number	Qty
1	7105744	200 LB CTW KIT			1
2	6649706	PIN			4
3	6811483	COUNTERWEIGHT	(49 Lb.) (22,23 kg)		4
		T			
4	7105816	MOUNT ASSY			2
5	7105825	ROD			2
6	35C001020B	BOLT			8
7	57D000010B	NUT			8
8	6903164	INSTRUCTIONS			1

DECALS

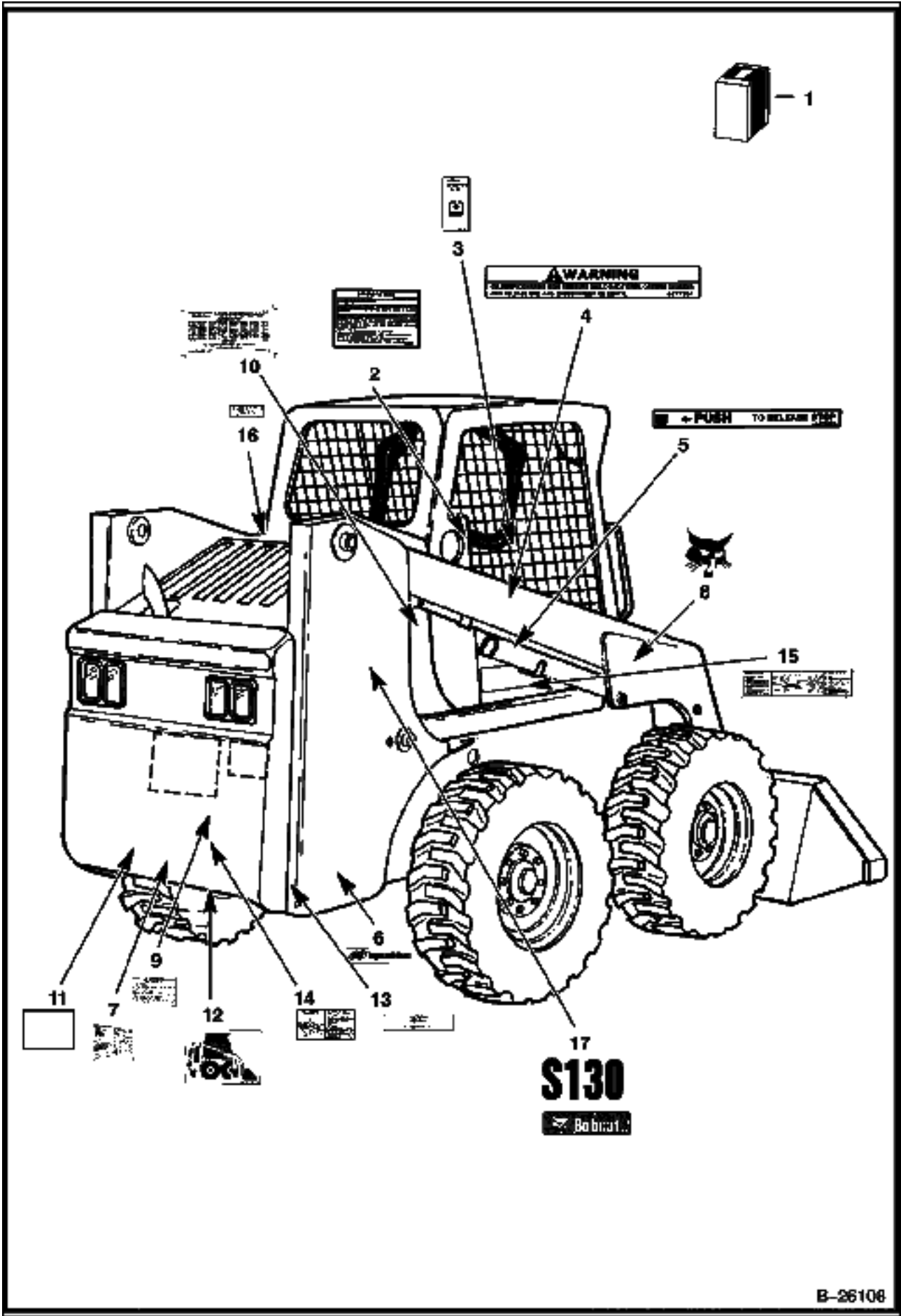


B-26105

DECALS (Cont'd)

Ref No	Part Number	Description	Remarks	Serial Number	Qty
1		KIT	decal		1
1	7120273AR	KIT, DECAL	decal		1
1	7120273BR	KIT, DECAL	decal		1
1	7120273JP	KIT, DECAL	decal		1
1	7120272AR	KIT, TRANSLATION	translation		1
1	7120272BR	KIT, TRANSLATION	translation		1
2	6737783	KIT	handbook - W/Wire Rope		1
2	6558309	WIRE ROPE	33" (838,2 mm) long - Bulk - Sold Per Foot - Also Order (2) of 6558310		x
2	6558310	SLEEVE	wire rope		2
2	17C000512B	BOLT			1
2	61D000005B	NUT			1
3	6717343	DECAL	danger		2
4	6554100	TREAD	6" x 6" (152,4 mm x 152,4 mm)		2
5	6702302	DECAL	danger		1
6	6561383	DECAL	Bob-tach		1
7	6728539	DECAL	warning - ACS		1
8	6579528	DECAL	carry load low		1
9	6577947	SAFETY TREAD	7.5" x 15" (190,5 mm x 381,0 mm) - Not in Kit		2
10	6702301	DECAL	danger		1
11	6727223	DECAL	capacity		1
12	6735140	DECAL	throttle		1
13	6731757	DECAL	front aux. coupler block - Not in Kit		1
14	6727917	SAFETY TREAD	1.25"x10.5"(31,8 mm x 266,7 mm)		2
15	7120601	DECAL	model		1
16	6710358	DECAL	warning		1
17	6713507	DECAL	stay clear -European - Not in Kit		2
18	6707523	SAFETY TREAD	L.H.		1
19	6707524	SAFETY TREAD	R.H.		1
20	6735864	DECAL	IR Logo		1
21	7116870	DECAL	Bobcat head		1
22	6553976	SAFETY TREAD	5" x 8" (127 mm x 203,2 mm)		1

DECALS

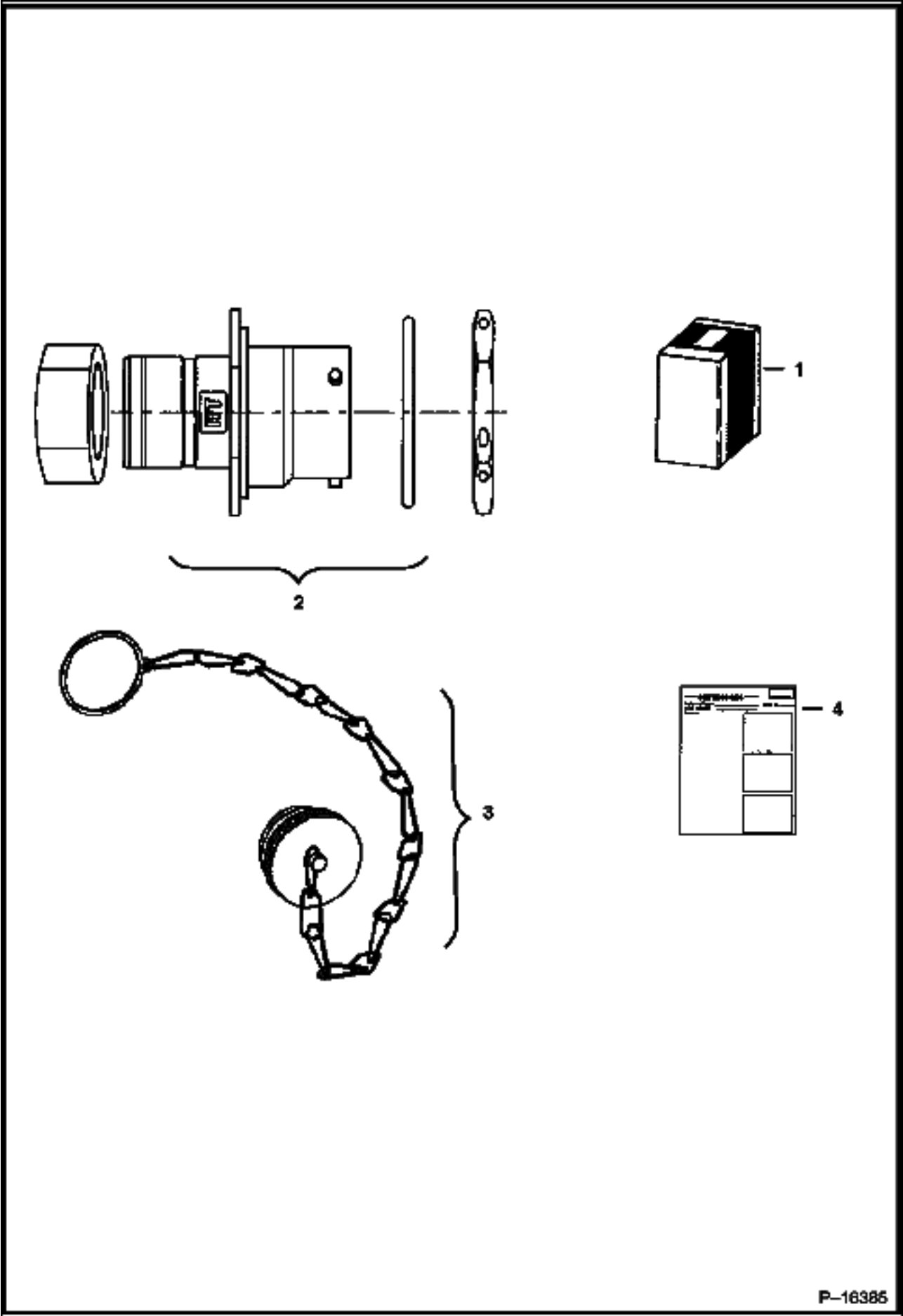


B-26108

DECALS (Cont'd)

Ref No	Part Number	Description	Remarks	Serial Number	Qty
1		KIT	decal		1
1	7120273AR	KIT, DECAL	decal		1
1	7120273BR	KIT, DECAL	decal		1
1	7120273JP	KIT, DECAL	decal		1
1	7120272AR	KIT, TRANSLATION	translation		1
1	7120272BR	KIT, TRANSLATION	translation		1
2	6560573	DECAL	spark arrestor		1
3	6565990	DECAL	Hydraulic/Hydrostatic Fluid		1
4	6577754	DECAL	gas spring warning		2
5	6578368	DECAL	push - gas spring		1
6	6735864	DECAL	IR - black		1
7	6727926	DECAL	operations		1
8	7116870	DECAL	Bobcat head		1
9	6734534	DECAL	warning/service schedule/ service parts		1
10	6557224	DECAL	patent		1
11	6735901	DECAL	Bobcat W/head - white		1
12	6727595	DECAL	tow hook		2
13	6565200	DECAL	engine oil filter		1
14	6709030	DECAL	belt tension		1
15	6706558	DECAL	boom stop		1
16	6708929	DECAL	propylene glycol antifreeze		1
17	7120601	DECAL	model		1

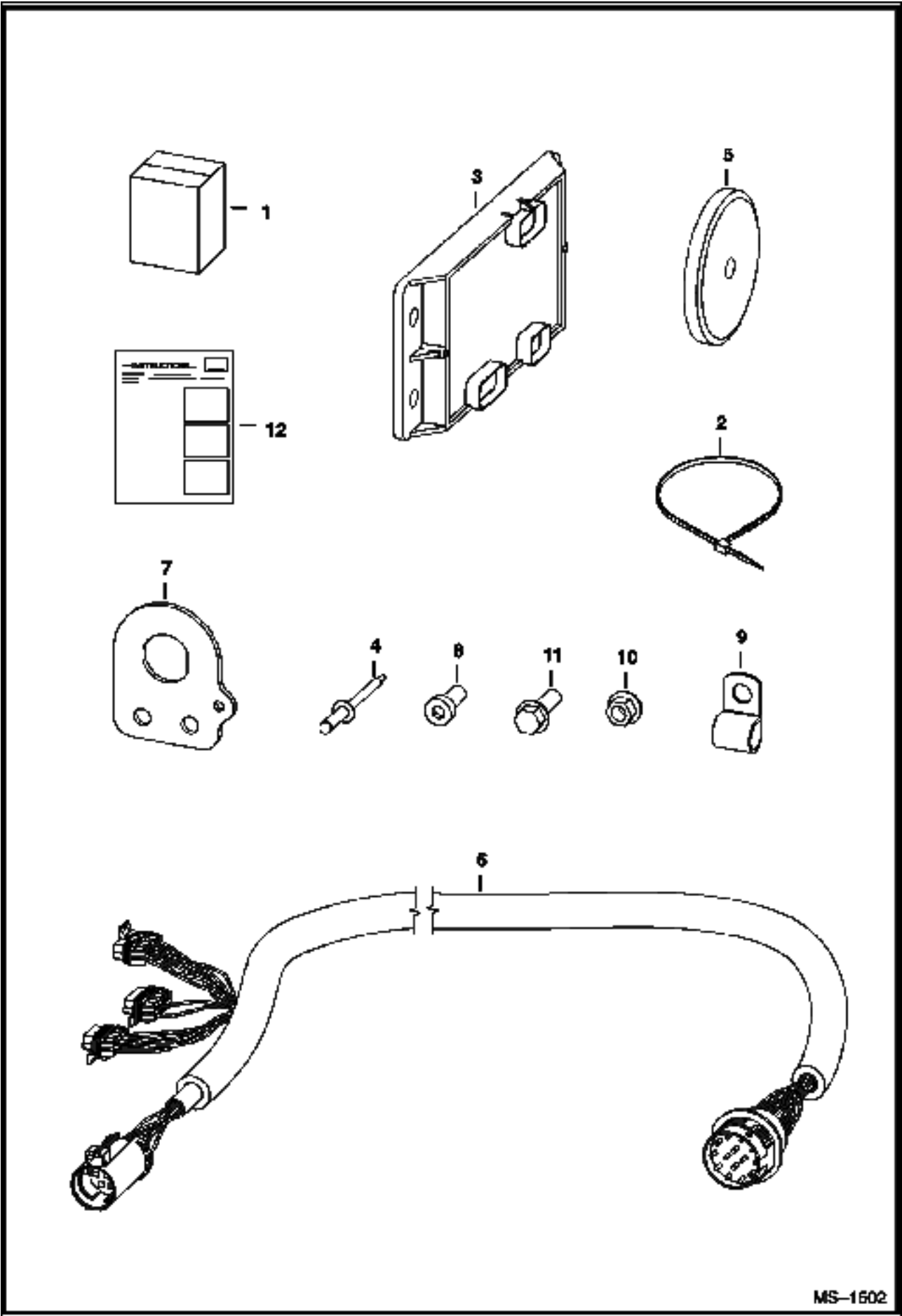
ELECTRICAL CONNECTOR KIT (7-Pin)



P-16385

Ref No	Part Number	Description	Remarks	Serial Number	Qty
1	6727176	KIT			1
2	6674802	CONNECTOR	7-pin		1
2	6669549	SOCKET	small		4
2	6677136	SOCKET	12 ga		3
3	6675026	CAP			1
4	6901076	INSTRUCTIONS			1

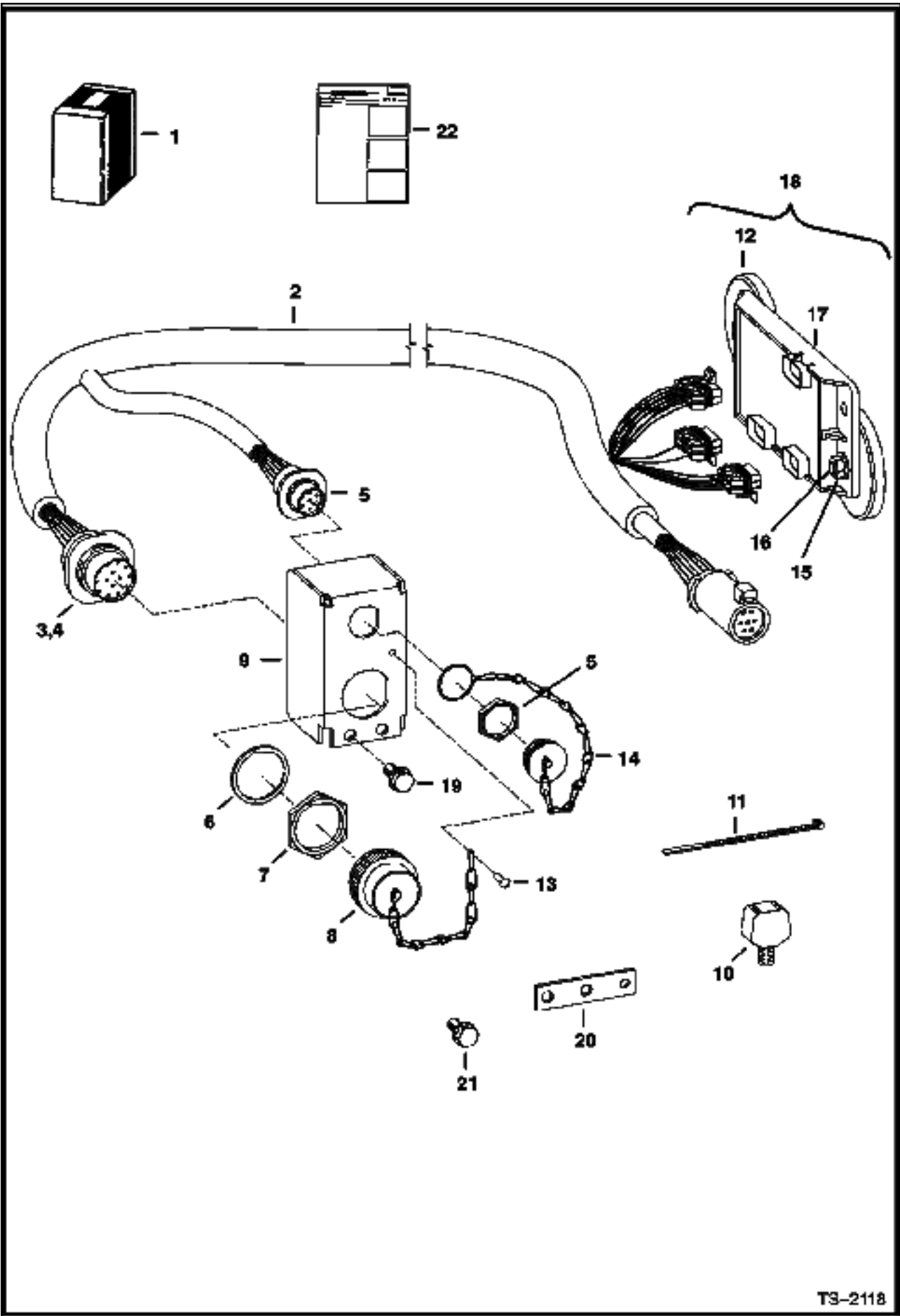
**ELECTRICAL CONTROLS KIT
(14 Pin Attachments)**



MS-1502

Ref No	Part Number	Description	Remarks	Serial Number	Qty
1	6733136	KIT			1
2	6624289	STA STRAP			7
3	6678675	CONTROLLER			1
4	6704892	RIVET			1
5	6719448	MAGNET			2
6	6732730	HARNESS			1
7	6733144	MOUNT			1
8	25G000612B	BOLT			2
9	30H000050B	CLAMP			6
10	83D000006B	NUT			2
11	84G003112B	BOLT			2
12	6901872	INSTRUCTIONS			1

ELECTRICAL CONTROLS KIT (To Run G-Series Attachments & Old Attachments) (W/O Toggle Switch)



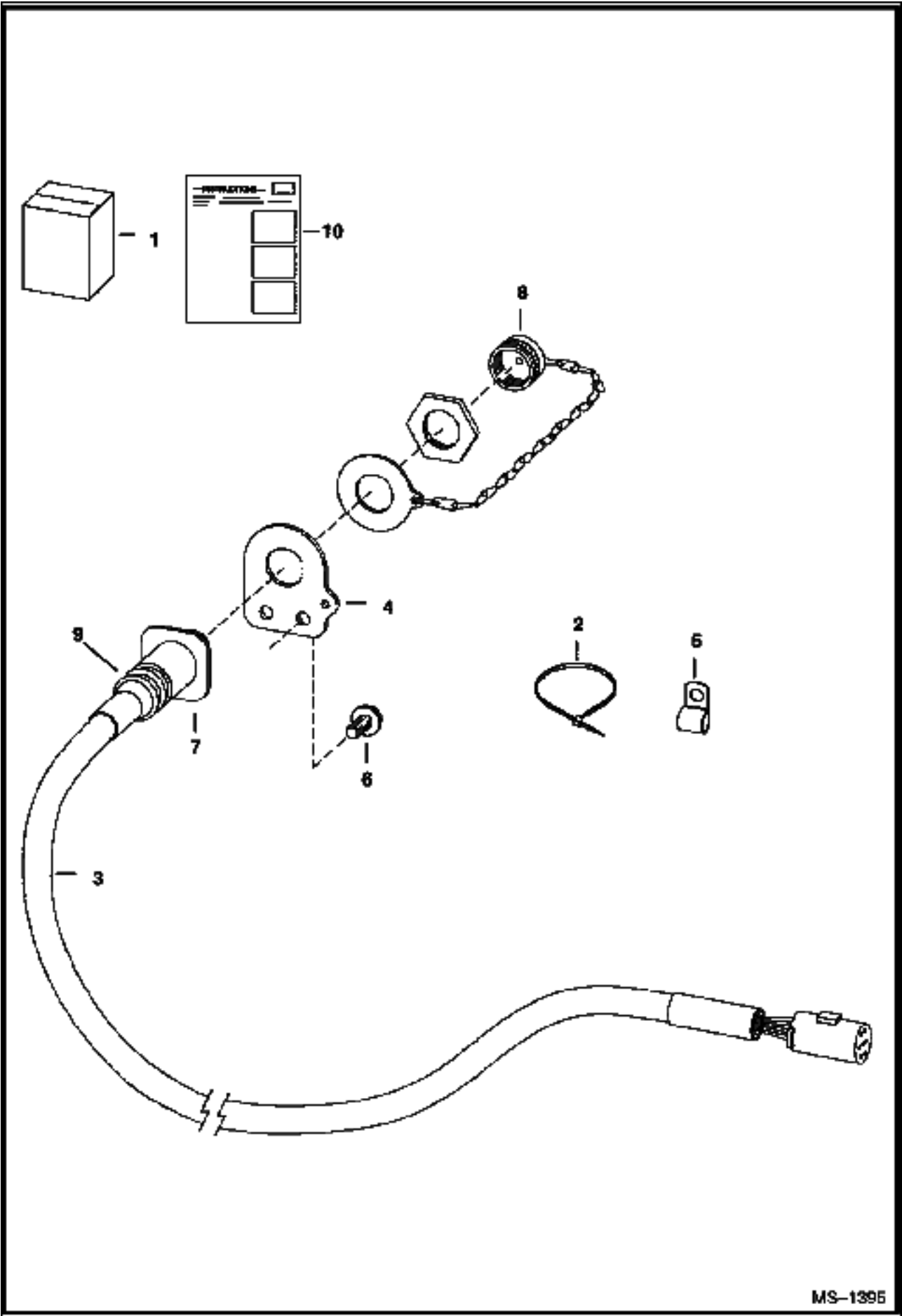
TS-2118

ELECTRICAL CONTROLS KIT (Cont'd)

(To Run G-Series Attachments & Old Attachments) (W/O Toggle Switch)

Ref No	Part Number	Description	Remarks	Serial Number	Qty
1	6727739	KIT			1
2	6729380	HARNESS	W/Ref. 3 - 7 & 14		1
3	6667569	CONNECTOR	Also Order (14) of Ref. 4		1
4	6664040	PIN	male		x
5	6674802	CONNECTOR	See Illustration ELECTRICAL CONNECTOR KIT/ P16385 7-PIN		1
5	6669549	SOCKET	small		4
5	6677136	SOCKET	large - 12 ga.		3
6	6664037	WASHER			2
7	6664036	NUT			2
8	6664035	CAP			1
9	6726945	MOUNT			1
10	6675281	MOUNT	773G only		1
11	6624289	STA STRAP			8
12	6719448	MAGNET	100 lb. force		4
13	6704892	RIVET			1
14	6675026	CAP			2
15	83D000006B	NUT			2
16	25G000612B	BOLT			2
17	6678675	CONTROLLER			1
18		CONTROLLER	NAP - assy - Ref. 12 & 15 - 17 - Order Ref. 17 & (2) ea. of Ref. 12, 15 & 16		1
19	84G003112B	BOLT			2
20	6730291	BRACKET	873G & 883 only		1
21	35C000512B	BOLT			2
22	6901116	INSTRUCTIONS			1

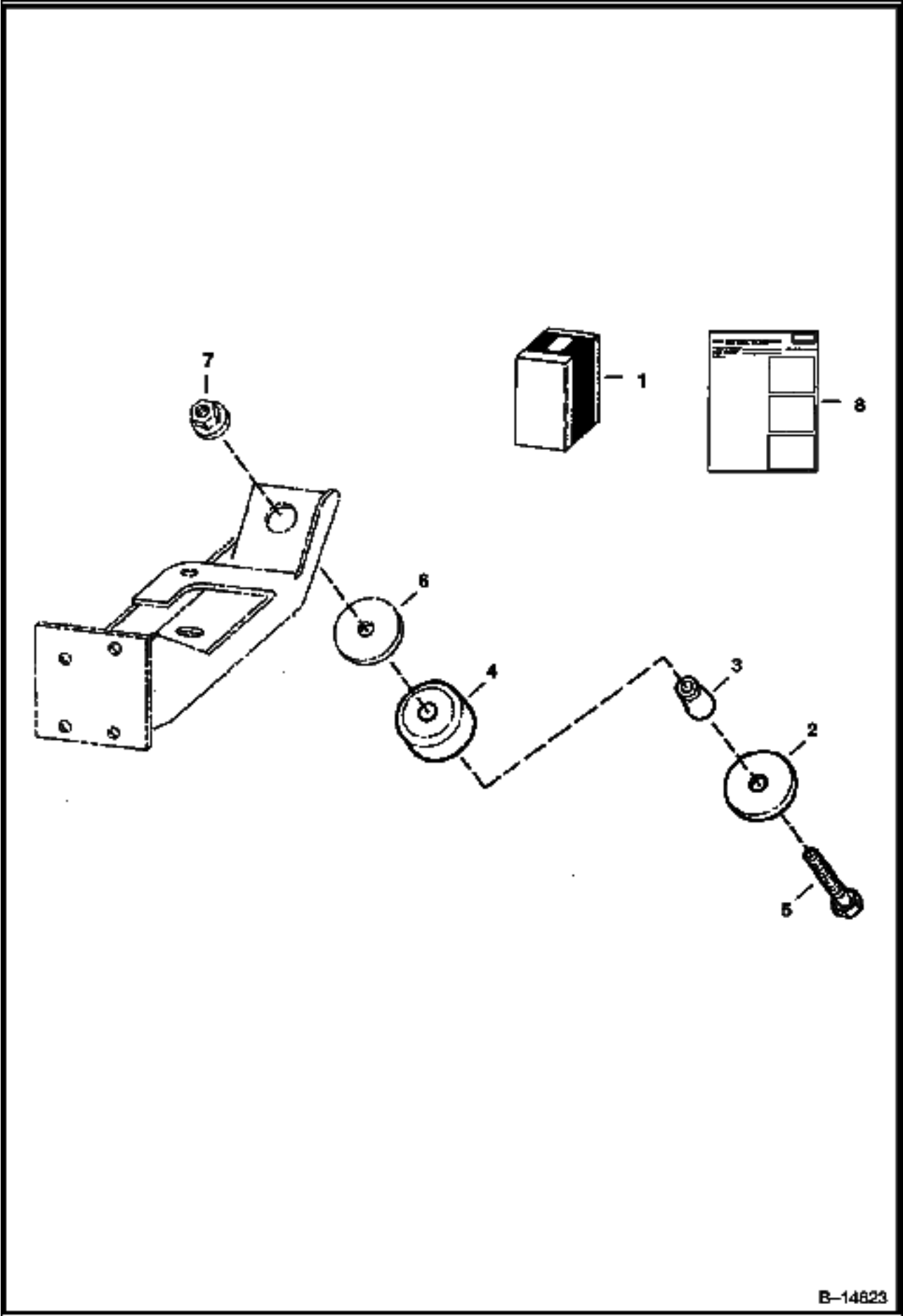
**ELECTRICAL CONTROLS KIT
(7 Pin Attachments)**



MS-1395

Ref No	Part Number	Description	Remarks	Serial Number	Qty
1	6733142	KIT	Ref. 2 - 8		1
2	6624289	STA STRAP			4
3	6718426	HARNESS	W/Ref. 4		1
4	6718750	MOUNT			1
5	30H000027B	CLIP			6
6	84G003112B	BOLT			8
7	6674802	CONNECTOR	7-pin		1
7	6669549	SOCKET	small		4
7	6677136	SOCKET	large - 12 ga.		3
8	6675026	CAP			1
9	6674799	ADAPTER	heat shrink		1
10	6901871	INSTRUCTIONS			1

ENGINE MOUNT KIT (For Rough Application)

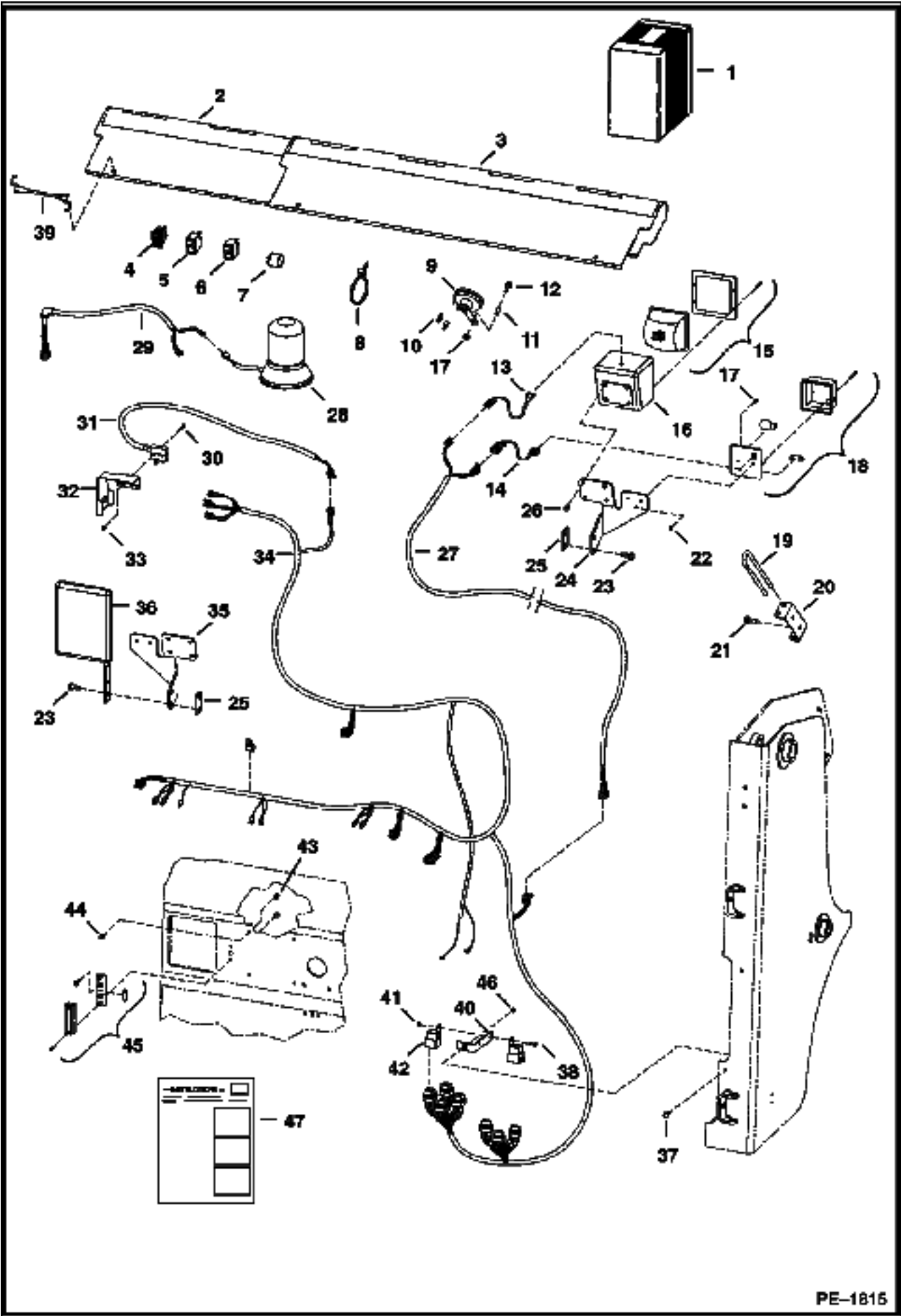


B-14823

ENGINE MOUNT KIT (Cont'd)
(For Rough Application)

Ref No	Part Number	Description	Remarks	Serial Number	Qty
1	6711632	MOUNTING KIT	Ref. 2 - 8		1
2	6661787	WASHER			4
3	6715287	SPACER			4
4	6668104	MOUNT			4
5	43C000852B	BOLT			4
6	6705106	WASHER			4
7	6652918	NUT			4
8	6724482	INSTRUCTION			1

EXPORT ACCESSORIES
(Road Kit)

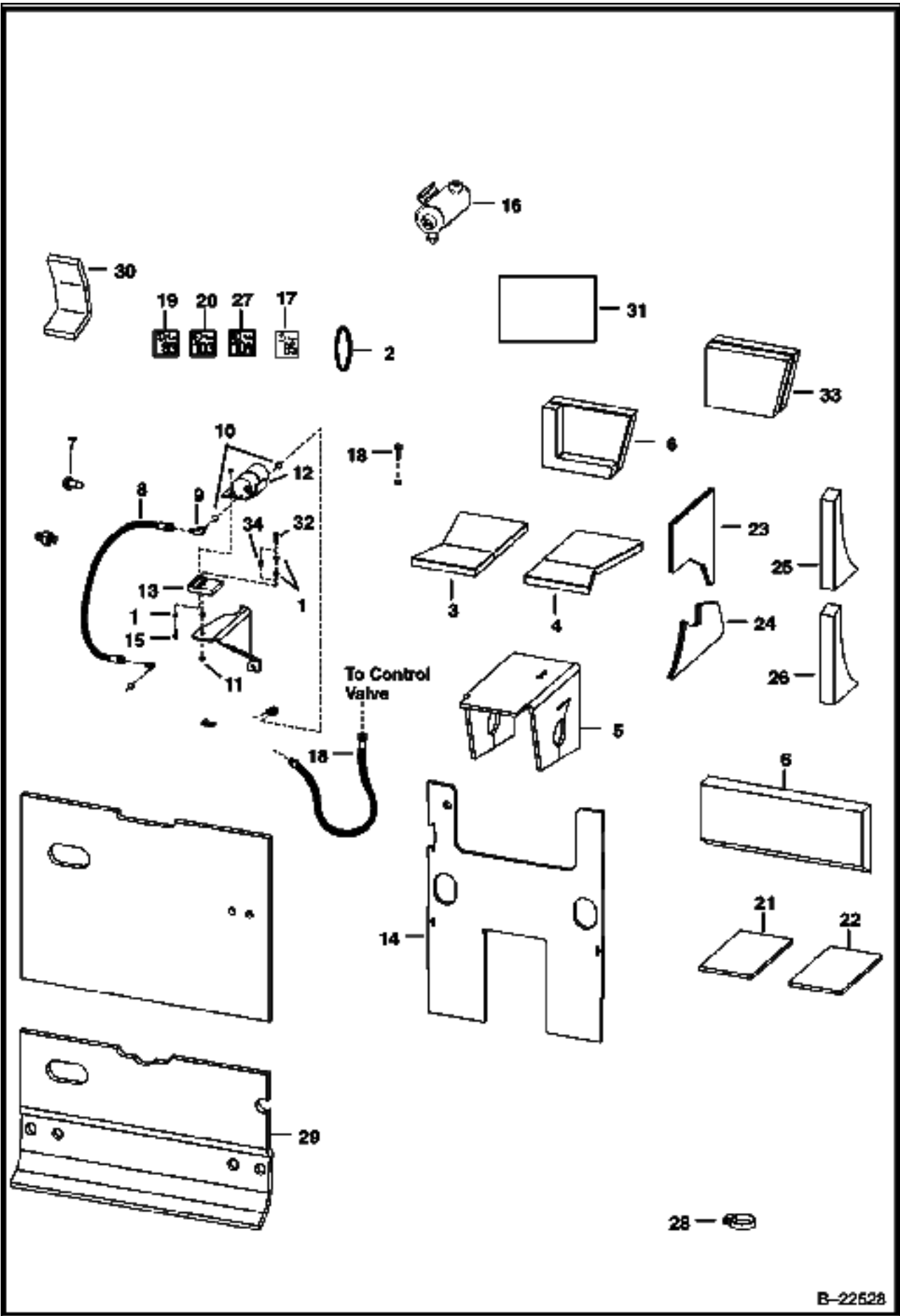


PE-1815

EXPORT ACCESSORIES (Cont'd)
(Road Kit)

Ref No	Part Number	Description	Remarks	Serial Number	Qty
1		KIT	SALES - Order 6731237 - For Europe Only		1
2	6713841	SHIELD	bucket		1
3	6714820	SHIELD	bucket		1
3	6713840	DECAL			1
4	6676872	TURN SIGNAL			1
5	6668815	SWITCH	hazard		1
6	6668816	SWITCH	beacon		1
7	6557904	FLASHER			1
8	6624289	STA STRAP			26
9	6671106	HORN			1
10	6675064	TERMINAL			2
11	6732206	SPACER			1
12	35C000536B	BOLT			1
13	6713994	HARNESS	adapter - headlight		2
14	6713993	HARNESS	adapter - light		2
15	6665728	LIGHT	front		2
16	6707804	HOUSING			2
17	85G000808B	BOLT			4
18	6665727	LIGHT	front turn		2
19	6731222	PIN	Bob-tach		1
20	6731973	HOLDER	pin		1
21	84G003712B	BOLT			2
22	12D000008B	NUT			4
23	84G003716B	BOLT			4
24	6713151	MOUNT	light - R.H.		1
25	6735825	SPACER			2
26	17C000508B	BOLT			8
27	6731239	HARNESS	boom light		2
28	6675523	BEACON	light		1
29	6718872	HARNESS	cab exterior		1
30	85G000616B	SCREW			2
31	6661150	SWITCH			1
32	6713736	BRACKETS			1
33	12D000006B	NUT			2
34	6726430	HARNESS	engine/tail - Italian		1
35	6713150	MOUNT	light - L.H.		1
36	6665860	KIT	side mirror		1
37	17C000512B	BOLT			1
38	17C000410B	BOLT			2
39	6731819	STRAP	rubber		3
40	6702650	MOUNT	fuse		1
41	85D000004B	NUT			2
42	6670312	SOLENOID	magnetic		4
43	83D000004B	NUT			4
44	35C000410B	BOLT			4
45	6665729	LIGHT	license plate		1
46	55D000005B	NUT			2
47	6901663	INSTRUCTIONS			1

**EXPORT ACCESSORIES
(Sound Option)**

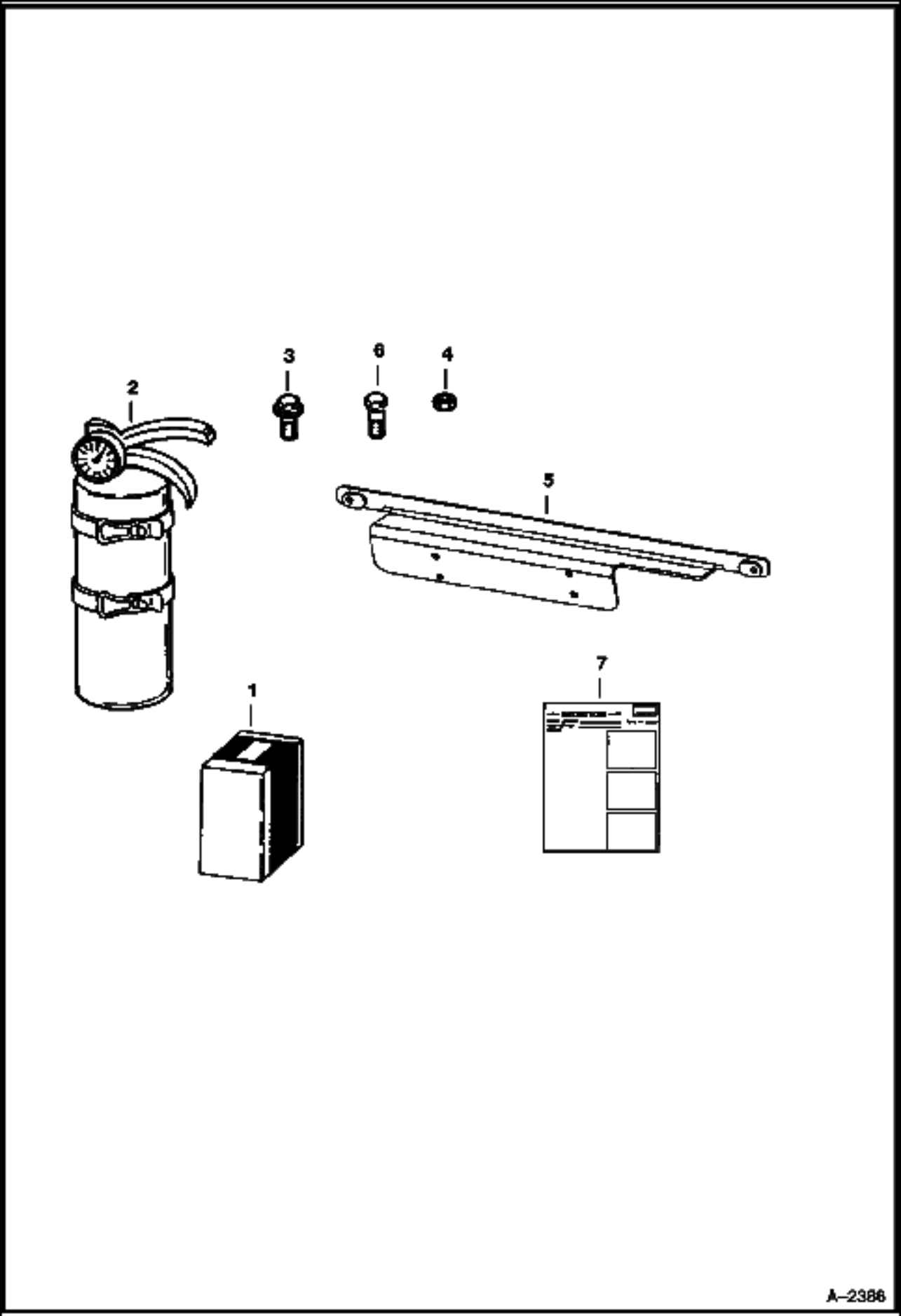


B-22528

EXPORT ACCESSORIES (Cont'd)
(Sound Option)

Ref No	Part Number	Description	Remarks	Serial Number	Qty
1	6562619	BUSHING			2
2	6703483	PULLEY			1
3	6732722	INSULATION	cross member - L.H.		1
4	6732723	INSULATION	cross member - R.H.		1
5	6715372	INSULATION	pedal		1
6	6725316	INSULATION	transmission		1
7	84G003716B	BOLT			2
8	6729144	HOSE	pump to hyd. muffler		1
9	17KB01212B	ELBOW	W/Ref. 10		1
10	79K000012B	O-RING			x
11	85D000006B	NUT			2
12	6659982	MUFFLER	hydraulic		1
13	6705333	MOUNT	rubber		1
14	6719372	INSULATION	steering panel		1
15	35C000616B	BOLT			2
16	6735285	AIR CLEANER			1
17	6579385	DECAL	85db		1
18	6729155	HOSE	muffler to control valve		1
19	6579399	DECAL	noise level - 83 decibel		1
20	6579403	DECAL	noise level - 103 decibel		1
21	6705849	INSULATION	brace		1
22	6705850	INSULATION	brace		1
23	6719332	INSULATION	blower housing		1
24	6704769	INSULATION	blower housing		1
25	6707923	INSULATION	upright		1
26	6707924	INSULATION	upright		1
27	6812569	DECAL	noise level - 101 decibel		1
28	42H000044B	CLAMP			2
29	6715106	INSULATION	rear door		1
30	6703331	INSULATION	air inlet		1
31	6715371	INSULATION	transmission		1
32	84G003724B	BOLT			1
33	6705848	INSULATION	transmission		2
34	6715744	BUSHING			1

FIRE EXTINGUISHER

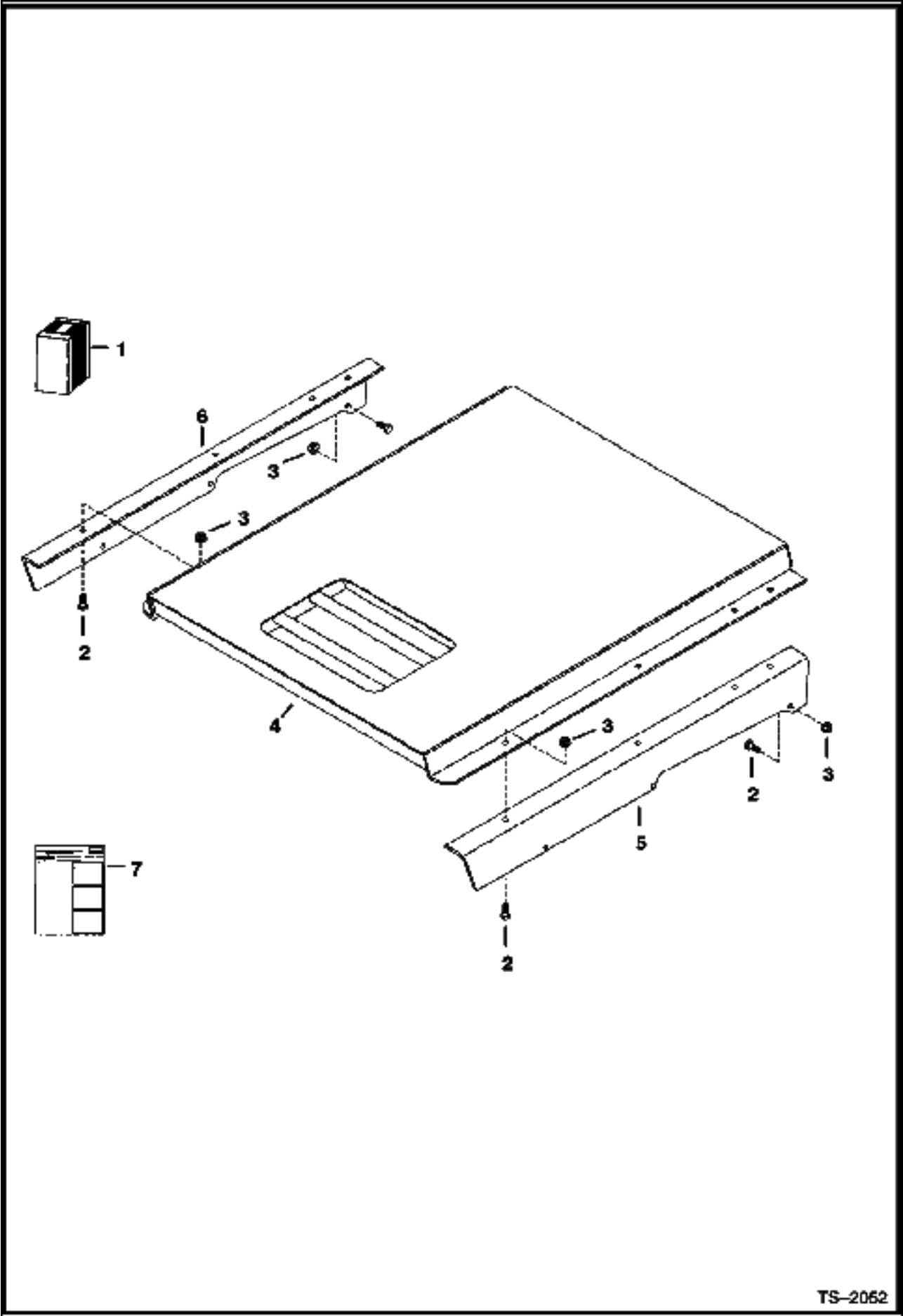


A-2388

FIRE EXTINGUISHER (Cont'd)

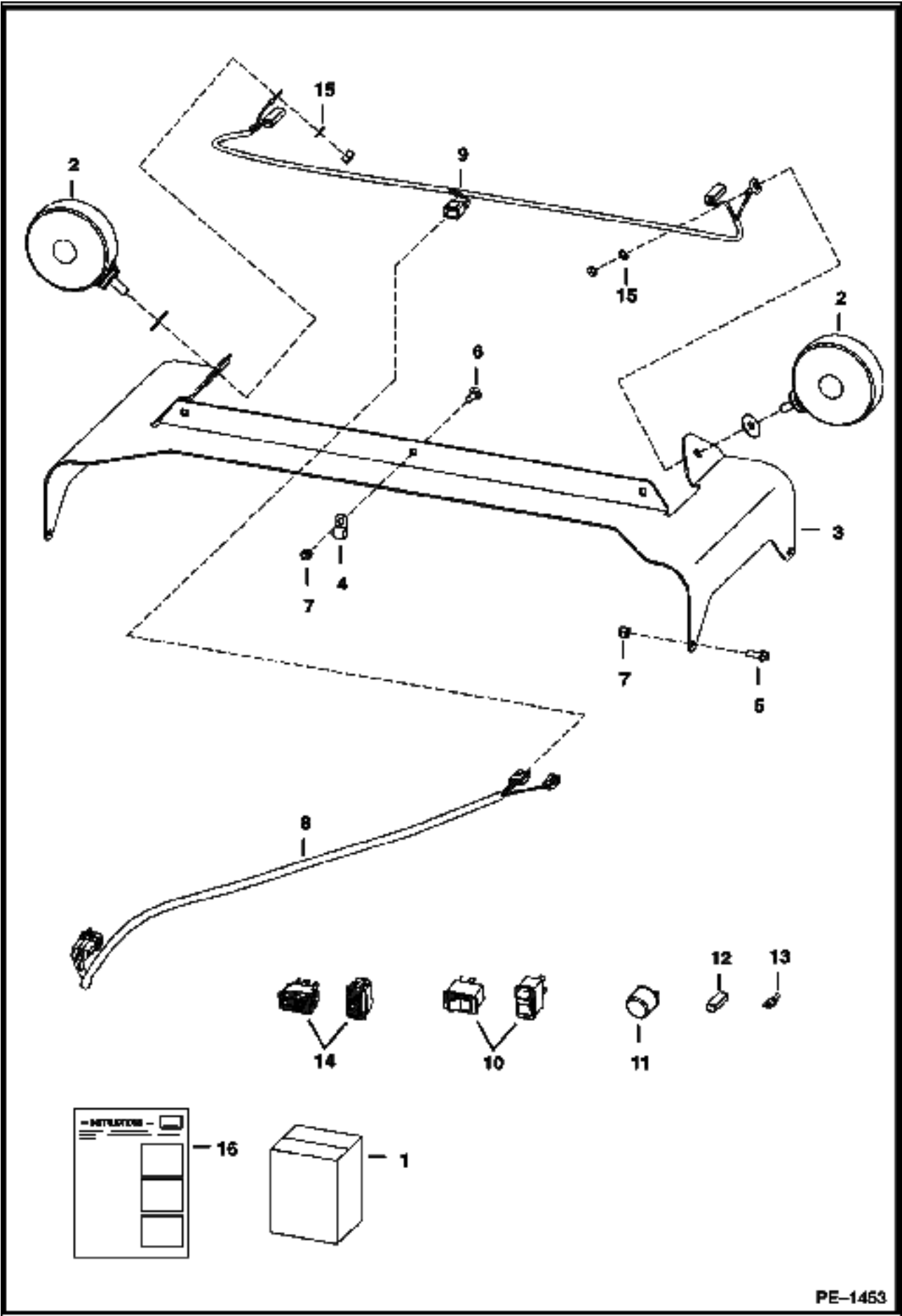
Ref No	Part Number	Description	Remarks	Serial Number	Qty
1	6725898	KIT	fire extinguisher - Ref. 2 - 7		1
2	6675581	EXTINGUISHER			1
3	45G001006B	BOLT			4
4	12D000010B	NUT			4
5	6725906	BRACKET			1
6	31C000410B	BOLT			2
7	6901025	INSTRUCTIONS			1

F.O.P.S. KIT



F.O.P.S. KIT (Cont'd)

Ref No	Part Number	Description	Remarks	Serial Number	Qty
1	6718924	KIT	Ref. 2 - 7		1
2	17C000616B	BOLT			14
3	83D000006B	NUT			14
4	6702402	SHIELD			1
5	6718833	BRACKET	L.H.		1
6	6718834	BRACKET	R.H.		1
7	6720592	INSTRUCTIONS			1

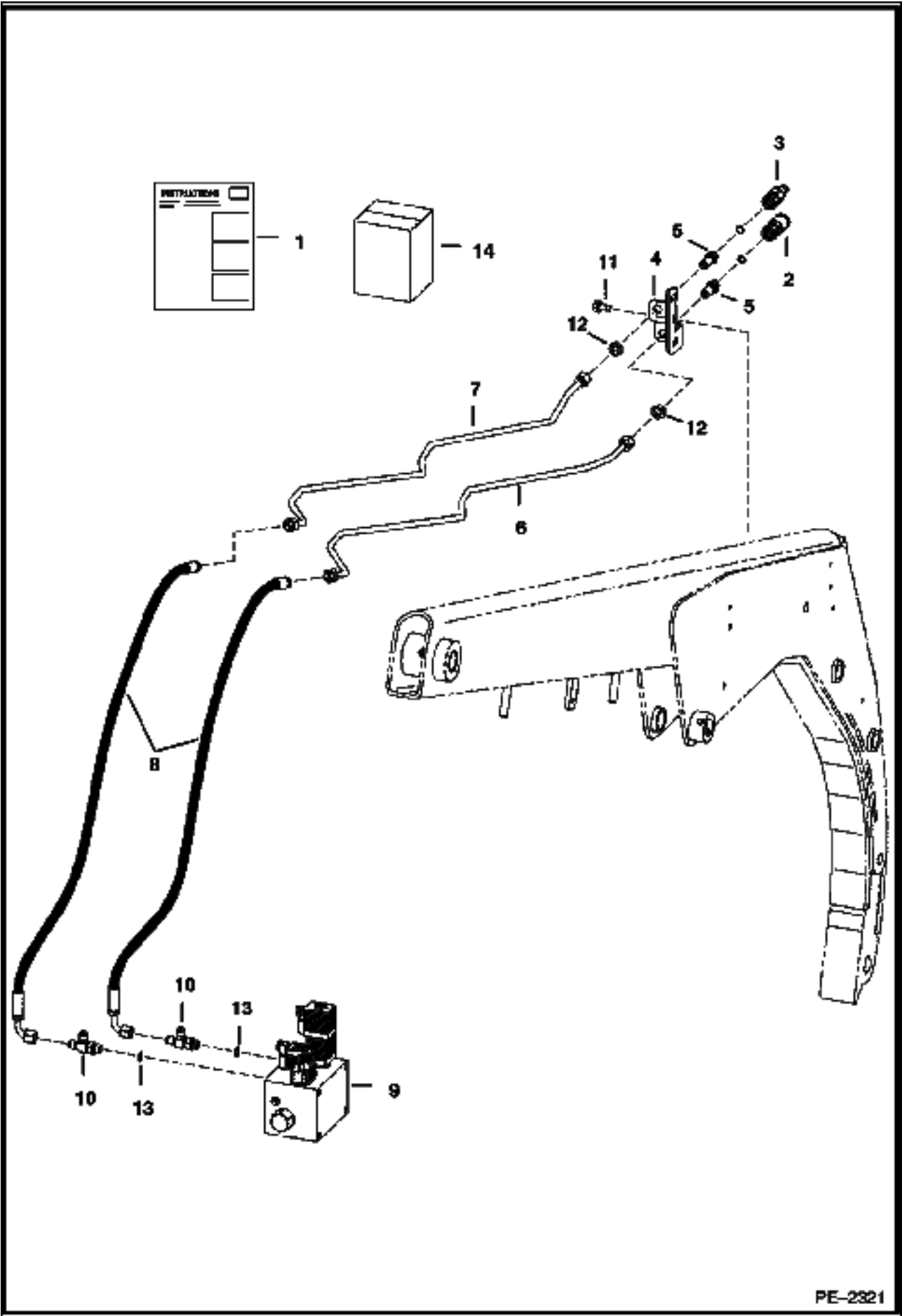


PE-1453

FLASHER LIGHTS (Cont'd) (4-Way/Turn Indicators)

Ref No	Part Number	Description	Remarks	Serial Number	Qty
1	6718411	KIT	Ref. 2, 3 & 5-16 - If loader is not equipped W/ heater, air conditioning, selectable joystick controls, advanced control system, power bob-tach, non-power port plug-in strobe lights and/or rotating beacon, also order 7116260 deluxe harness		1
2	6517516	LIGHT			2
3	6718326	MOUNT			1
4	30H000021B	CLAMP	Not in Kit		3
5	35C000412B	BOLT			4
6	37C000412B	BOLT			3
7	59D000004B	NUT			7
8	6718872	HARNESS	ext. cab		1
9	6718873	HARNESS	4-way flasher		1
10	6665316	SWITCH	horizontal		1
10	6668815	SWITCH	vertical		1
11	6557904	FLASHER			1
12	614142B	SLEEVE			1
13	6515131	TERMINAL			1
14	6675835	TURN SIGNAL	dash - horizontal		1
14	6676872	TURN SIGNAL	dash - vertical		1
15	6E000005B	WASHER			1
16	6900848	INSTRUCTIONS			1

FRONT AUXILIARY (R.H. Kit)

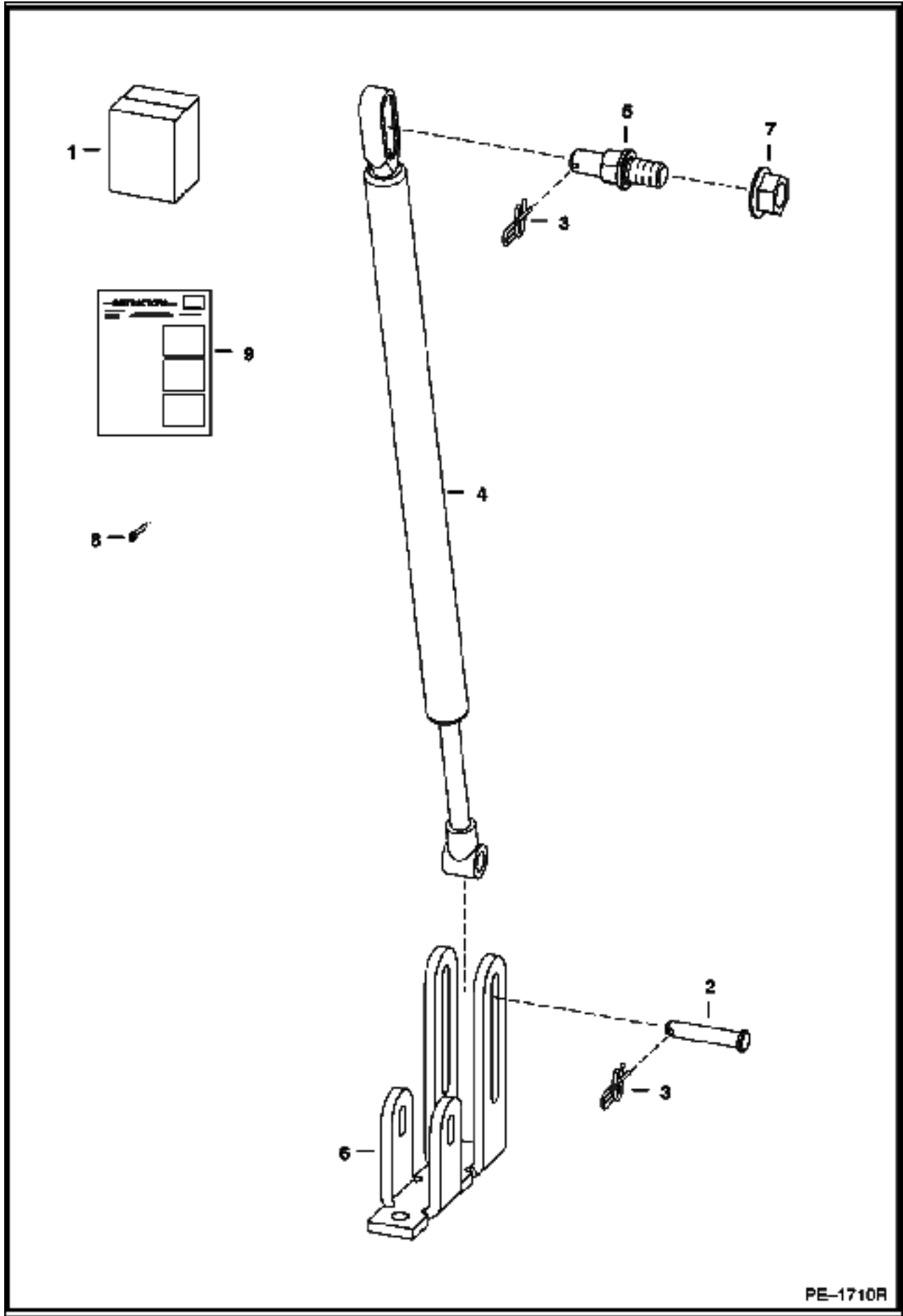


PE-2321

FRONT AUXILIARY (Cont'd) (R.H. Kit)

Ref No	Part Number	Description	Remarks	Serial Number	Qty
1	7104852	KIT, RH FRONT AUX	requires rear auxiliaries		1
2	6667803	COUPLER	female		1
3	6667804	COUPLER	male		1
3	6669657	SEAL KIT			1
4	6711674	MOUNT			1
5	6716089	CONNECTOR	W/ O-rings		2
6	7104912	TUBE			1
7	7104911	TUBE			1
8	7104913	HOSE			2
9		VALVE	select - Not in Kit		1
10	21KB00606B	TEE	W/Ref. 13		2
11	84G003712B	BOLT			2
12	86F000005B	NUT	NUT		3
13	79K000006B	O-RING			x
14	6903139	INSTRUCTIONS			1

GAS SPRING KIT

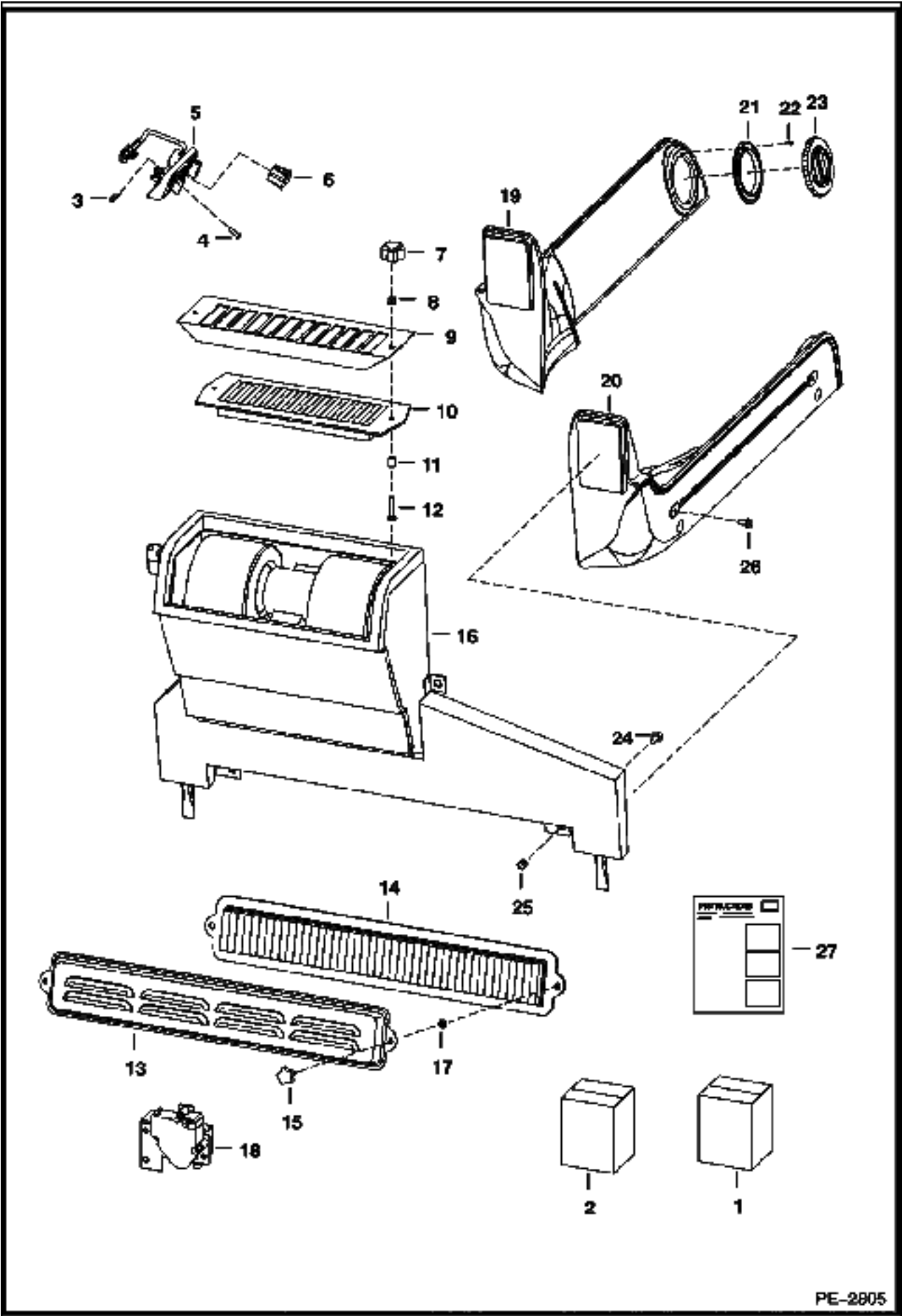


PE-1710R

GAS SPRING KIT (Cont'd)

Ref No	Part Number	Description	Remarks	Serial Number	Qty
1	6732928	KIT			1
2	6567743	PIN			1
3	6631418	PIN			2
4	6678292	GAS SPRING			1
5	6719064	MOUNT			1
6	6729141	MOUNT			1
7	97D000008B	NUT			1
8	21G000804B	BOLT			1
9	6901816	INSTRUCTIONS			1

**HEATER & A/C
(Heater Kit)**

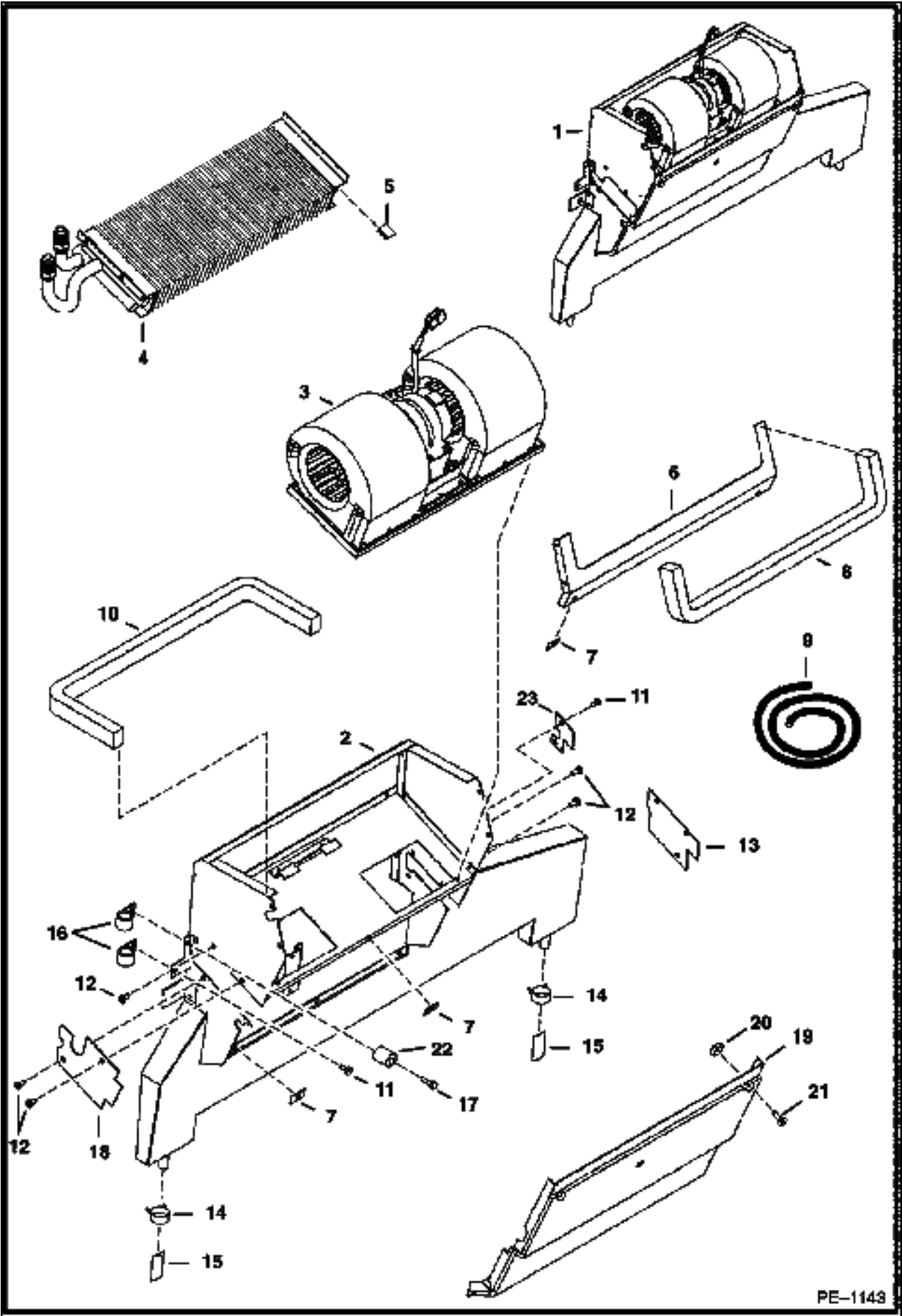


PE-2805

HEATER & A/C (Cont'd) (Heater Kit)

Ref No	Part Number	Description	Remarks	Serial Number	Qty
1	7116899	KIT HEATER CAB	If loader is not equipped W/ beacon, air conditioning, selectable joystick controls, advanced control system, power bob-tach, non-power port plug-in strobe lights and/or non-power port plug-in 4 way flashers, also order 7116260 deluxe harness		1
2	6725513	PACKAGE	Decal		1
3	6669091	CLIP	retainer		3
4	6669224	BOLT			3
5	6674228	PANEL	control		1
5	6640699	CONNECTOR			1
5	6718579	DECAL			1
5	6718887	PANEL			1
5	6675176	SWITCH	blower		1
5	6675177	KNOB			1
5	6675846	POTENTIOMETE R			1
6	6675181	PLUG	switch hole - AC		1
7	6681614	KNOB			2
8	83D000004B	NUT			2
9	6718175	SCREEN	filter		1
10	6678207	FILTER	recirculation		1
11	6718837	SPACER			2
12	37C000424B	BOLT			2
13	6727847	COVER			1
14	6677983	FILTER			1
15	6726386	KNOB			2
16	6688543	HEATER	See Illustration HEATER/ PE1143		1
17	6676516	NUT	Push		2
18	7101928	VALVE			1
18	6641174	CONNECTOR	male		1
18	6689635	BRACKET	actuator mounting		1
18	6675172	BRACKET	valve mounting		1
18	6675173	ACTUATOR			1
18	6689637	VALVE			1
19	6735246	DUCT	L.H.		1
20	6735245	DUCT	R.H.		1
21	6675179	FLANGE	round		4
22	57G000608B	SCREW			16
23	6674231	VENT	round		4
24	37C000512B	BOLT			4
25	59D000005B	NUT			4
26	35C000410B	BOLT			4
27	6904255	INSTRUCTIONS			1

HEATER Heater Assembly

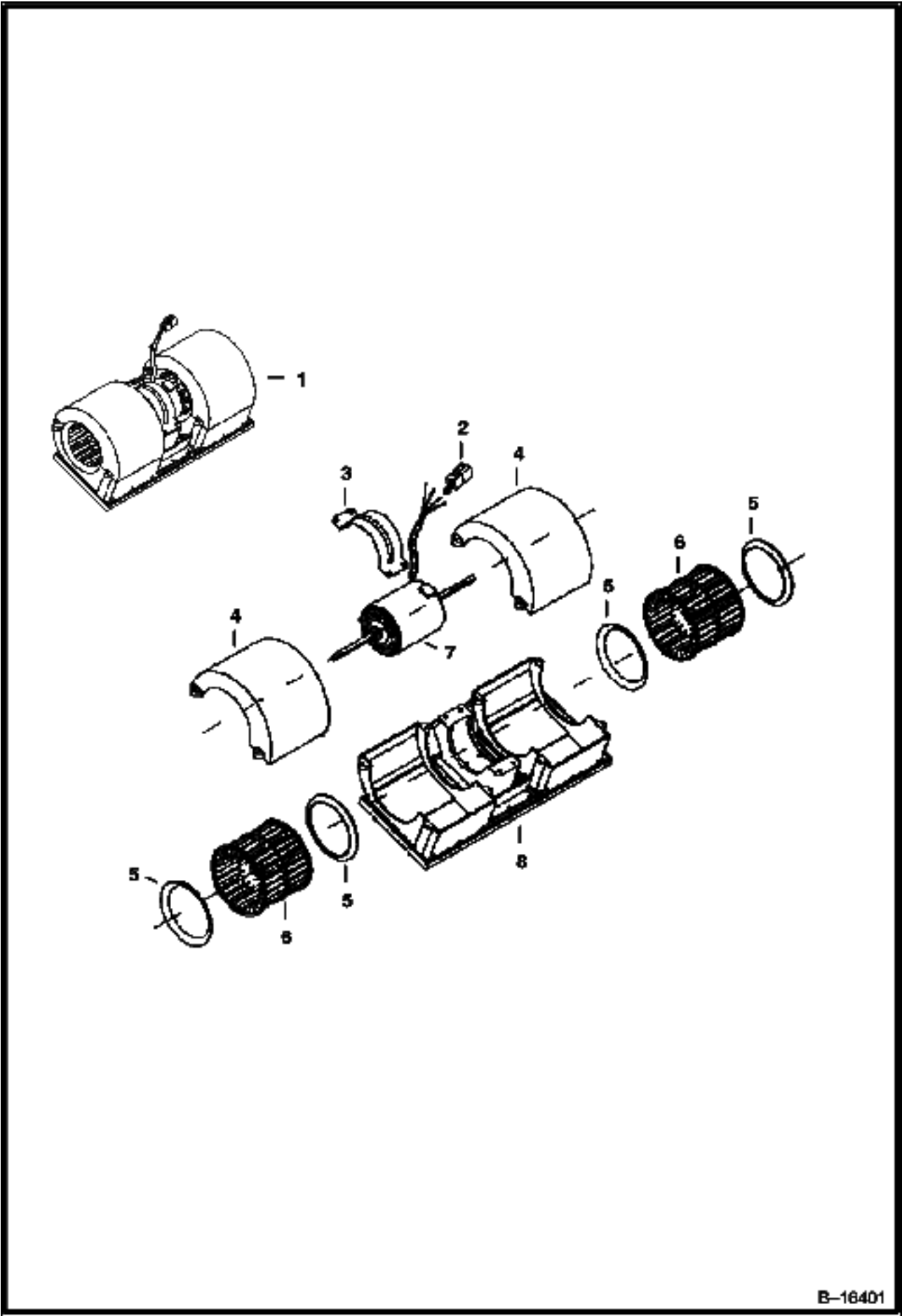


PE-1143

HEATER (Cont'd) Heater Assembly

Ref No	Part Number	Description	Remarks	Serial Number	Qty
1	6688543	HEATER	Ref. 2-23		1
2	6677108	HOUSING			1
3	6689696	BLOWER	See Illustration HEATER & A/C/ B16401 assy		1
4		COIL	See Illustration HEATER/ PE1228 NAP		1
5	6676539	CLIP			3
6	6678152	SEAL			1
7	6677115	RECEPTACLE			6
8		SEAL	NAP - 22.6"(575mm) long - Order Ref. 9		1
9	6677111	SEAL	bulk - Sold Per Foot		x
10		SEAL	NAP - 25"(635mm) long - Order Ref. 9		1
11	6677119	SCREW	sheetmetal		7
12	6677118	SCREW	w/washer		4
13	6677120	COVER			1
14	6675510	CLAMP	drain hose		2
15	6675511	DRAIN VALVE			2
16	6675512	CLAMP	hose		2
17	6676653	SCREW			1
18	6677504	COVER			1
19	6678151	COVER			1
20	6677116	RETAINER			6
21	6677117	SCREW	captive		6
22	6676606	SPACER			1
23	6677105	COVER			1

HEATER & A/C (Blower Assembly)

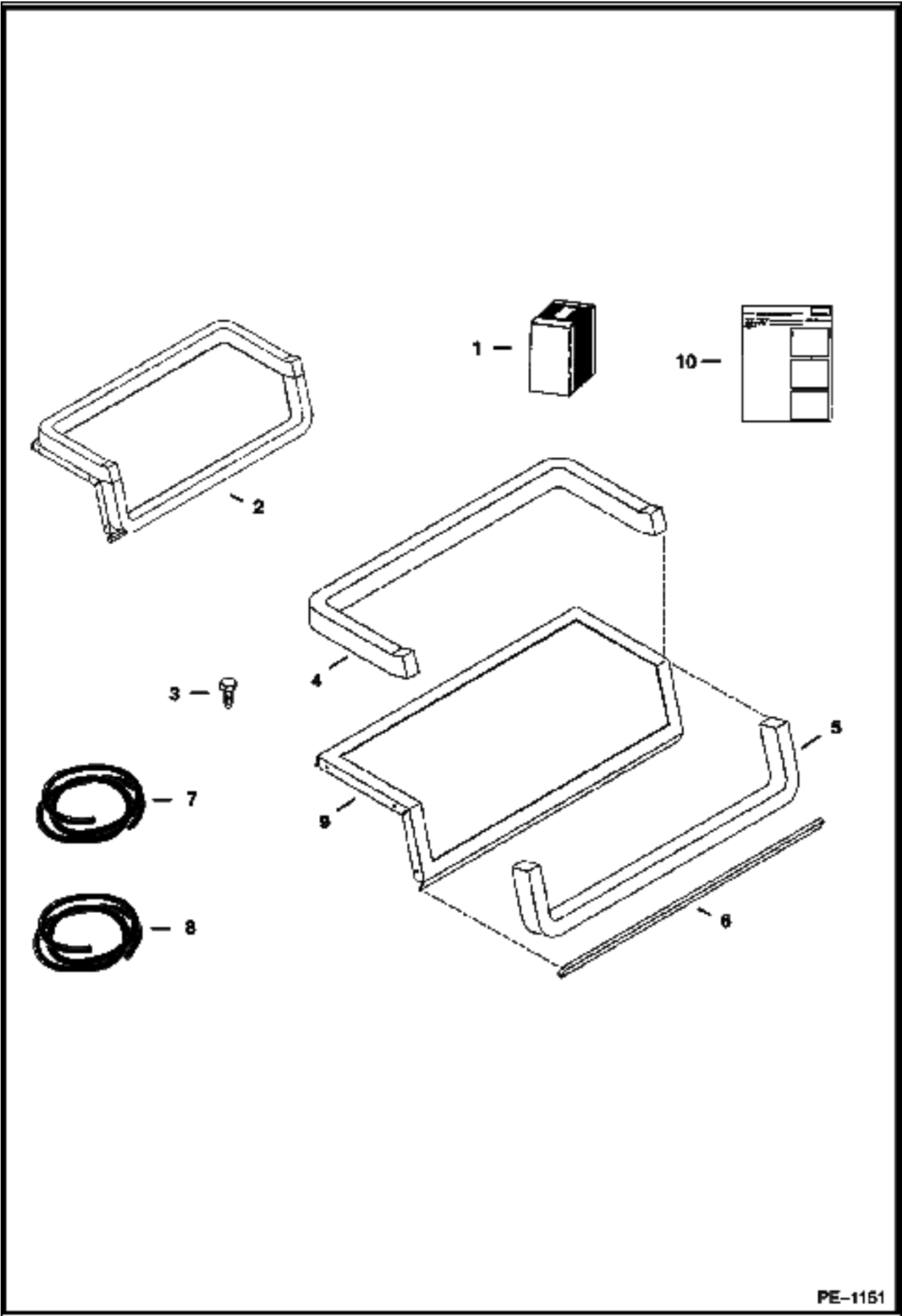


B-16401

**HEATER & A/C (Cont'd)
(Blower Assembly)**

Ref No	Part Number	Description	Remarks	Serial Number	Qty
1	6689696	BLOWER	Ref. 2-8		1
2	6665017	CONNECTOR	4-pin		1
2	6662252	LOCK	6-pin		1
2	6662257	PIN			4
2	6665370	PLUG			2
3	6675506	MOUNT			1
4	6675507	COVER			2
5	6675504	RING			4
6	6675505	BLOWER WHEEL			2
6	6676618	CLIP			2
7	6675509	MOTOR	W/Ref. 2		1
8	6675503	HOUSING			1

HEATER (Blower Seal Kit)

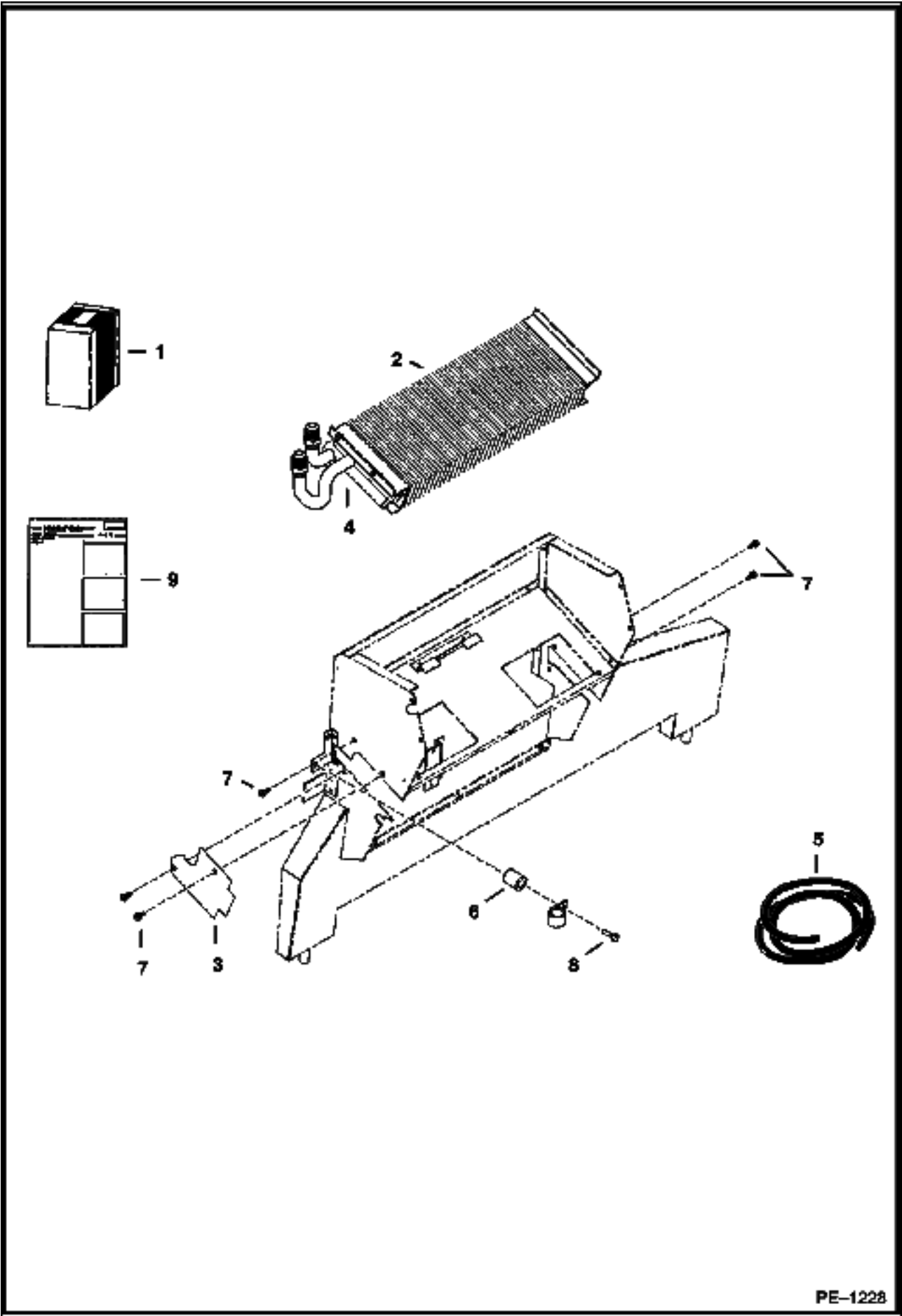


PE-1151

**HEATER (Cont'd)
(Blower Seal Kit)**

Ref No	Part Number	Description	Remarks	Serial Number	Qty
1	6728567	KIT	blower seal - W/Ref. 2, 3 & 10		1
2		FLANGE SEAL	NSS - assy - Ref. 4, 5, 6 & 9 - Order Ref. 1		1
3	6726621	SCREW			7
4		SEAL	NAP - 27" (686mm) long - Order Ref. 8		1
5		SEAL	NAP - 21" (534mm) long - Order Ref. 8		1
6		SEAL	NAP - 15" (384mm) long - Order Ref. 7		1
7	6675611	SEAL	bulk - Sold Per Foot		x
8	6677111	SEAL	bulk - Sold Per Foot		x
9		FLANGE	NSS - Order Ref. 1		1
10	6901213	INSTRUCTIONS			1

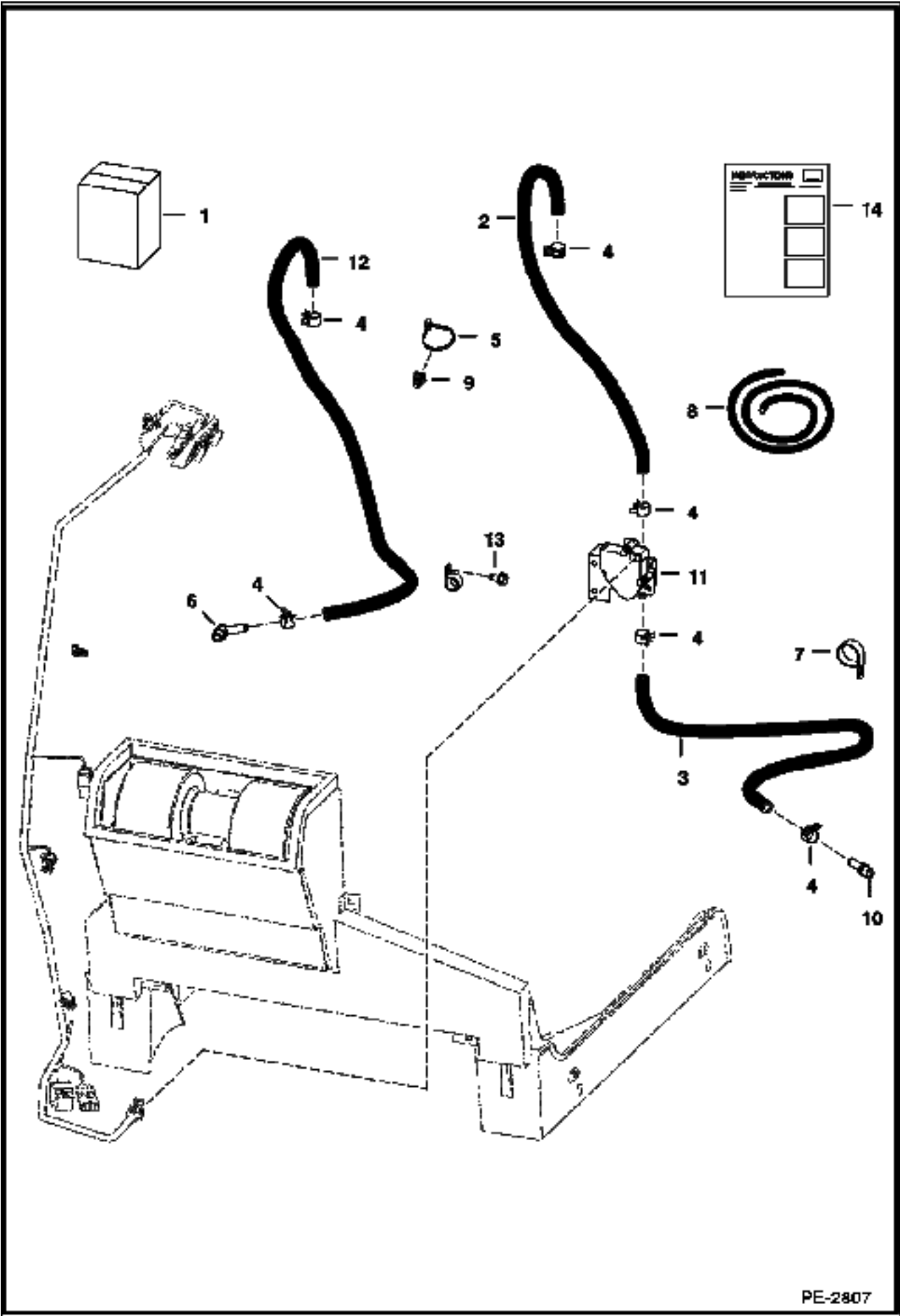
HEATER (Heater Coil Kit)



PE-1228

HEATER (Cont'd)
(Heater Coil Kit)

Ref No	Part Number	Description	Remarks	Serial Number	Qty
1	6727786	KIT	heater coil - W/Ref. 2-9		1
2		HEATER COIL	NSS - Order Ref. 1		1
3	6677504	COVER	.279"(7,1mm) thickness		1
4		INSULATION	NAP - 6"(152.4mm) long - Order Ref. 5		1
5	6676538	INSULATION	bulk - Sold Per Foot		x
6	6676606	SPACER			1
7	6726621	SCREW			2
8	6676653	SCREW			1
9	6901120	INSTRUCTIONS			1

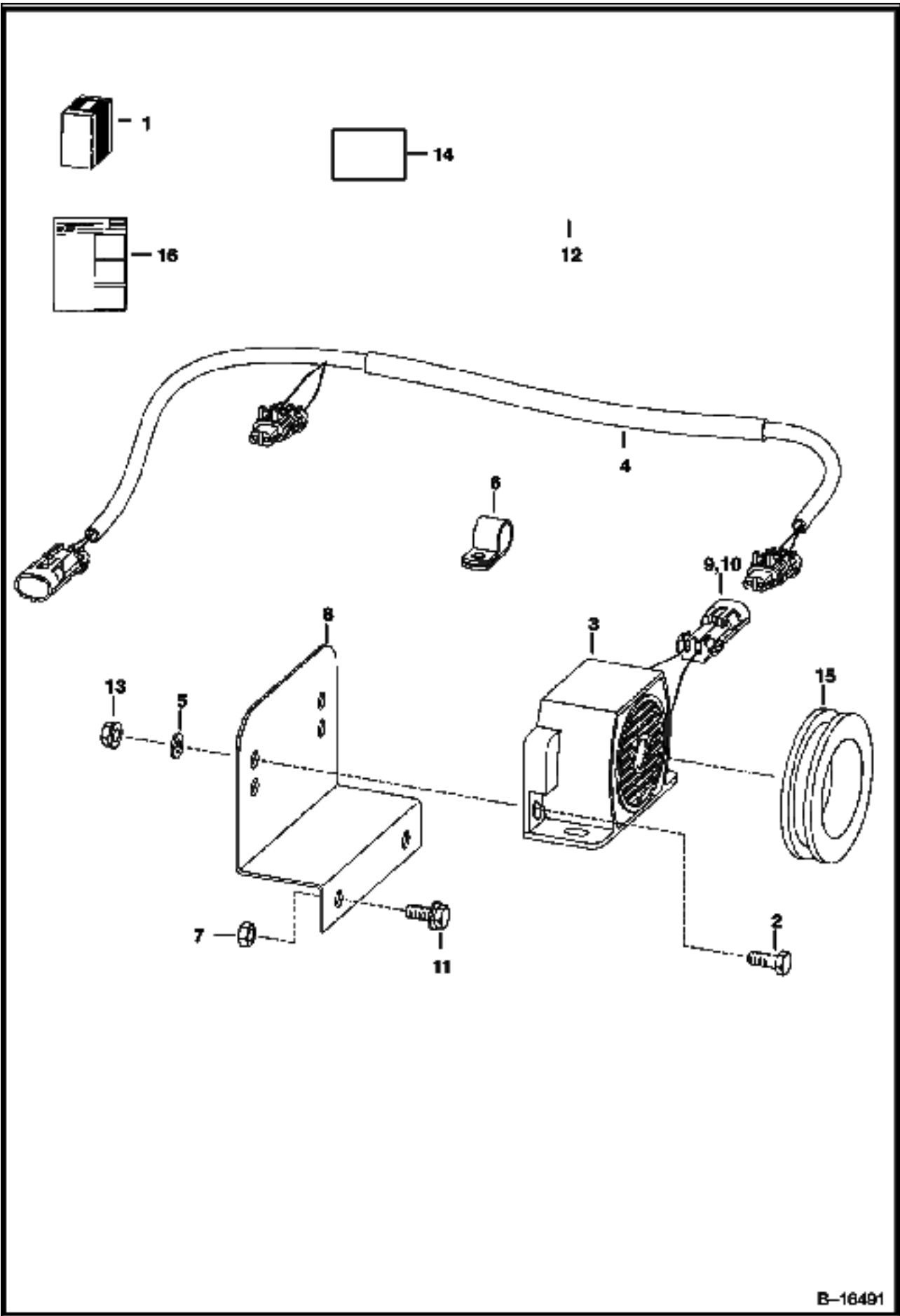


PE-2807

HEATER (Cont'd) (Heater Plumbing Kit)

Ref No	Part Number	Description	Remarks	Serial Number	Qty
1	7116900	KIT	See Illustration HEATER & A/C/ PE2805 REF. 2 - 10 - for heater kit		1
2		HOSE	NAP - 25" (635 mm) long - order Ref. 8		1
3		HOSE	NAP - 65" (1651 mm) long - order Ref. 8		1
4	5HM00020B	CLAMP			8
5	6624289	STA STRAP			8
6	7113208	HOSE			1
7	7113209	HOSE			1
8	6565977	HOSE	bulk - sold per foot		x
9	6678666	TREE MOUNT	tree		2
10	6731084	ADAPTER			2
11		VALVE	See Illustration HEATER & A/C/ PE2805 NOT IN KIT		1
12	6732023	CONNECTOR			2
13	6904255	INSTRUCTIONS	Not in Kit - part of heater kit		1

HORN KIT

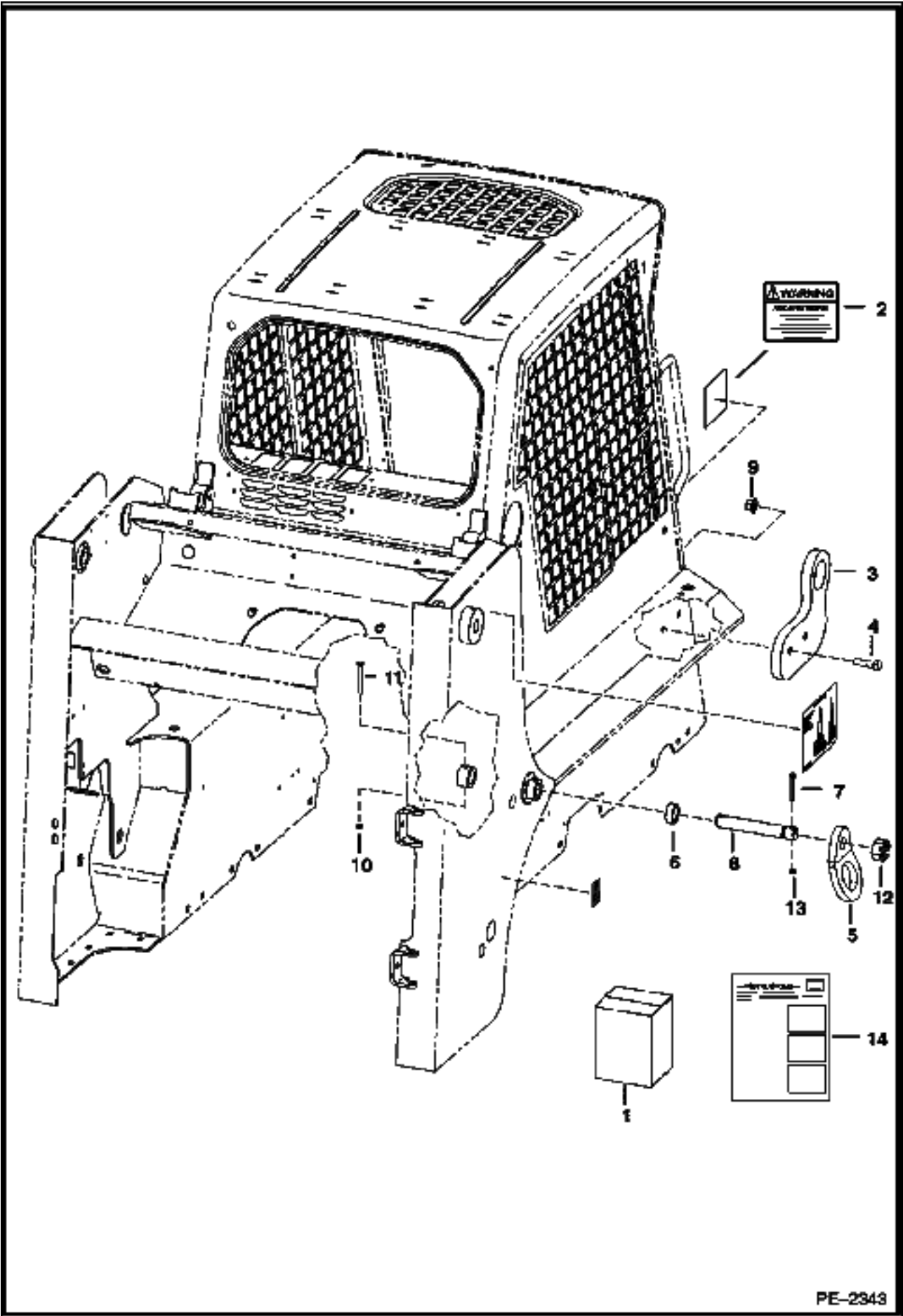


B-16491

HORN KIT (Cont'd)

Ref No	Part Number	Description	Remarks	Serial Number	Qty
1	6719043	HORN KIT	Ref. 2 - 16		1
2	17C000410B	BOLT			2
3	6675099	ALARM			1
4	6719151	HARNESS	113"(2870,2 mm) long		1
5	25E000013B	WASHER			1
6	30H000023B	CLAMP			1
7	83D000005B	NUT			2
8	6733970	MOUNT			1
9	6641180	LOCK	2 - pin		2
9	6640700	LOCK	3 - pin		2
10	6641179	CONNECTOR	2 - pin		2
10	6640699	CONNECTOR	3 - pin		2
11	35C000512B	BOLT			2
12	6680414	HANDLE ASSY.			1
12	6640690	PIN			5
12	6641176	SEAL	SEAL		5
13	83D000004B	NUT			2
14	6703727	DECAL			1
15	6577545	GROMMET			1
16	6900913	INSTRUCTIONS			1

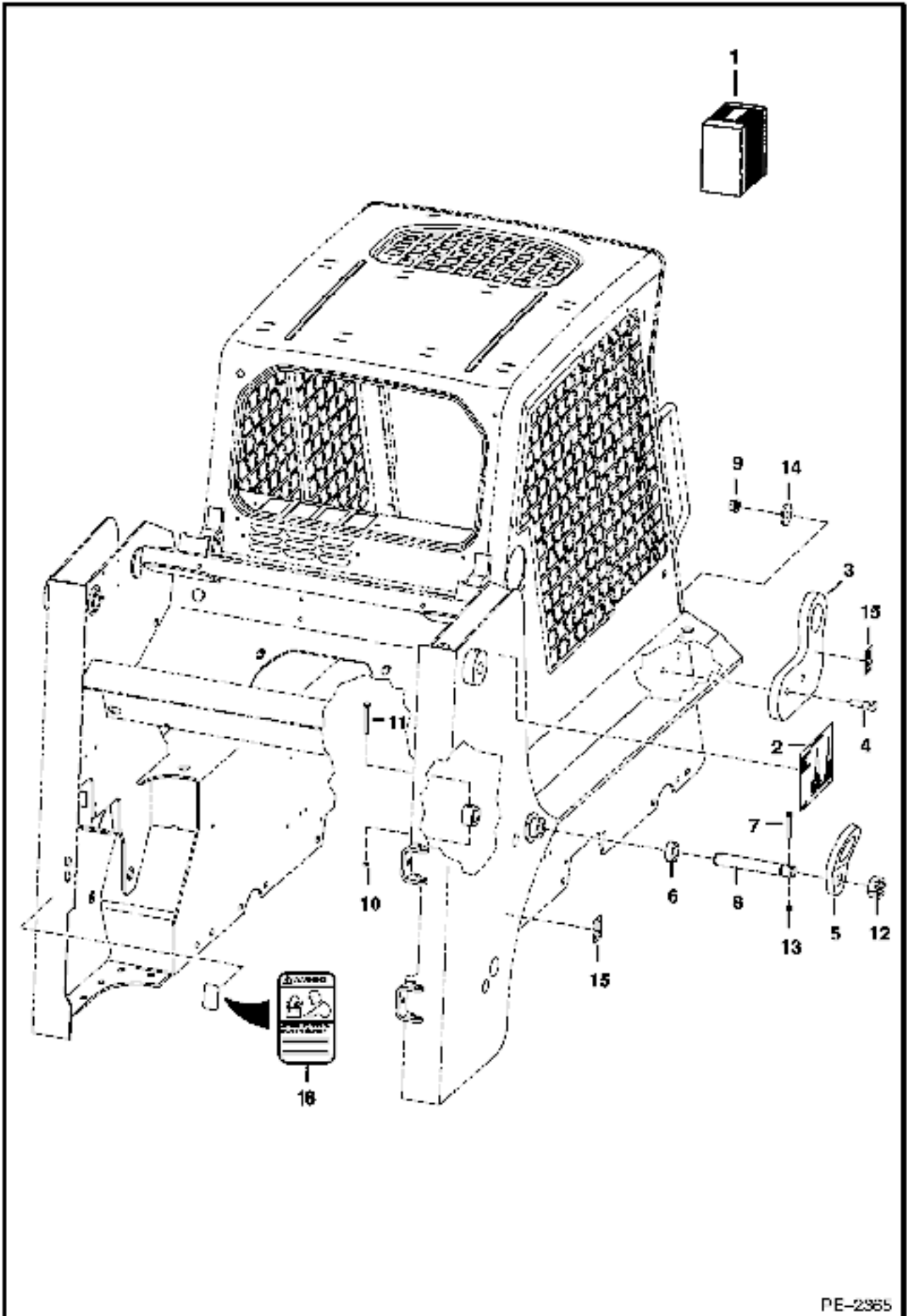
LIFT KIT (Four Point - .75" Thick Lift Eye)



PE-2343

LIFT KIT (Cont'd)
(Four Point - .75" Thick Lift Eye)

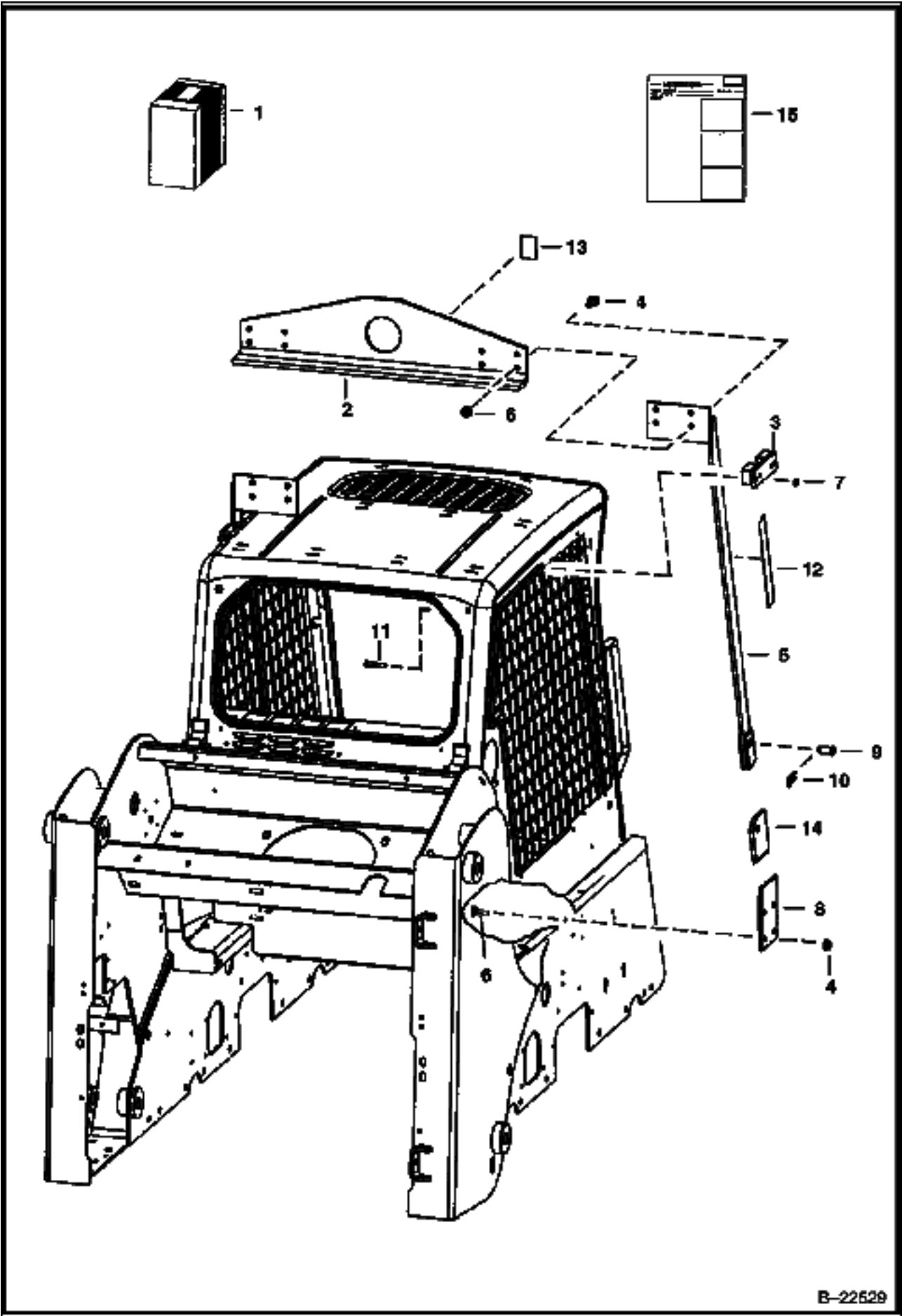
Ref No	Part Number	Description	Remarks	Serial Number	Qty
1	7104743	LIFT KIT	Ref. 2 - 14		1
2	6726423	DECAL			2
3	6719490	LIFT EYE	front		2
4	17C001028B	BOLT			4
5	6706825	LIFT EYE	rear		2
6	6719906	SPACER			2
7	17C000540B	BOLT			2
8	7102102	PIN			2
9	83D000010B	NUT			4
10	85D000006B	NUT	Not in Kit		2
11	17C000640B	BOLT	Not in Kit		2
12	4D000020B	NUT			2
13	87D000005B	NUT			2
14	6903150	INSTRUCTIONS			1



PE-2865

**LIFT KIT (Cont'd)
(Four Point) (Army)**

Ref No	Part Number	Description	Remarks	Serial Number	Qty
1		KIT	NAP - Factory Option Only		1
2	6735790	DECAL			2
3	6735802	LIFT EYE	Front		2
4	17C001036B	BOLT			4
5	6735890	LIFT EYE	Rear		2
6	6719906	SPACER	.70 in. Thick - 763		2
7	17C000540B	BOLT			2
8	6706807	PIN			2
9	83D000010B	NUT			4
10	85D000006B	NUT			2
11	17C000640B	BOLT			2
12	4D000020B	NUT			2
13	87D000005B	NUT			2
14	6704978	WASHER			4
15	6533898	DECAL	Hook		4
16	7104803	DECAL			1

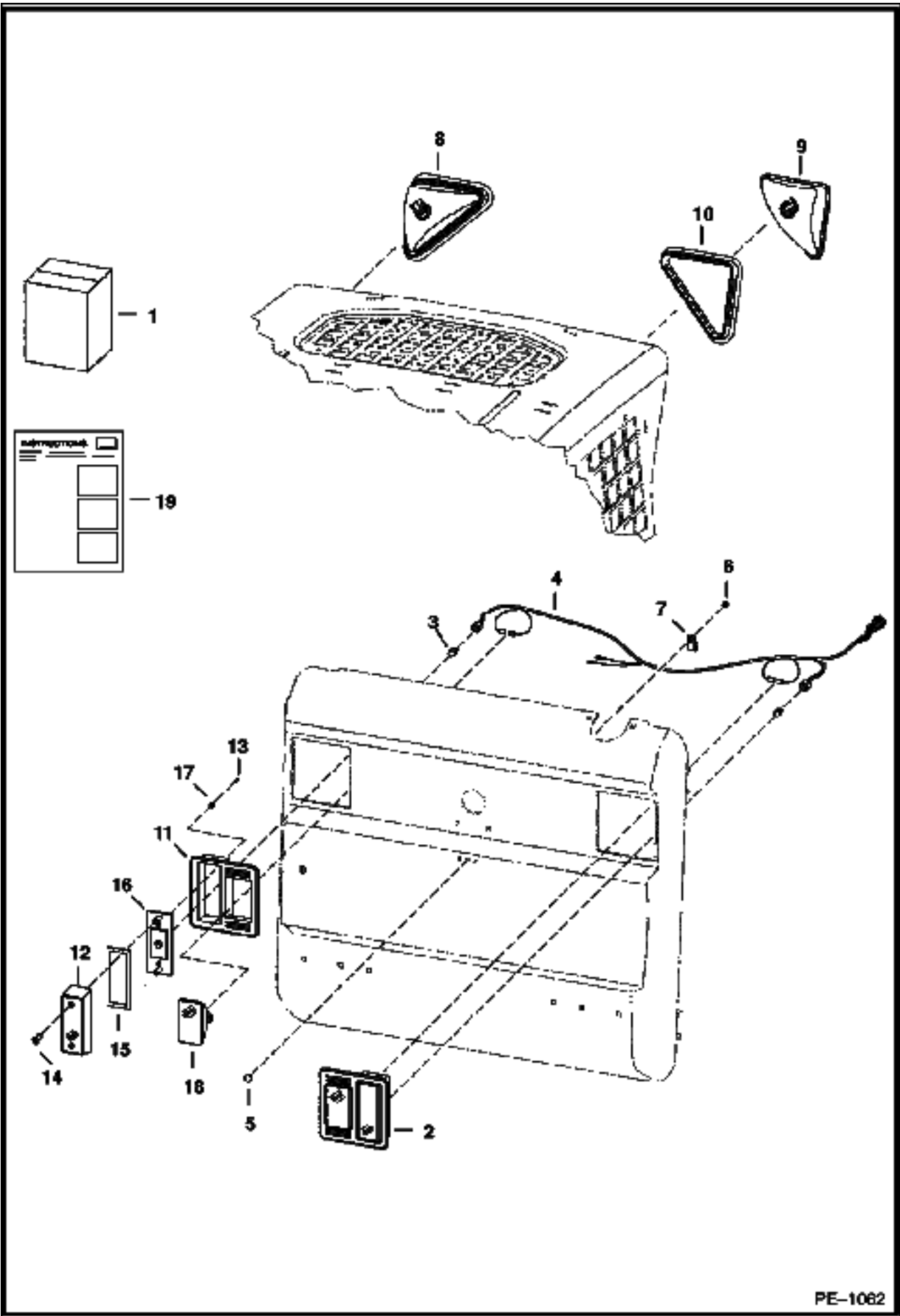


B-22529

LIFT KIT (Cont'd)
(Single Point)

Ref No	Part Number	Description	Remarks	Serial Number	Qty
1	6719323	KIT	Ref. 2 - 15		1
2	6567827	ANGLE			1
3	6719184	MOUNT	L.H.		1
3	6719185	MOUNT	R.H.		1
4	31C000824B	BOLT			16
5	6725299	BRACKET	R.H.		1
5	6725300	BRACKET	L.H.		1
6	57D000008B	NUT			12
7	57D000006B	NUT			8
8	6704149	BRACKET			2
9	6567838	PIN			2
10	1320075	COTTER PIN			2
11	17C000632B	BOLT			8
12	6704786	DECAL	warning		2
13	6533898	DECAL	hook		1
14	6725297	BRACKET			2
15	6900888	INSTRUCTIONS			1

LIGHT KIT

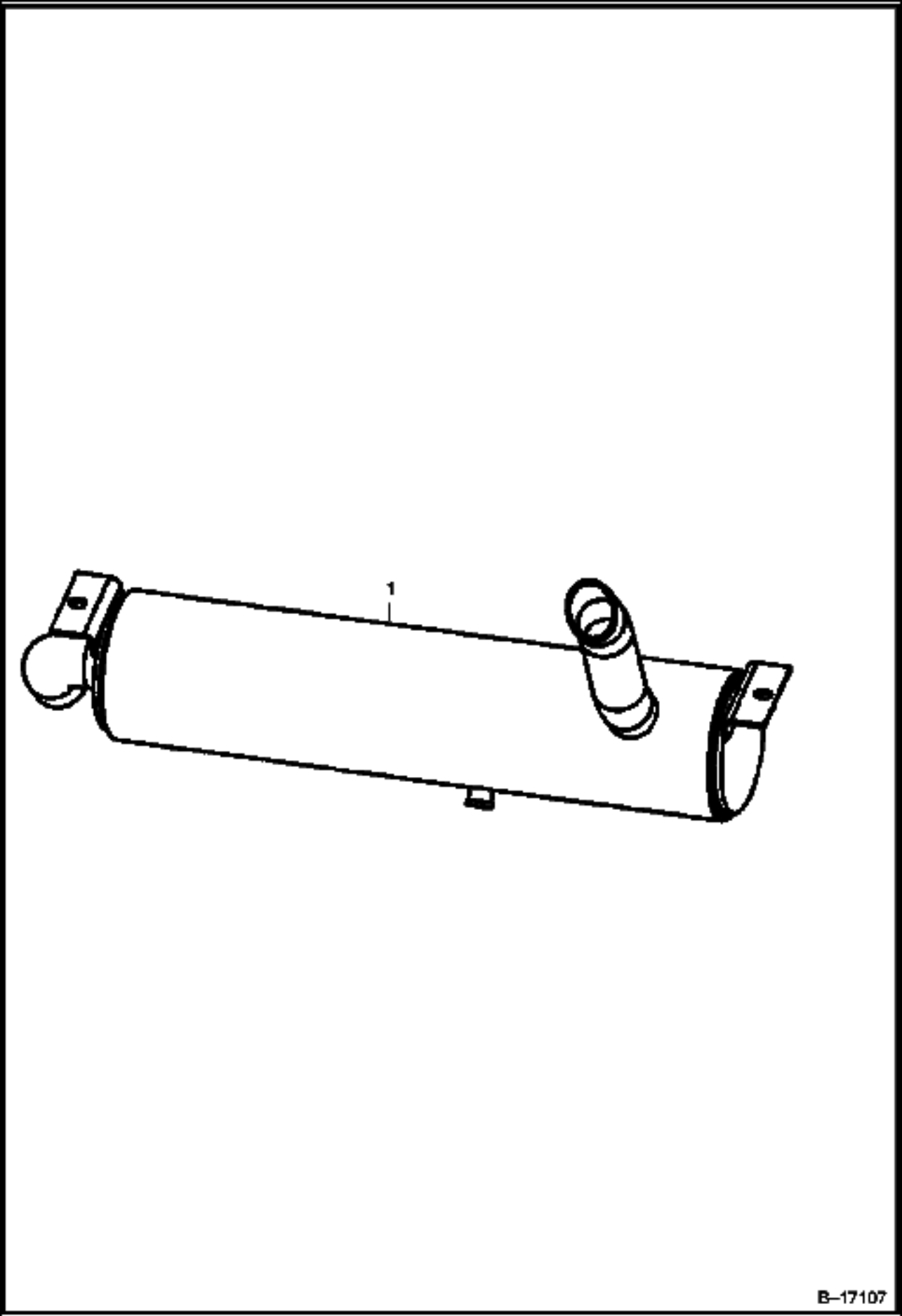


PE-1062

LIGHT KIT (Cont'd)

Ref No	Part Number	Description	Remarks	Serial Number	Qty
1		KIT	NAP - Order components		1
2	6670284	LIGHT ASSY	rear		2
3	6649481	BULB			2
4	7109403	HARNESS	domestic		1
4	7109404	HARNESS	European		1
5	37C000512B	BOLT			1
6	85D000005B	NUT			1
7	30H000042B	CLAMP			1
8		LIGHT ASSY	NAP - R.H. - Ref. 9 & 10		1
8		LIGHT ASSY	NAP - L.H. - Ref. 9 & 10		1
9	6674401	HOUSING	R.H.		2
9	6675336	BULB	55 watt		2
9	6674400	HOUSING	L.H.		2
9	6675336	BULB	55 watt		2
10	6674402	MOUNT			2
11	6672279	MOUNT	rubber		2
12	6672276	LENS	red		2
13	6672274	SCREW			4
14	6672273	SCREW			2
15	6672275	GASKET			2
16	6672277	BRACKET			2
17	6672272	WASHER			4
18	6661353	LIGHT ASSY	W/bulb - white		2
18	898731B	BULB			2
19		INSTRUCTIONS	NAP		1

MUFFLER/PURIFIER KIT

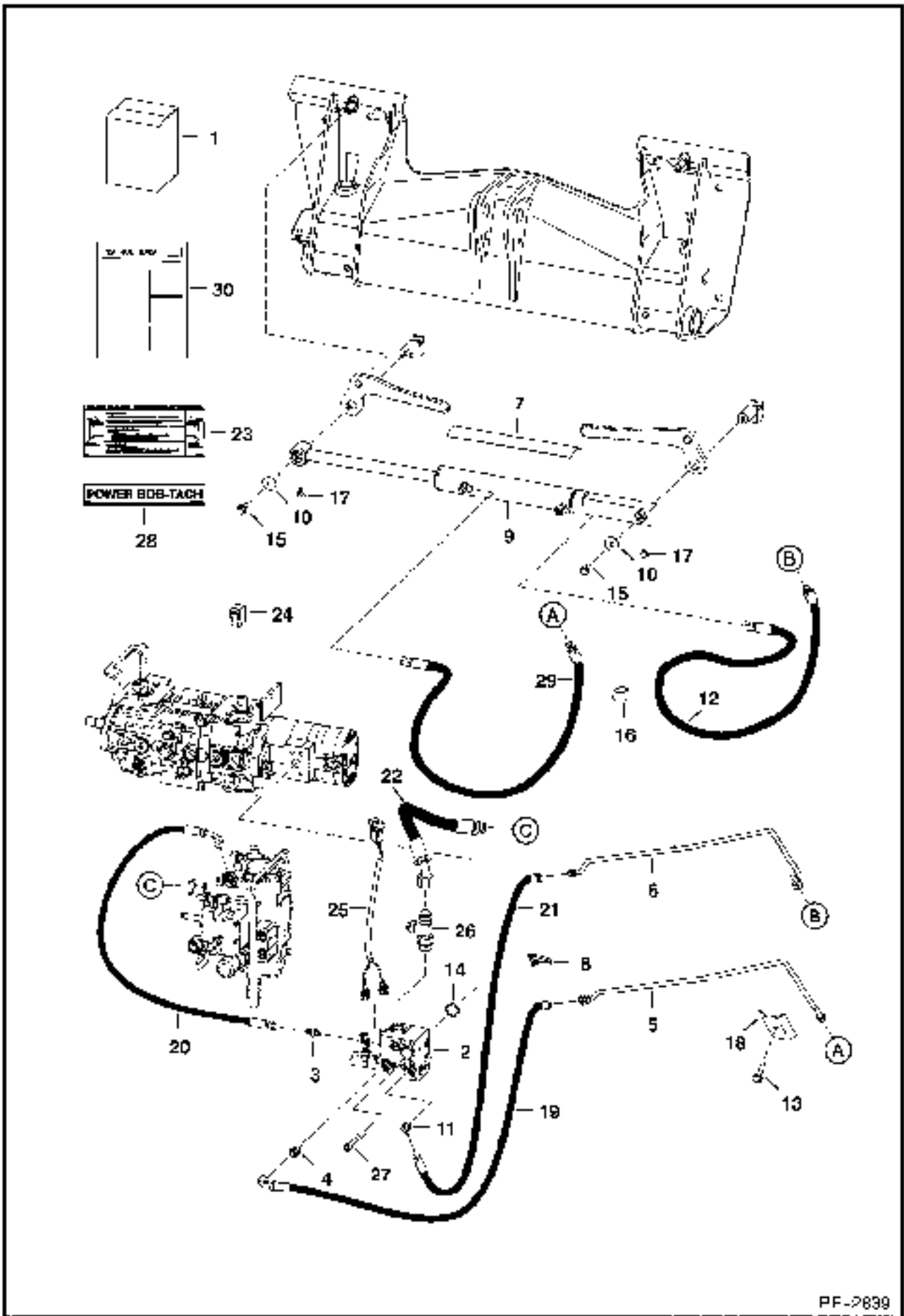


B-17107

MUFFLER/PURIFIER KIT (Cont'd)

Ref No	Part Number	Description	Remarks	Serial Number	Qty
1	7103790	MUFFLER			1

POWER BOB-TACH KIT

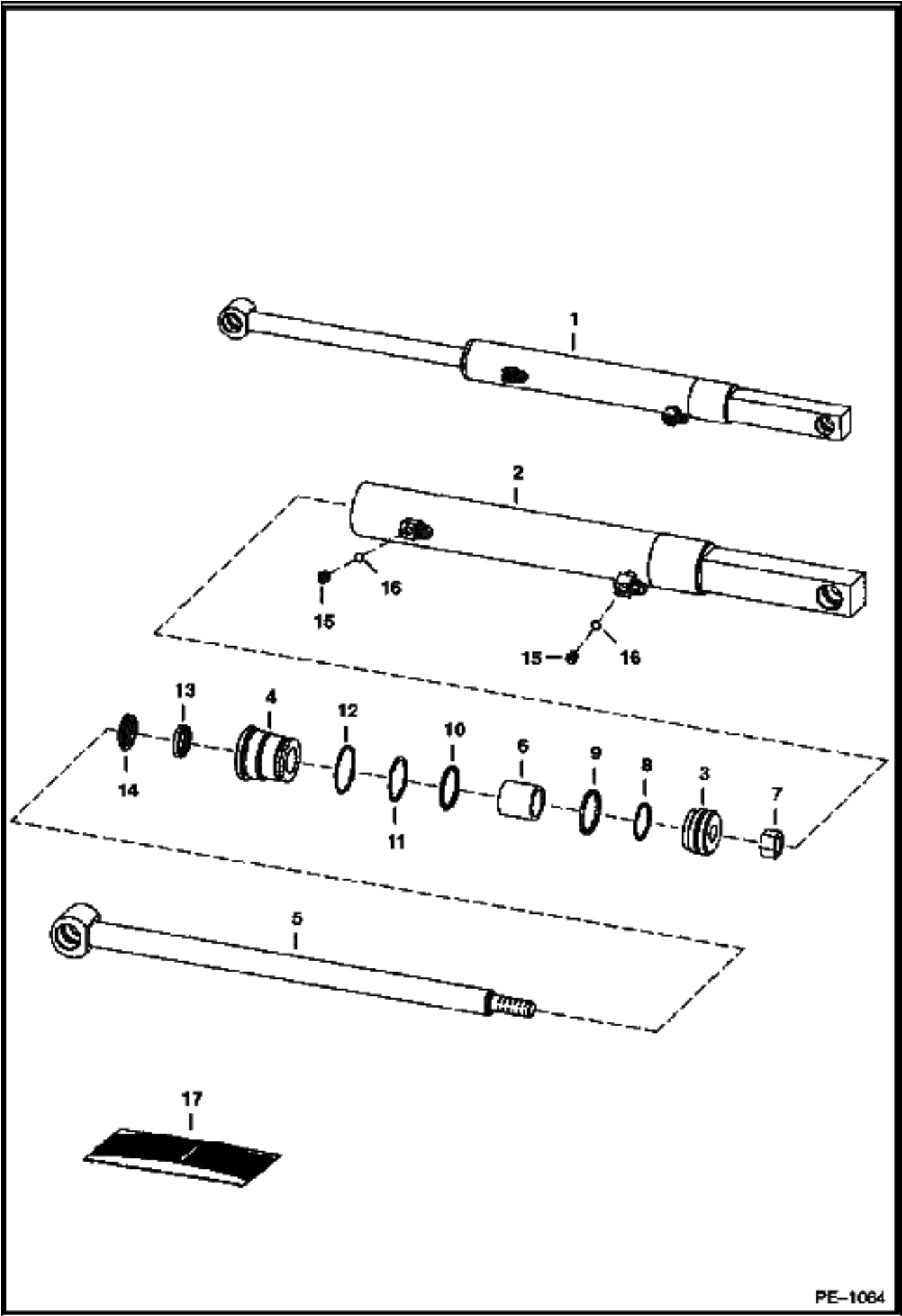


PF-2839

POWER BOB-TACH KIT (Cont'd)

Ref No	Part Number	Description	Remarks	Serial Number	Qty
1	7107387	KIT, POWER BOB-TACH	Ref. 2-34 - If loader is not equipped W/ heater, air conditioning, selectable joystick controls, advanced control system, rotating beacon, non-power port plug-in strobe lights, and/or non-power port plug-in 4-way flashers, also order 7116260 deluxe harness		1
2		VALVE	See Illustration POWER BOB-TACH/ MS1835R		1
3	15KB00404B	ADAPTER			1
4	15KB00606B	ADAPTER			1
5	6737172	TUBE			1
6	6737173	TUBE			1
7	6555341	SAFETY TREAD			1
8	6624289	STA STRAP			5
9		CYLINDER	See Illustration POWER BOB-TACH/ PE1064		1
10	619021B	WASHER			2
11	18KB00404B	COVER			1
12	7101738	HOSE			1
13	84G003724B	BOLT			1
14	55K000214B	O-RING			1
15	35C000616B	BOLT			2
16	31H000042B	CLIP			1
17	12H000025B	GREASE ZERK			2
18	6719884	BRACKET			1
19	6806987	HOSE			1
20	7114318	HOSE	9.50" (4935mm)		1
21	6731082	HOSE			1
22	7115849	HOSE	45.4" (1153.2mm)		1
23	6725907	DECAL			1
24	6676732	SWITCH	vertical		1
25	7112290	HARNESS			1
26	21KB01212B	FITTING			1
27	73G000656B	BOLT			4
28	6719888	DECAL	power Bob-tach		1
29	6725198	HOSE			1
30	6902815	INSTRUCTIONS			1

POWER BOB-TACH (Cylinder)

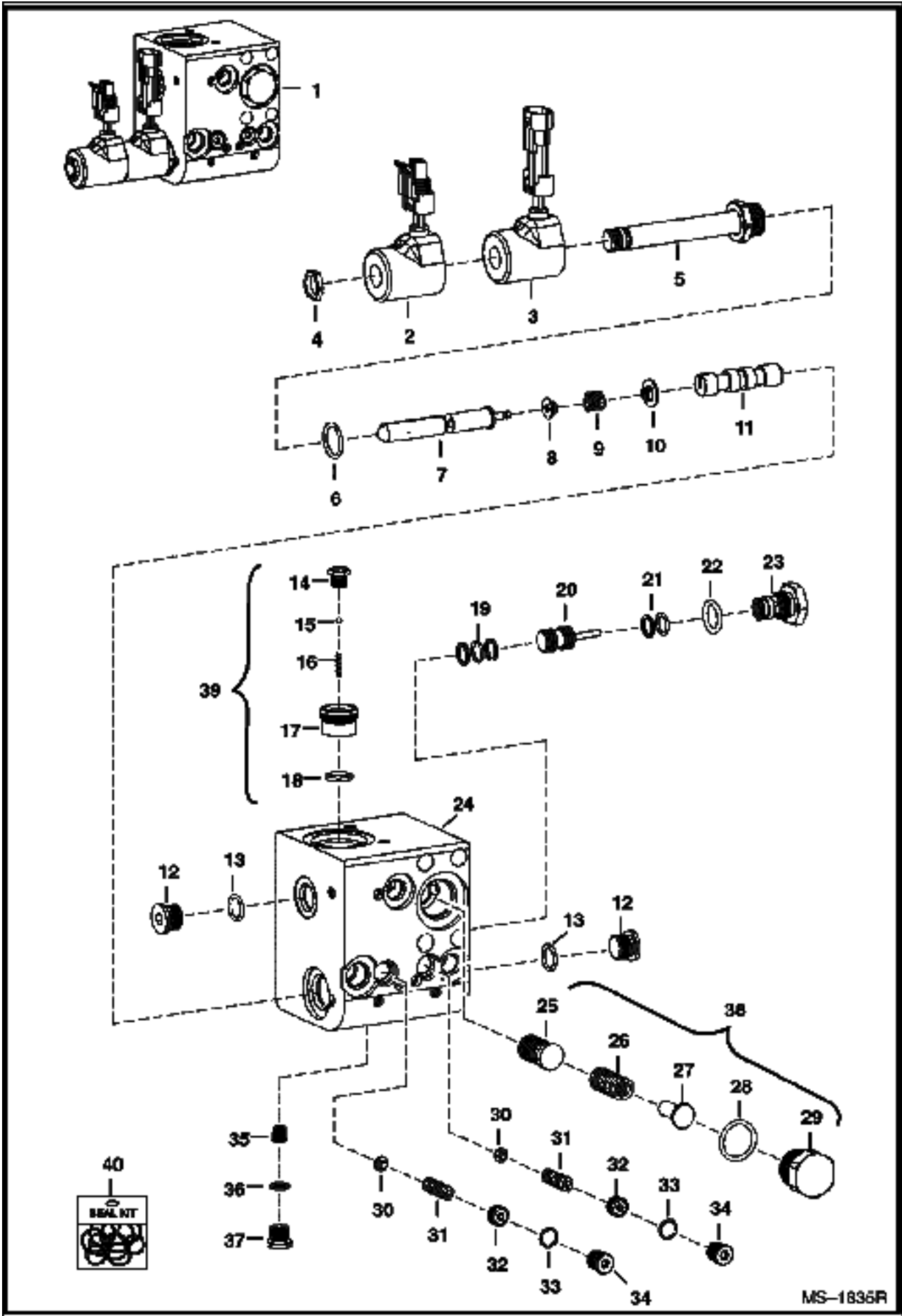


PE-1064

POWER BOB-TACH (Cont'd)
(Cylinder)

Ref No	Part Number	Description	Remarks	Serial Number	Qty
1	6810611	CYLINDER	Ref. 2-16		1
2	6810349	CASE	1.75" I.D.		1
3	6586543	PISTON			1
4	6586542	HEAD			1
5	6810612	ROD	18.6" (472mm) long - W/ .25" grease zerk hole		1
6	6810356	SPACER			1
7	92D000010B	NUT			1
8	54K030110B	O-RING			1
9	6532453	RING			1
10	54K040116B	O-RING			1
11	73K000222B	WASHER	back-up		1
12	58K000132B	O-RING			1
13	6667323	SEAL	rod		1
14	6666542	SEAL	wiper		1
15	6812170	PLUG	W/Ref. 16		2
16	79K000003B	O-RING			2
17	6803473	SEAL KIT	Ref. 7-14		1

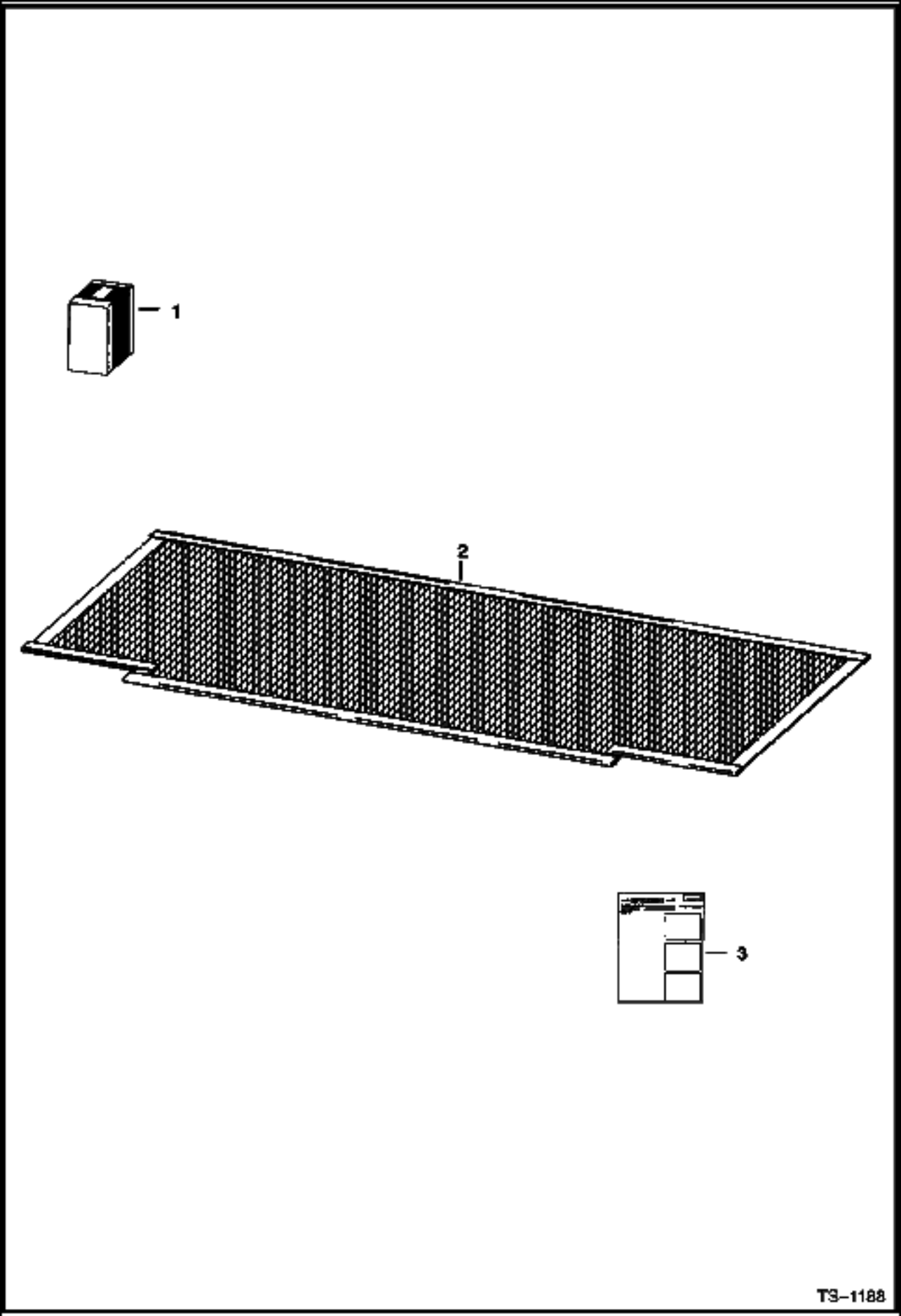
**POWER BOB-TACH
(Valve Assembly)**



POWER BOB-TACH (Cont'd)
(Valve Assembly)

Ref No	Part Number	Description	Remarks	Serial Number	Qty
1	6686949	VALVE			1
2	6684743	SOLENOID	W/male connector		1
3	6684744	SOLENOID	W/female connector		1
4	6684742	NUT			1
5		STEM	NSS		x
6	79K000008B	O-RING			x
7		STEM	NSS		x
8		RETAINER	NSS		x
9		SPRING	NSS		x
10		WASHER	NSS		x
11	6685540	PISTON			x
12	6685545	PLUG	W/ Ref. 13		x
13		O-RING	NSS		x
14		PLUG	NSS		x
15		BALL	NSS		x
16		SPRING	NSS		x
17		VALVE	NSS		x
18	6685542	O-RING			x
19		RINGS	NSS		x
20	6684745	PISTON			1
21		RINGS	NSS		x
22	79K000007B	O-RING			x
23	6684746	CHECK VALVE	W/Ref. 22		1
24		BLOCK	NSS		x
25		STEM	NSS		x
26		SPRING	NSS		x
27		POPPET	NSS		x
28	79K000010B	O-RING			x
29		PLUG	NSS		x
30		POPPET	NSS		x
31		SPRING	NSS		x
32		PLUG	NSS		x
33		O-RING	NSS		x
34		PLUG	NSS		x
35	6685541	POPPET			x
36		O-RING	NSS		x
37	6685546	PLUG			x
38	6685544	COMPENSATOR	Ref. 25-29		1
39	6685543	CHECK VALVE	Assy. - Ref. 14-18		1
40	6684747	SEAL KIT	complete		1

RADIATOR SCREEN KIT

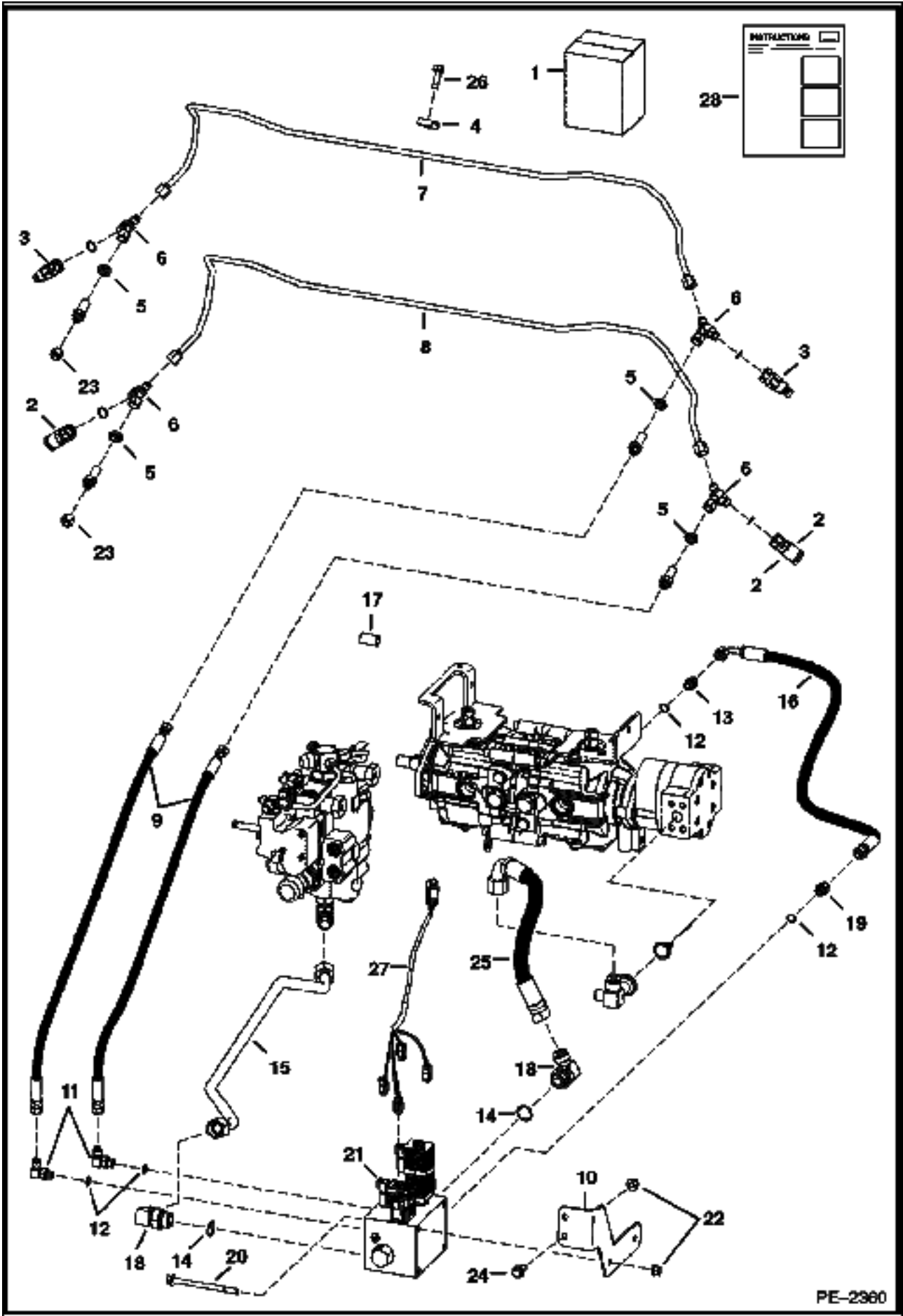


TS-1188

RADIATOR SCREEN KIT (Cont'd)

Ref No	Part Number	Description	Remarks	Serial Number	Qty
1	6706939	KIT	Ref. 2 & 3		1
2	6706285	SCREEN			1
3	6722861	INSTRUCTIONS			1

REAR AUXILIARY KIT

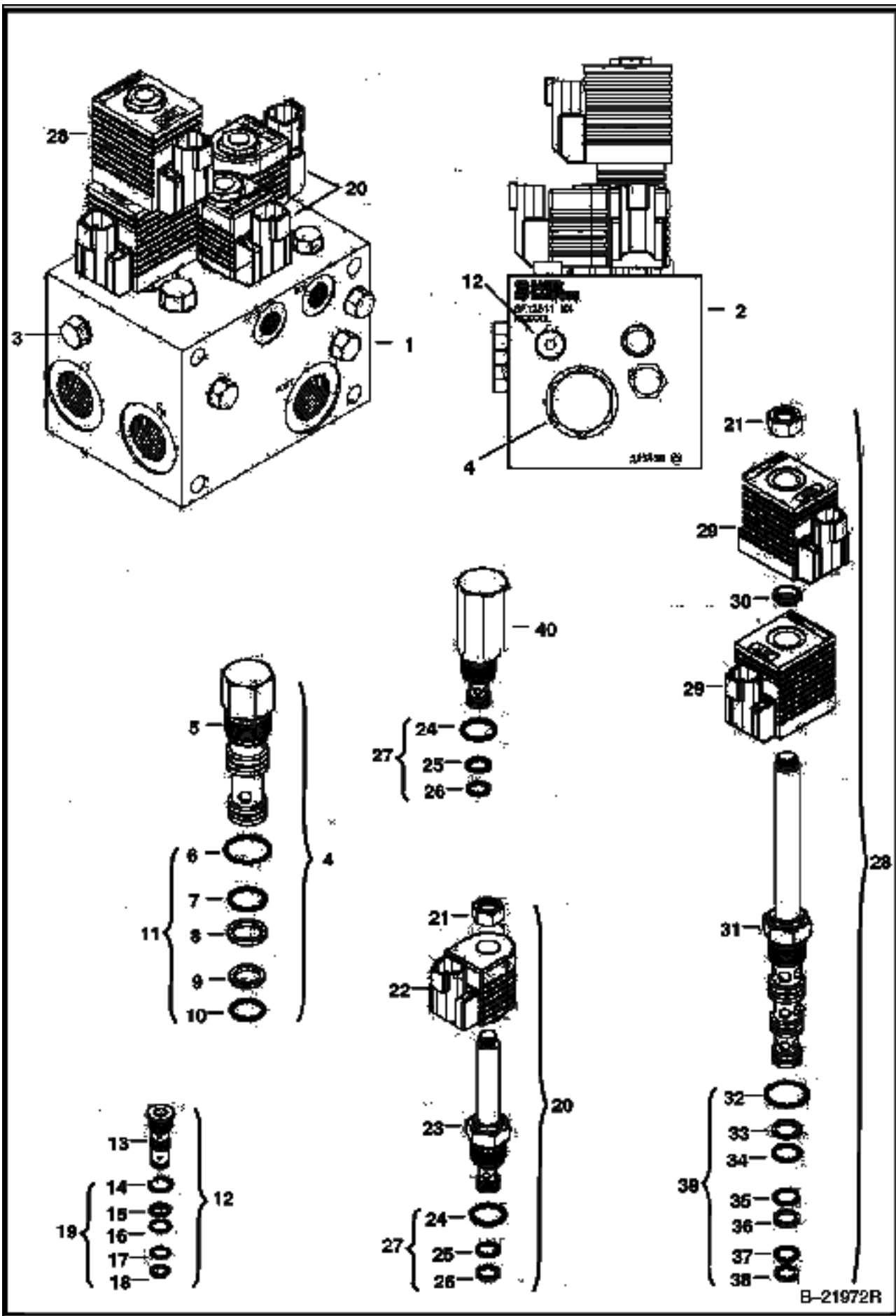


PE-2360

REAR AUXILIARY KIT (Cont'd)

Ref No	Part Number	Description	Remarks	Serial Number	Qty
1	6736147	KIT, REAR AUX			1
2	6667803	COUPLER			2
3	6667804	COUPLER			2
3	6669657	SEAL KIT			x
4	6500989	CLAMP			4
5	61E000004B	NUT			4
6	6706220	TEE			4
7	7101712	TUBE			1
8	7101713	TUBE			1
9	7101711	HOSE			2
10	7101703	BRACKET			1
11	17KB00606B	ELBOW	W/Ref. 12		2
12	79K000006B	O-RING			x
13	15KB00612B	ADAPTER	W/Ref. 12		1
14	79K000012B	O-RING			x
15	7101715	TUBE			1
16	7101719	HOSE			1
17	7101893	SPACER			1
18	17KB01212B	ELBOW	W/Ref. 14		2
19	15KB00606B	ADAPTER	W/Ref. 12		1
20	35C000680B	BOLT			2
21		VALVE	See Illustration REAR AUXILIARY VALVE/ B21972R		1
22	83D000006B	NUT			4
23	63E000004B	PLUG			2
24	35C000616B	BOLT			1
25	7101714	HOSE			1
26	84G003720B	BOLT			1
27	7102338	HARNESS	jumper		1
28	51E000404B	ADAPTER			4
28	6902816	INSTRUCTIONS			1

REAR AUXILIARY VALVE

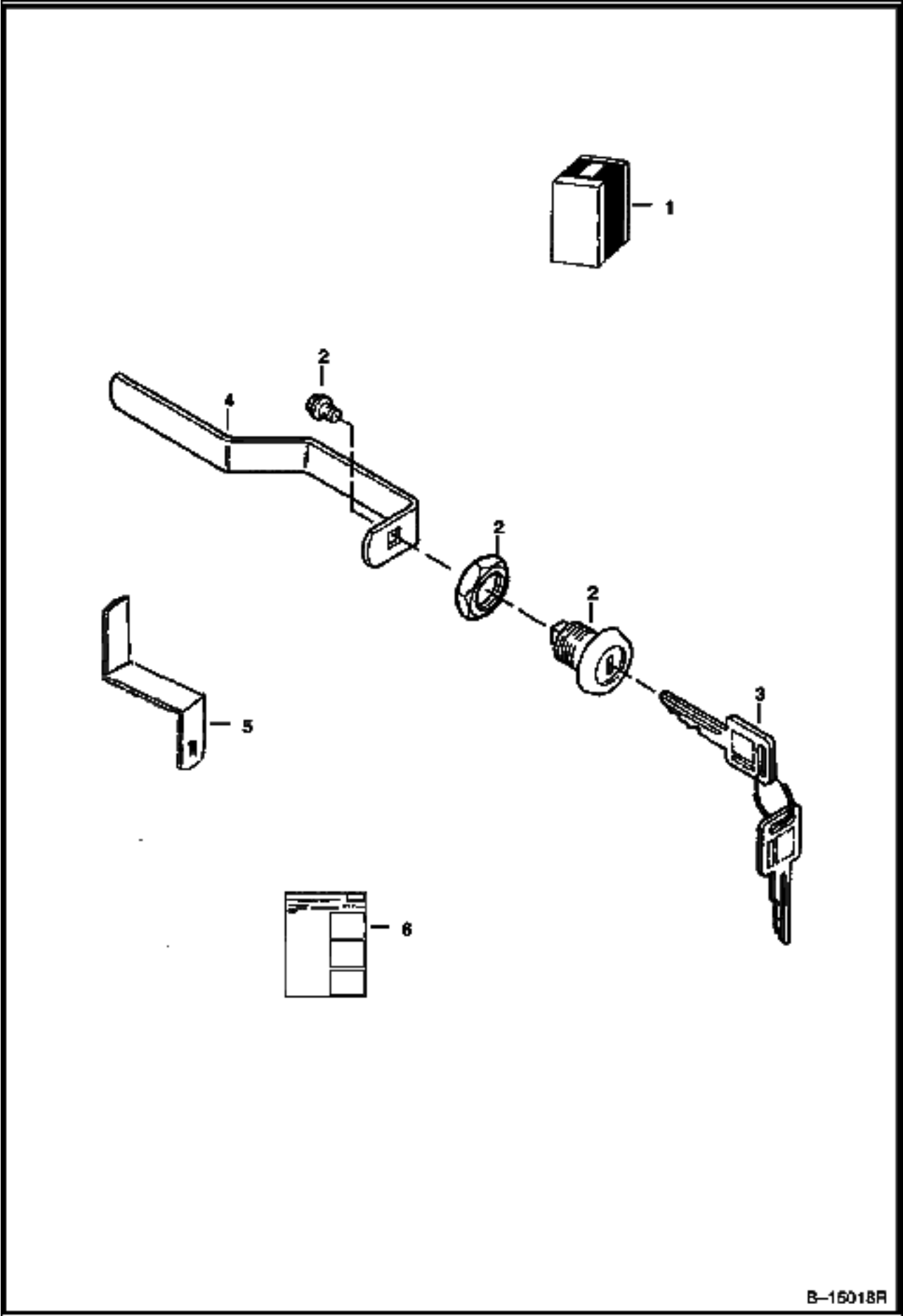


B-21972R

REAR AUXILIARY VALVE (Cont'd)

Ref No	Part Number	Description	Remarks	Serial Number	Qty
1	6685624	CONTROL VALVE			1
2		BLOCK	NSS		1
3		PLUG			x
4	6684044	VALVE	assy. - Ref. 5-10 - differential sensing		1
5		VALVE	NSS - Order Ref. 4		1
6	6684046	O-RING			1
7	6684048	O-RING			1
8	6684047	BACK-UP RING			1
9	6684050	BACK-UP RING			1
10	6684049	O-RING			1
11	6684045	SEAL KIT	Ref. 6-10		1
12	6684061	VALVE	shuttle - Ref. 13-18		1
13		VALVE	NSS - Order Ref. 12		1
14	6684063	O-RING			1
15	6684064	BACK-UP RING			1
16	6684065	O-RING			1
17	6684066	O-RING			1
18	6684067	BACK-UP RING			1
19	6684062	SEAL KIT	Ref. 14-18		1
20	6685061	VALVE	solenoid - Ref. 21-26		2
21	6684060	NUT			2
22	6684073	COIL	12 volt		2
23		VALVE	NSS - Order Ref. 20		2
24	6684070	O-RING			2
25	6684071	O-RING			2
26	6684072	BACK-UP RING			2
27	6684069	SEAL KIT	Ref. 24-26		2
28	6684051	VALVE	solenoid - Ref. 21 & 29-39		1
29	6684058	COIL			2
30	6684059	SPACER			1
31		VALVE	NSS - Order Ref. 28		1
32	6681489	O-RING			1
33	6684053	BACK-UP RING			1
34	6684054	O-RING			1
35	6684056	O-RING			1
36	6684055	BACK-UP RING			1
37	6681487	O-RING			1
38	6684057	BACK-UP RING			1
39	6684052	SEAL KIT	Ref. 32-38		1
40	6685328	RELIEF VALVE	W/Ref. 24-26		1

REAR DOOR LOCK

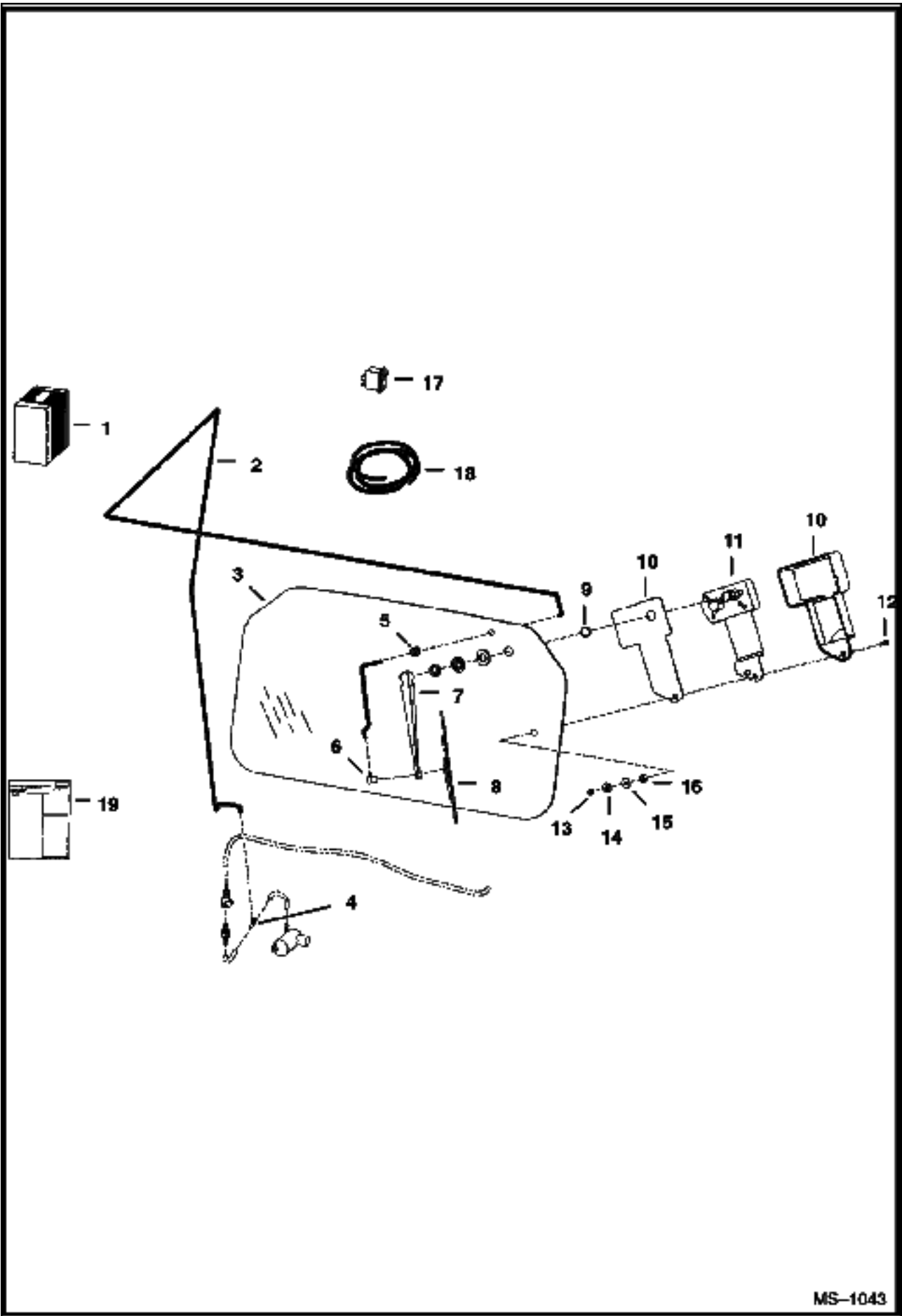


B-15018R

REAR DOOR LOCK (Cont'd)

Ref No	Part Number	Description	Remarks	Serial Number	Qty
1	6732001	KIT	lock - Ref. 2-6		1
2	6670726	LOCK			1
3	6709527	KEY	ignition		1
4	6714037	LATCH	Use W/6711524 Rear Door		1
5	6729688	LATCH	Use W/6729991 Rear Door		1
6	6901656	INSTRUCTIONS			1

REAR WIPER

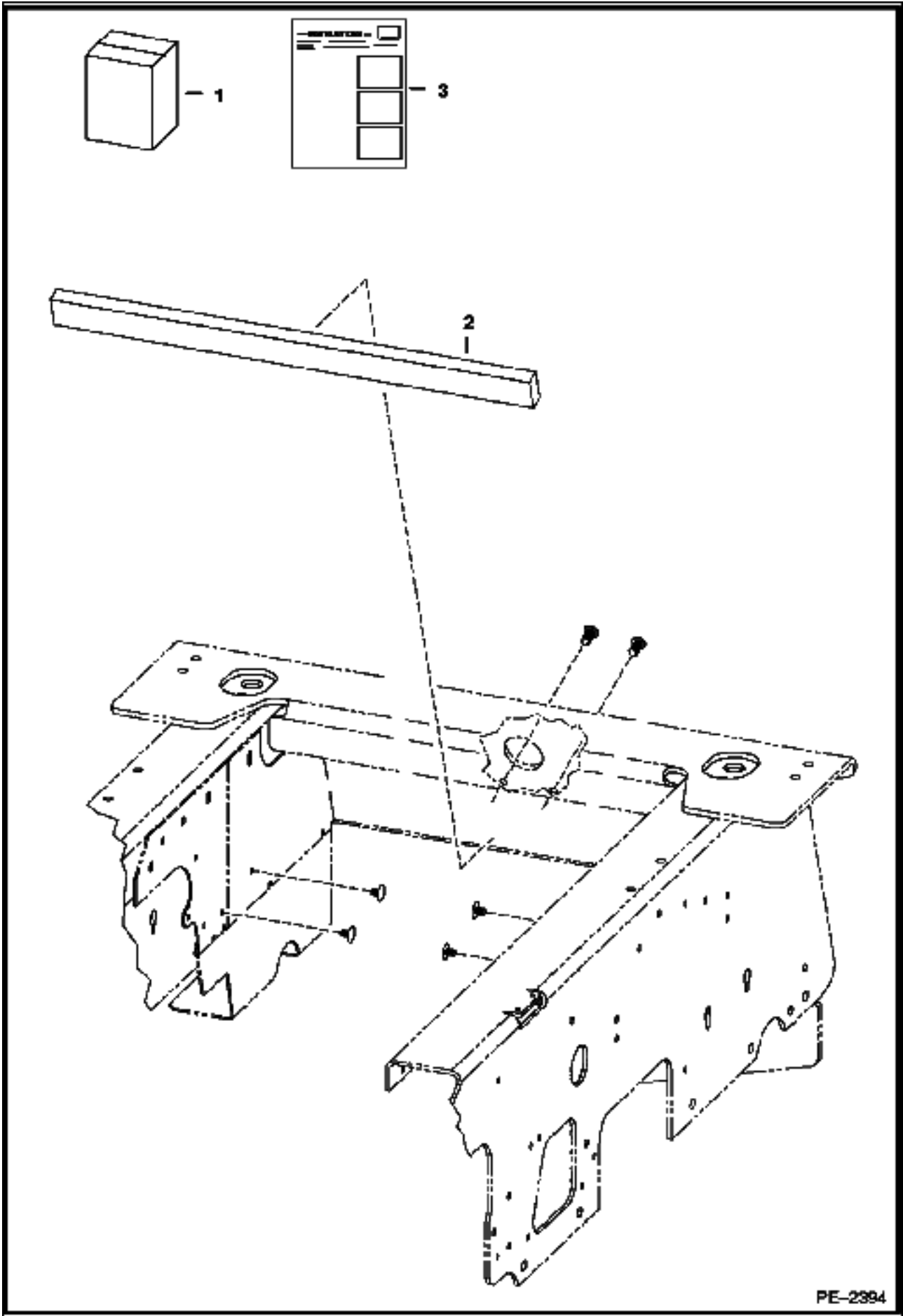


MS-1043

REAR WIPER (Cont'd)

Ref No	Part Number	Description	Remarks	Serial Number	Qty
1	6726655	KIT	rear wiper		1
2		HOSE	NAP - 96" (2438,4 mm) long - Order Ref. 18		1
3	6719317	WINDOW			1
4	6676000	TEE			1
5	6557493	GROMMET			1
6	6676028	NOZZLE			1
7	6676001	ARM			1
8	6676002	BLADE			1
9	6667201	SPACER	nylon		1
10	6664097	COVER	wiper		1
11	6665602	MOTOR			1
12	6664566	BOLT			1
13	6664103	NUT			1
14	6664065	WASHER	nylon		1
15	6801059	WASHER	neoprene		1
16	6664085	BUSHING	nylon		1
17	6675999	SWITCH			1
18	6676003	HOSE	bulk - Sold Per Foot		x
19	6901061	INSTRUCTIONS			1

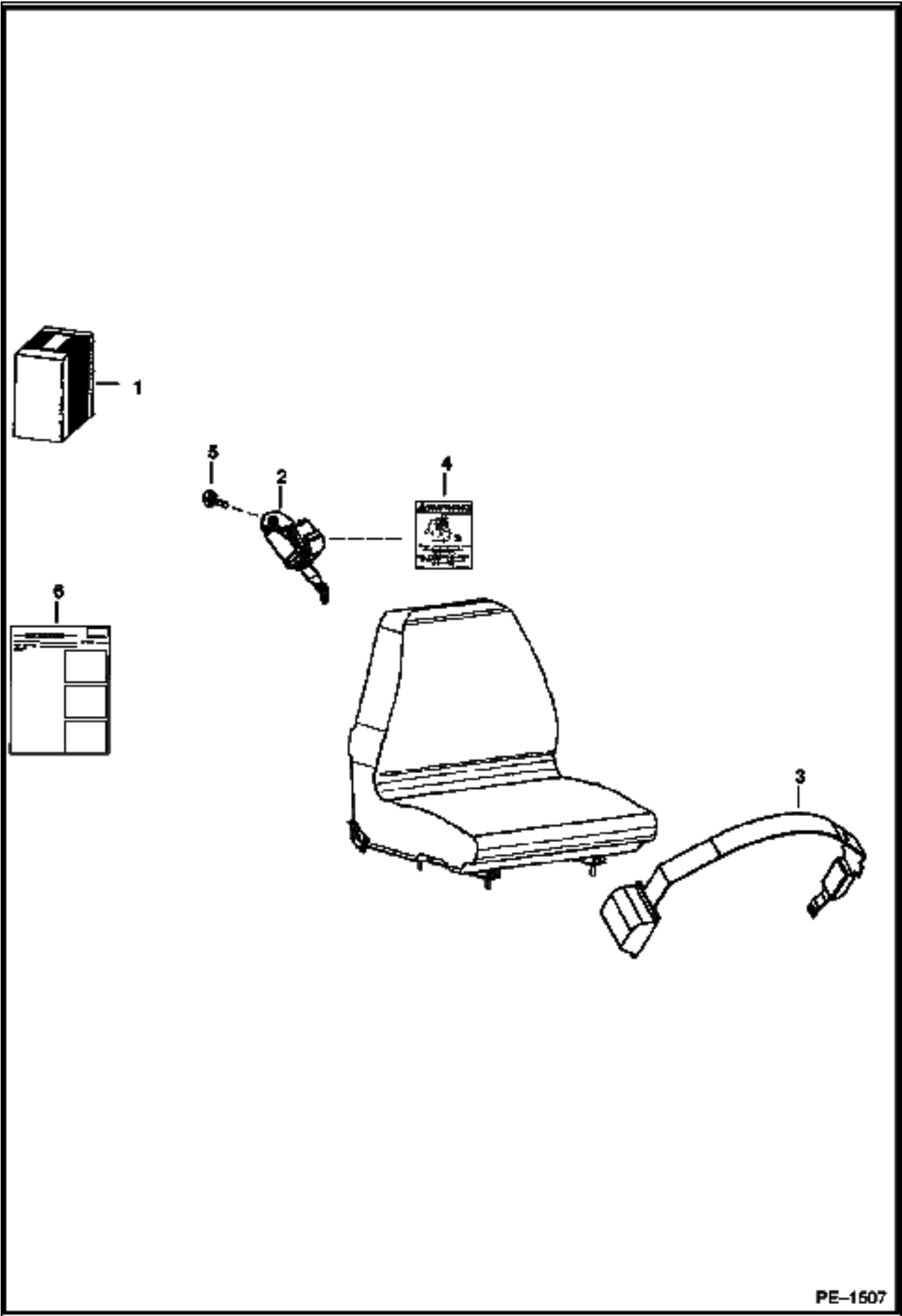
SEAL ENCLOSURE KIT



PE-2394

SEAL ENCLOSURE KIT (Cont'd)

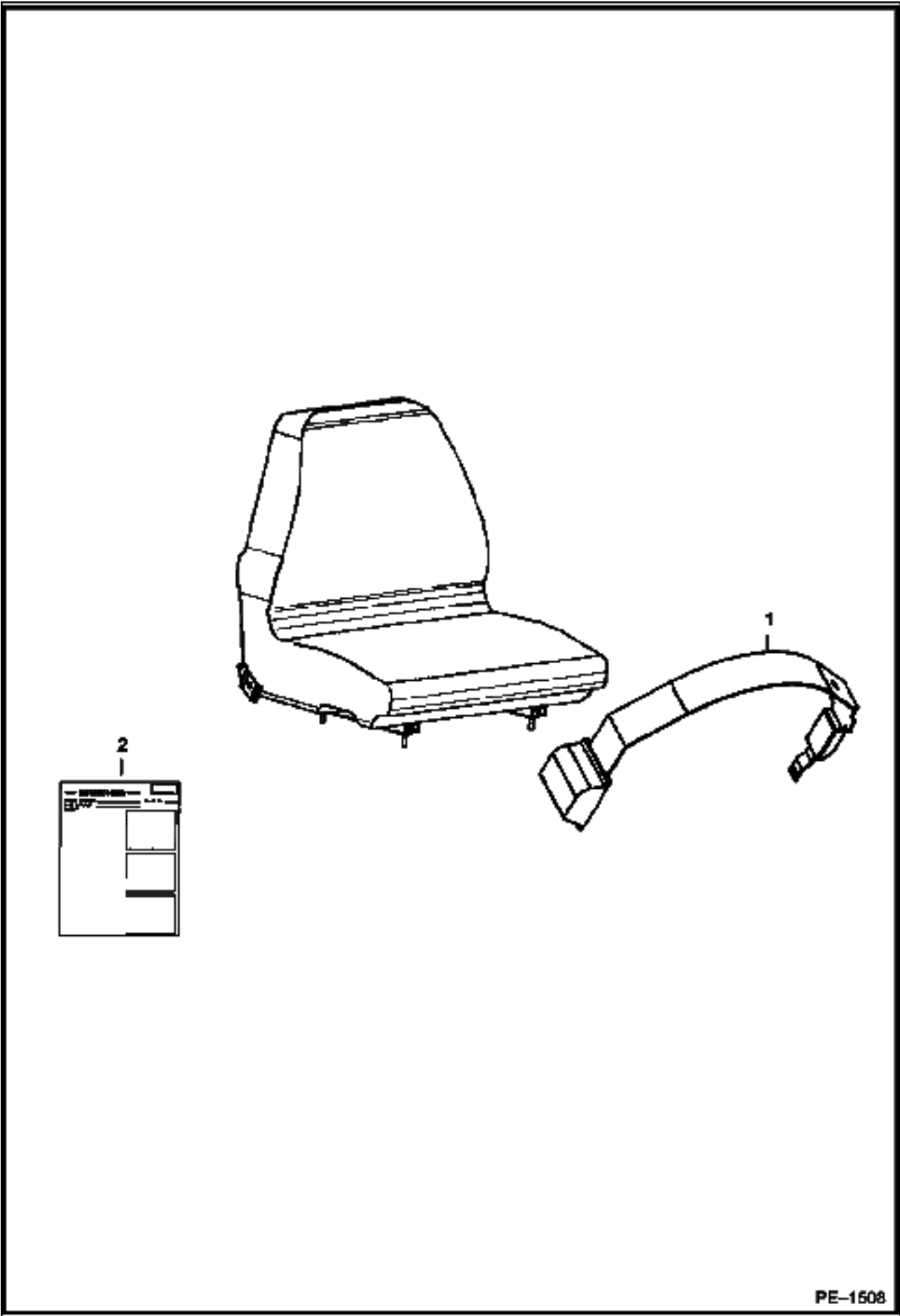
Ref No	Part Number	Description	Remarks	Serial Number	Qty
1	7104744	KIT, ENCLOSURE SEAL	enclosure		1
2	7103491	SEAL	panel		1
3	6903126	INSTRUCTIONS			1



PE-1507

SEAT BELT (Cont'd)
(Three Point Retractable)

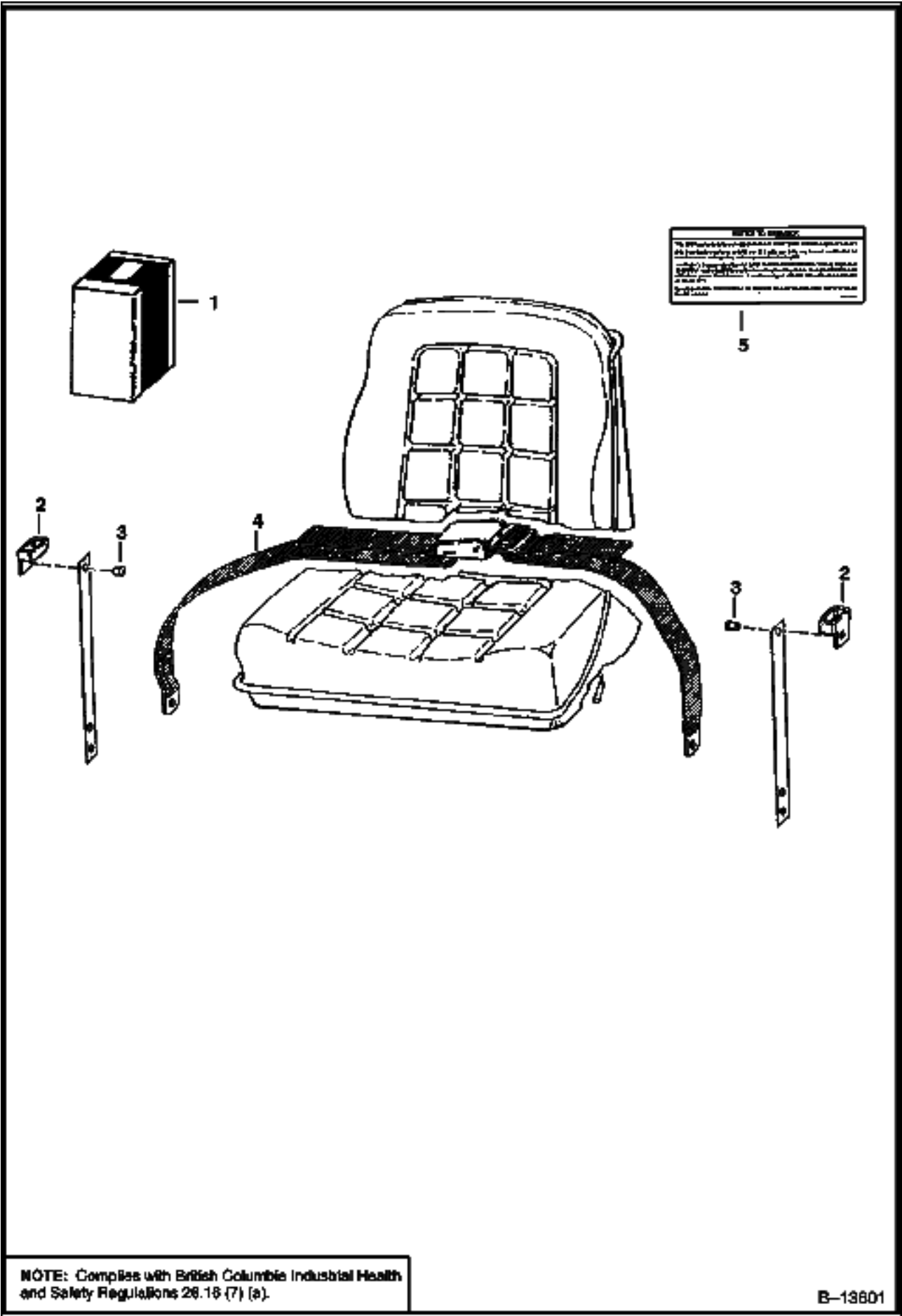
Ref No	Part Number	Description	Remarks	Serial Number	Qty
1	6732219	KIT	three point retractable seat belt - Use with Sears brand Suspension Seats with a L.H. recliner lever		1
2	6674407	SHOULDER BELT			1
3	6679308	SEAT BELT			1
4	6725370	DECAL			1
5	35C000612B	BOLT			1
6	6901010	INSTRUCTIONS			1



PE-1508

Ref No	Part Number	Description	Remarks	Serial Number	Qty
1	6675562	SEAT BELT	3" wide retractable seat belt - Use with Sears brand Suspension Seats with a L.H. recliner lever		1
2	6901011	INSTRUCTIONS			1

SEAT BELT (3" Wide)



WARNING

Do not use this seat belt if the buckle or the strap is damaged or if the seat belt is not properly installed. Do not use this seat belt if the seat is not properly installed. Do not use this seat belt if the seat is not properly secured to the vehicle frame. Do not use this seat belt if the seat is not properly secured to the vehicle frame. Do not use this seat belt if the seat is not properly secured to the vehicle frame.

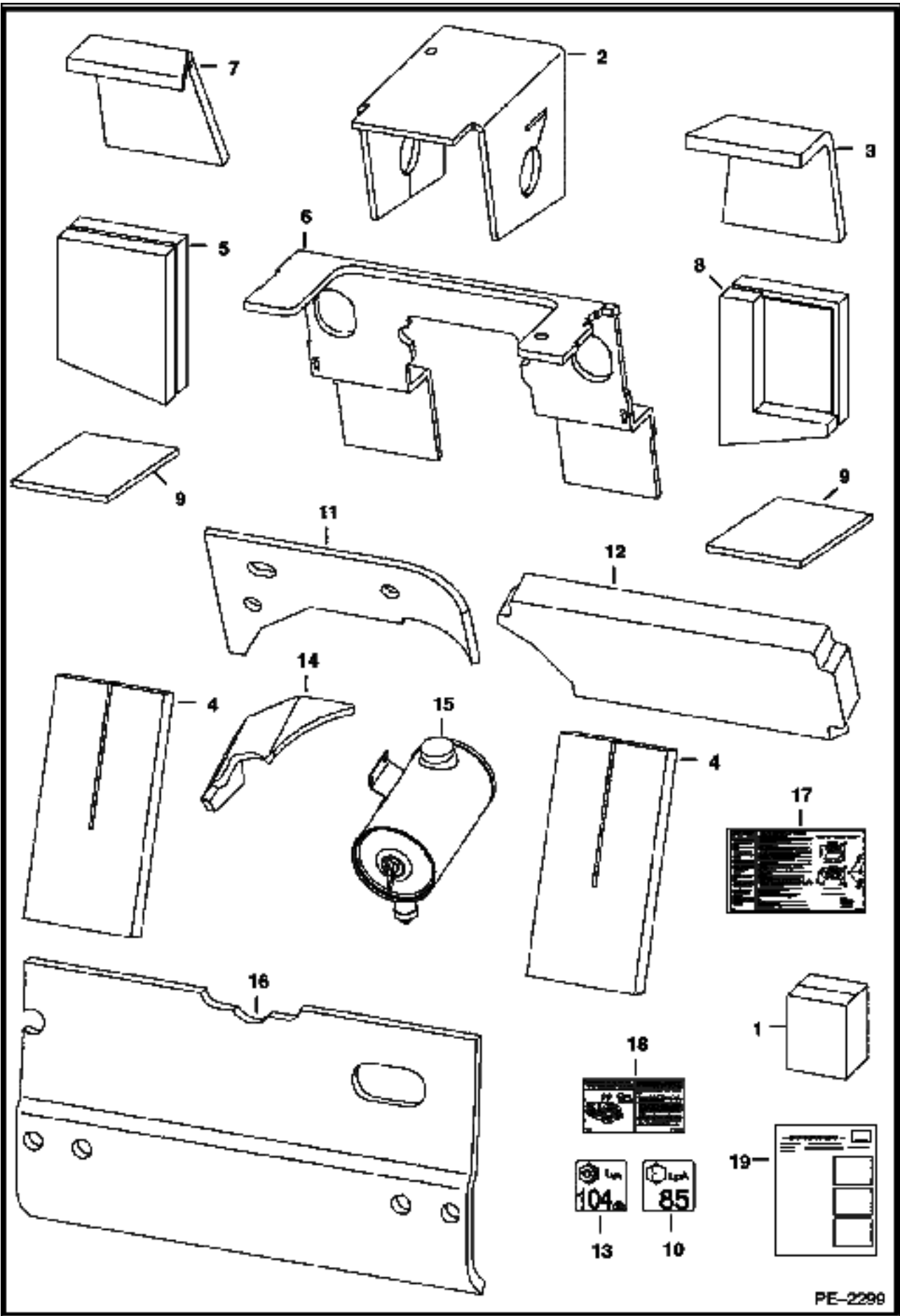
NOTE: Complies with British Columbia Industrial Health and Safety Regulations 26.18 (7) (a).

B-13801

SEAT BELT (Cont'd)
(3" Wide)

Ref No	Part Number	Description	Remarks	Serial Number	Qty
1	6703640	KIT	W/Ref. 2-5		1
2	6703703	GUIDE			2
3	6512797	RIVET			4
4	6659999	BELT			1
5	6703641	DECAL			1

SOUND KIT

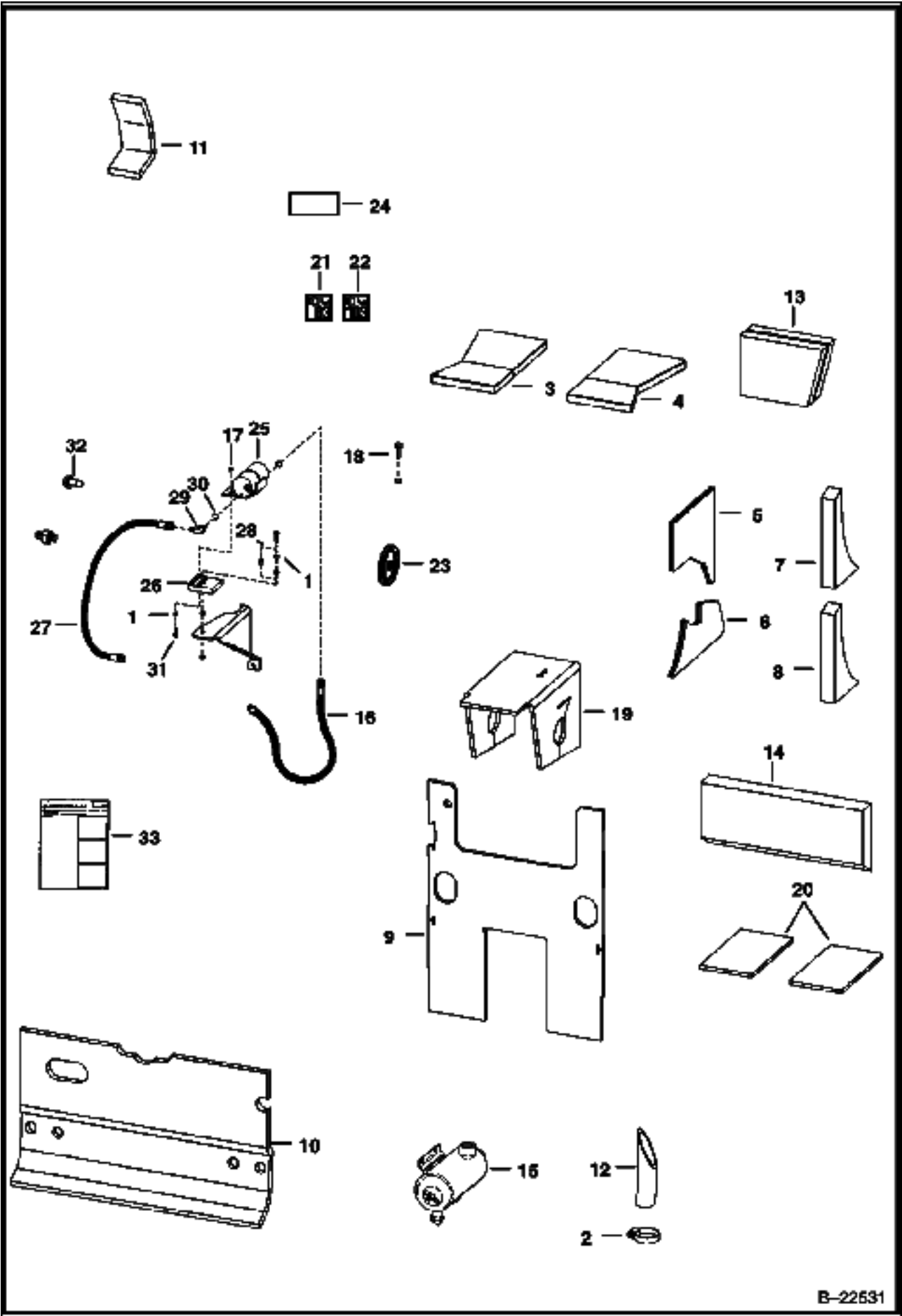


PE-2299

SOUND KIT (Cont'd)

Ref No	Part Number	Description	Remarks	Serial Number	Qty
1	7104434	SOUND KIT			1
2	7121439	INSULATION	transmission		1
3	6732723	INSULATION	cross member - R.H.		1
4	7103227	INSULATION	brace		2
5	6705848	INSULATION	transmission		1
6	6719372	INSULATION	steering panel		1
7	6732722	INSULATION	cross member - L.H.		1
8	6725316	INSULATION	transmission		1
9	6715371	INSULATION	transmission		2
10	6579385	DECAL	noise level - 85db		1
11	6719332	INSULATION	blower housing		1
12	6727299	INSULATION	cab back		1
13	6731994	DECAL	noise level - 104db		1
14	6704769	INSULATION	blower housing		1
15		AIR CLEANER			1
16	6715106	INSULATION	rear door		1
17	6734534	DECAL	warning/service schedule/service parts		1
18	6709030	DECAL	belt tension idler		1
19	6902945	INSTRUCTIONS			1

SOUND OPTION

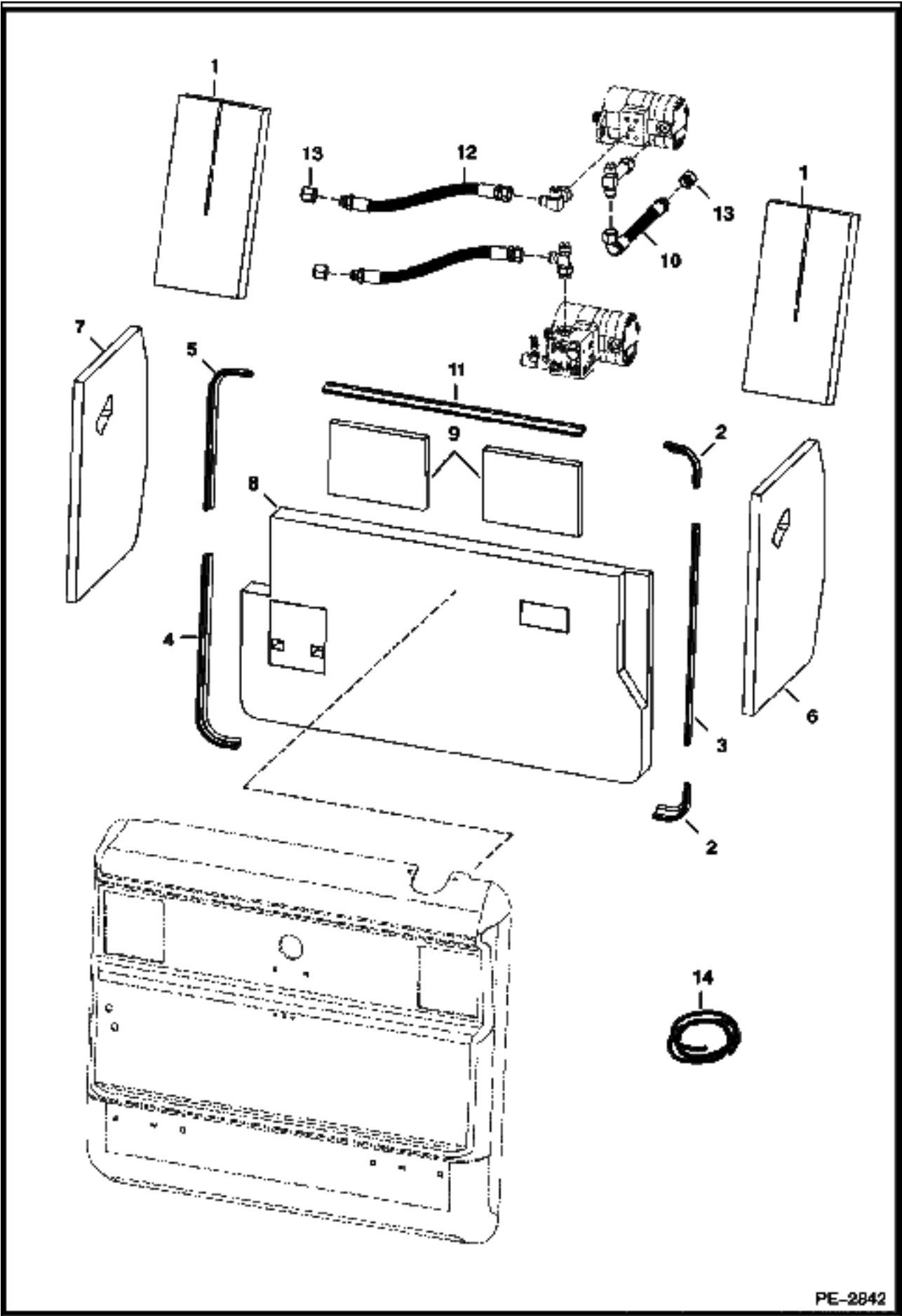


B-22531

SOUND OPTION (Cont'd)

Ref No	Part Number	Description	Remarks	Serial Number	Qty
1	6562619	BUSHING			2
2	42H000044B	CLAMP			2
3	6732722	INSULATION	cross member - L.H.		1
4	6732723	INSULATION	cross member - R.H.		1
5	6719332	INSULATION	blower housing		1
6	6704769	INSULATION	blower housing		1
7	6705849	INSULATION	brace		1
8	6705850	INSULATION	brace		1
9	7101529	INSULATION	Steering column		1
9	7101528	INSULATION	Steering column - SJC		1
10	6715106	INSULATION	rear door		1
11	6703331	INSULATION	air inlet		1
12	6735349	HOSE			1
13	6705848	INSULATION	transmission		2
14	6725316	INSULATION	transmission		1
15		AIR CLEANER			1
16	6729154	HOSE			1
17	85D000006B	NUT			2
18	84G003716B	BOLT			2
19	6715371	INSULATION	transmission		1
20	6715372	INSULATION	pedal		1
21	6579399	DECAL	sound level warning - 83 db		1
22	6579403	DECAL	sound level warning -103 db		1
23	6712970	PULLEY	4.75"(120,7 mm) O.D.		1
23	6712971	PULLEY	5.00"(127 mm) O.D.		1
24	6715428	DECAL			1
25	6659982	MUFFLER	hyd.		1
26	6705333	MOUNT	rubber		1
27	6729144	HOSE			1
28	6715744	BUSHING			1
29	17KB01212B	ELBOW	W/Ref. 30		2
30	79K000012B	O-RING			2
31	35C000616B	BOLT			2
32	84G003724B	BOLT			1
33	6901003	INSTRUCTIONS			1

SOUND OPTION Bystander

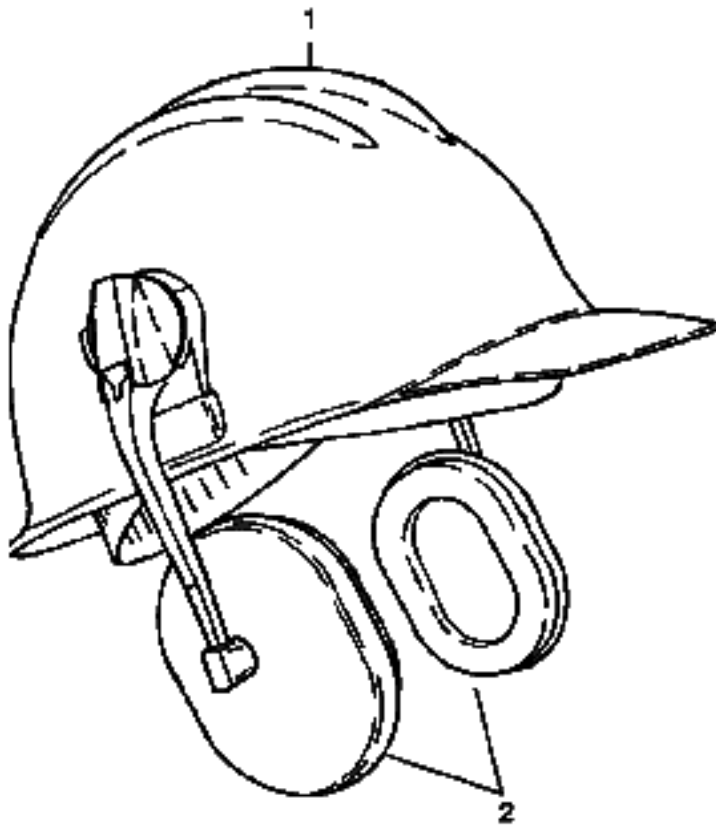


PE-2842

SOUND OPTION (Cont'd)
Bystander

Ref No	Part Number	Description	Remarks	Serial Number	Qty
1	7103227	INSULATION	brace		2
2		SEAL	NAP - 6.50" (165,1 mm) long - Order Ref. 14		2
3		SEAL	NAP - 21.25" (546,1 mm) long - Order Ref. 14		1
4		SEAL	NAP - 22.10" (561,3 mm) long - Order Ref. 14		1
5		SEAL	NAP - 17.60" (447 mm) long - Order Ref. 14		1
6	7108992	INSULATION	upright		1
7	7108993	INSULATION	upright		1
8	7109317	INSULATOR	tailgate		1
9	7109318	INSULATOR	upper tailgate		1
10	7110429	HOSE	hydraulic muffler		1
11		SEAL	NAP - 27.25" (692,15 mm) long - Order Ref. 14		1
12	7112651	HOSE			1
13	36K000008B	CAP			2
14	7108716	SEAL	bulk - sold per foot		x

SOUND REDUCTION HARDHAT

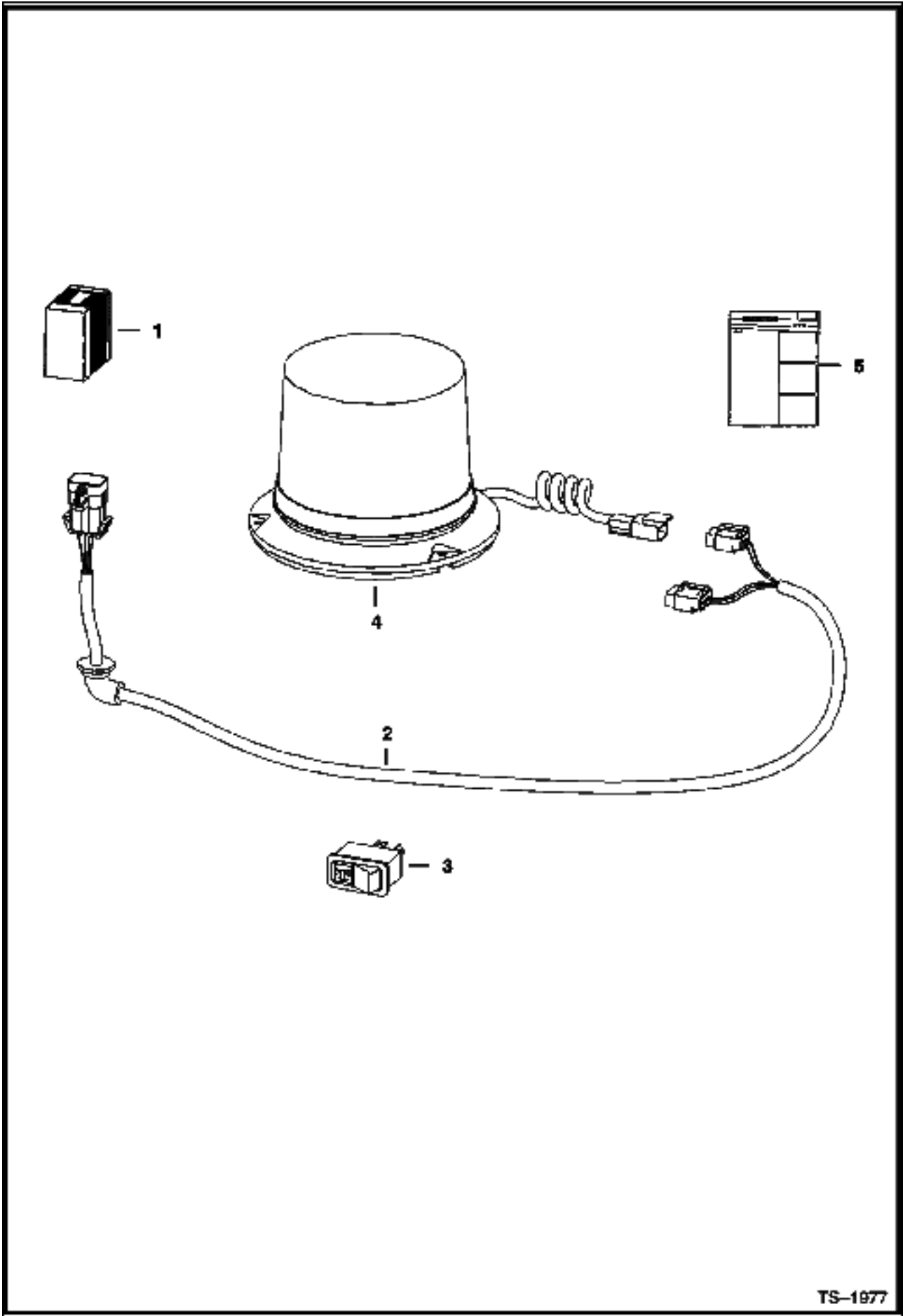


B-3111

SOUND REDUCTION HARDHAT (Cont'd)

Ref No	Part Number	Description	Remarks	Serial Number	Qty
1	6559552	HARDHAT			1
2	6559775	EARMUFFS			1

STROBE LIGHT

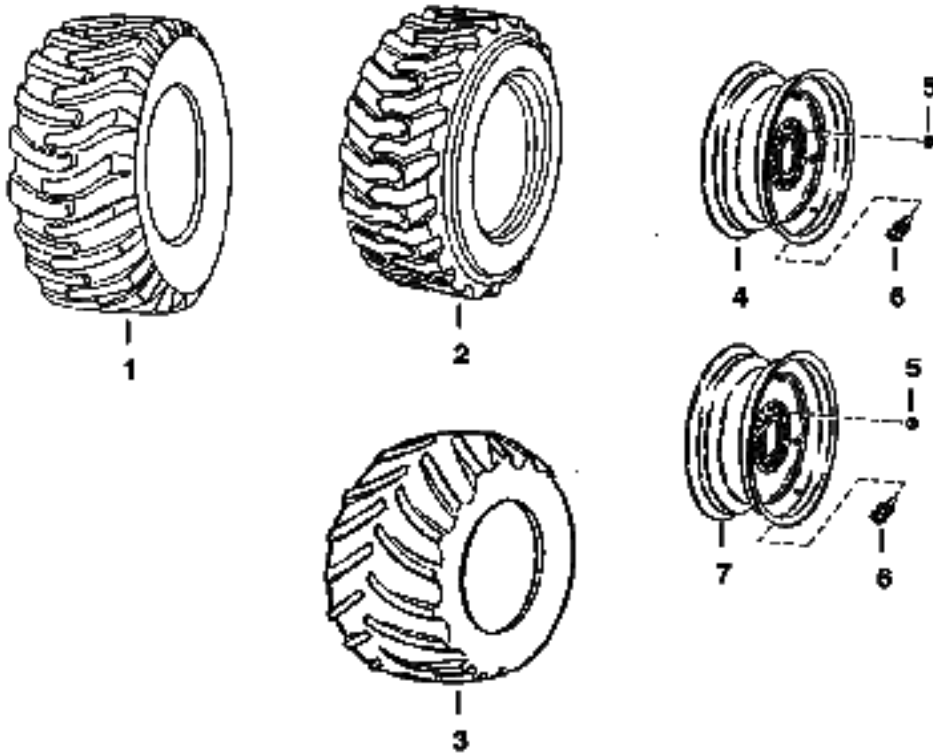


TS-1977

STROBE LIGHT (Cont'd)

Ref No	Part Number	Description	Remarks	Serial Number	Qty
1	6719857	KIT	strobe light - If loader is not equipped W/ heater, air conditioning, selectable joystick controls, advanced control system, power bob-tach, rotating beacon and/or non-power port plug-in 4 way flashers, also order 7116260 deluxe harness		1
2	6718872	HARNESS			1
3	6665317	SWITCH	horizontal		1
3	6668816	SWITCH	vertical		1
4	6675522	STROBE			1
4	6675858	FLASH TUBES			1
5	6900992	INSTRUCTIONS			1

TIRES & RIMS

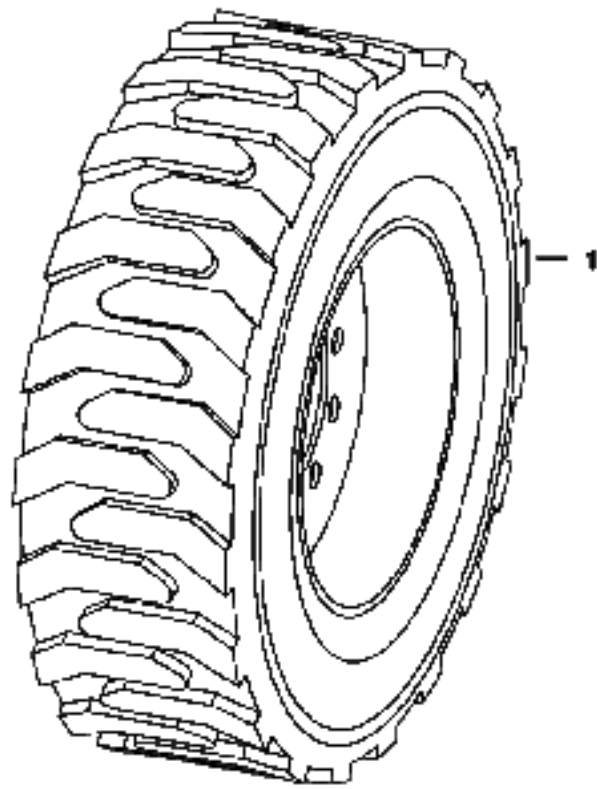


B-22533

TIRES & RIMS (Cont'd)

Ref No	Part Number	Description	Remarks	Serial Number	Qty
1	6729896	TIRE	10.00-16.5, 8 ply - Bobcat Brand - standard duty		4
1	6729900	TIRE	10.00-16.5, 10 ply - Bobcat Brand - heavy duty		4
2	6730106	TIRE	10.00 - 16.5 - 10 ply - Bobcat brand - severe duty		4
3	7105756	TIRE	31.5 - 13 x 16.5 - 10 ply Bobcat Brand - Super Float - Was 6730107 [A]		4
4	6730771	RIM	Used W/Ref. 1		4
4	6730772	RIM	Used W/Ref. 3		4
5	6564669	NUT	wheel		32
6	1614765B	STEM	tubeless tire		4
7	6730775	RIM	inverted - Use W/Ref. 1 - For 60" width		4

TIRES & RIMS
Solid Tires

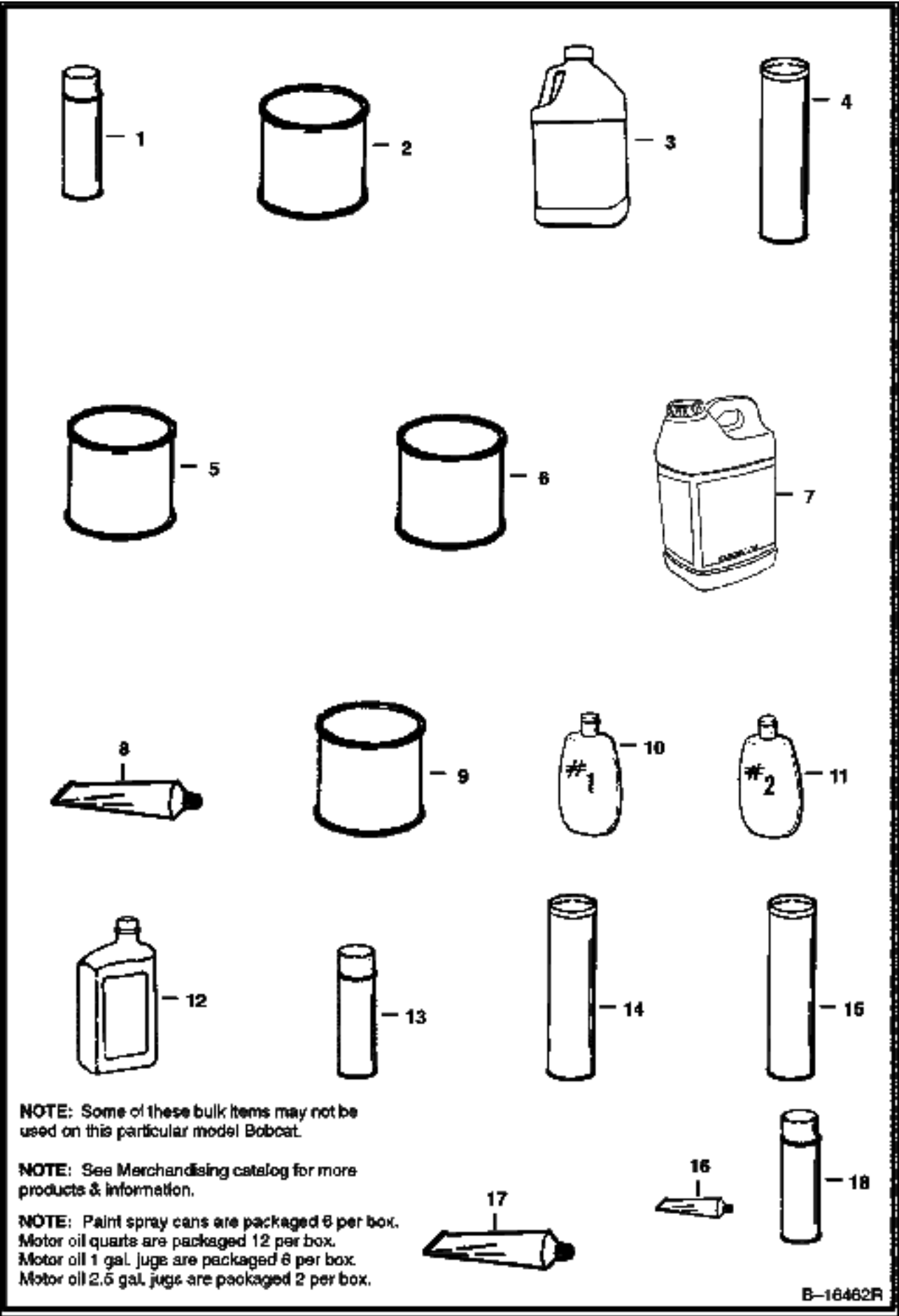


MS-2192

TIRES & RIMS (Cont'd)
Solid Tires

Ref No	Part Number	Description	Remarks	Serial Number	Qty
1	6903766	31X6X10 SOLID FLEX TIRE AND WHEEL (LEFT)			2
2	6903767	31X6X10 SOLID FLEX TIRE AND WHEEL (RIGHT)			2

**BULK ITEMS
(SEE NOTE)**



NOTE: Some of these bulk items may not be used on this particular model Bobcat.

NOTE: See Merchandising catalog for more products & information.

NOTE: Paint spray cans are packaged 6 per box.
 Motor oil quarts are packaged 12 per box.
 Motor oil 1 gal. jugs are packaged 6 per box.
 Motor oil 2.5 gal. jugs are packaged 2 per box.

B-16462R

BULK ITEMS (Cont'd)
(SEE NOTE)

Ref No	Part Number	Description	Remarks	Serial Number	Qty
1	6902228	PAINT	orange - Spray Can - SEE NOTE		x
1	6902229	PAINT	charcoal -Spray Can -SEE NOTE		x
1	6902230	PAINT	white - Spray Can - SEE NOTE		x
2	6902233	PAINT	orange - Qt.		x
2	6902234	PAINT	charcoal - Qt.		x
2	6902235	PAINT	white - Qt.		x
3	6724094	ANTI-FREEZE	gallon - PG - premixed		x
3	6724354	ANTI-FREEZE	gallon - PG - concentrate		x
4	6633583	SEALANT	chaincase covers		x
5		REDUCER	NAP - gallon		x
6		PRIMER	NAP - gallon		x
6	6653519	PRIMER	Qt.		x
7	6903117	HYD FLUID 2.5 GAL. 2			x
7	6903118	HYD. FLUID 5GAL			x
7	6903119	HYD. FLUID 55GAL			x
8	6599360	SEALANT	electrical - 3 oz. tube		x
9	6903121	GEAR LUBE 12			x
10	6630188	POLISH	window - #1 (8 oz.)		x
11	6630189	POLISH	window - #2 (8 oz.) - scratch remover		x
12	6903109	OIL 30W QT. 12			x
12	6903110	OIL 30W GAL. 6			x
12	6903111	OIL 30W 2.5 GAL 2			x
12	6903107	OIL 10W30 QT. 12			x
12	6903108	OIL 10W30 GAL. 6			x
12	6903112	OIL 10W30 2.5 GAL 2			x
12	6903105	OIL 15W40 QT. 12			x
12	6903106	OIL 15W40 GAL. 6			x
12	6903113	OIL 15W40 2.5 GAL. 2			x
13	6652818	ADHESIVE	insulation - spray can		x
14	6903122	GREASE 10			x
15	6599719	GREASE	14.5 oz. cartridge - For fan idler bearing & spring loaded drive idler		x
16	6650407	ADHESIVE	1 oz. tube		x
17	6650388	SEALANT	flange		x
18	6736644	PAINT	orange - .5 oz. spray can		x
18	6736641	PAINT	charcoal - .5 oz. spray can		x
18	6736642	PAINT	white - .5 oz. spray can		x
18	6736645	PAINT	red - .5 oz. spray can		x

NUMERICAL INDEX

Part No.	Description	Was	Code	Page
10C000410B	BOLT			230
10C000416B	BOLT			230
10C000616B	BOLT			20
10H000025B	GREASE ZERK			32, 46, 48
10H000035B	GREASE ZERK			32, 34, 82
10J000005B	BALL			176
10J000013B	BALL			162
11H000015B	GREASE ZERK			32, 46, 48
12D000006B	NUT			252
12D000008B	NUT			252
12D000010B	NUT			256
12H000015B	GREASE ZERK			32, 46, 48
12H000025B	GREASE ZERK			290
1304227B	PIN			158
1306637B	PIN			60
1320075	COTTER PIN			284
14J001808B	PIN			150
14J005032B	PIN			34
1530265B	PISTON SEAL			56
15JM00410B	KEY			164
15KB00404B	ADAPTER			290
15KB00606B	ADAPTER			51, 52, 54, 74, 290, 298
15KB00612B	ADAPTER			298
15KB01010B	ADAPTER			80
15KB01212B	ADAPTER			54
1614765B	STEM			324
16F000002B	PLUG			164
17C000410B	BOLT			252, 278
17C000412B	BOLT			41, 42
17C000428B	BOLT			52
17C000508B	BOLT			252
17C000512B	BOLT			216, 222, 238, 252
17C000514B	BOLT			132, 200
17C000540B	BOLT			280, 282
17C000608B	BOLT			132, 200
17C000610B	BOLT			78, 150
17C000612B	BOLT			16, 60, 80, 82, 132, 146, 218, 222
17C000616B	BOLT			60, 78, 130, 132, 258
17C000620B	BOLT			60, 74, 82, 150
17C000624B	BOLT	17C-620	B	32, 60, 222
17C000624B	BOLT			32, 60, 222
17C000628B	BOLT			82, 222
17C000632B	BOLT			284
17C000640B	BOLT			20, 31, 32, 52, 74, 234, 280, 282
17C000656B	BOLT			32
17C000660B	BOLT			32, 34
17C000680B	BOLT			82
17C000716B	BOLT			16, 156
17C000820B	BOLT			30
17C000828B	BOLT			150, 154
17C000844B	BOLT			46, 48
17C001028B	BOLT			280
17C001036B	BOLT			282
17C001056B	BOLT			14

Code for disposition of old part number

A -- Use up

B -- Use on other application (See PNI)

C -- File PDR Report with Bobcat Parts Sales

D -- Part Number Error

NUMERICAL INDEX (Cont'd)

Part No.	Description	Was	Code	Page
17C006116B	BOLT			144
17C720	BOLT			144
17KB00606B	ELBOW			64, 66, 80, 298
17KB00810B	ELBOW			46, 48, 214
17KB01010B	ELBOW			49, 50, 214
17KB01212B	ELBOW			78, 80, 254, 298, 316
18C001636B	BOLT			44
18EM01224B	WASHER			216, 222
18KB00404B	ELBOW			290
18KB01010B	ELBOW			80
19J000012B	CLAMP			74
1C000816B	SCREW			46, 48
1CM00640B	BOLT			216, 222
1CM00820B	BOLT			82
1CM00825B	BOLT			124
1CM00835B	BOLT			162, 182
1CM00870B	BOLT			124, 162
1CM00875B	BOLT			182
1CM00890B	BOLT			154
1CM08100B	BOLT			124, 154
21G000804B	BOLT			264
21KB00606B	TEE			262
21KB01212B	FITTING			290
225855B	SEAL			32, 56
24K000005B	PLUG			74
24K000007B	PLUG			62, 66
25E000010B	WASHER			122
25E000013B	WASHER			42, 134, 138, 200, 278
25E000014B	WASHER			124, 230
25E000015B	WASHER			124
25E000016B	WASHER			216, 222
25E000017B	WASHER			144
25E000018B	WASHER			156
25E000021B	WASHER			46, 48, 154
25G000612B	BOLT			244, 246
25GT00410B	BOLT			134
25K020010B	SEAL			74
25K020016B	O-RING			62, 66
25K020100B	O-RING			130
25K030202B	O-RING			38
25K030508B	O-RING			38
27E000006B	WASHER			202
29CM00820B	BOLT			124, 154
29G000416B	SCREW			62, 66
29G000444B	BOLT			62, 66
2DM00008B	NUT			168
2EM00008B	WASHER			170
2F004051B	PIN			158
30G000416B	BOLT			62
30H000021B	CLAMP			260
30H000023B	CLAMP			278
30H000027B	CLIP			248
30H000042B	CLAMP			286
30H000046B	CLAMP			130

Code for disposition of old part number

A -- Use up

B -- Use on other application (See PNI)

C -- File PDR Report with Bobcat Parts Sales

D -- Part Number Error

NUMERICAL INDEX (Cont'd)

Part No.	Description	Was	Code	Page
30H000050B	CLAMP			244
30H000062B	CLAMP			132, 200
30H000079B	CLAMP			74
31C000410B	BOLT			256
31C000820B	BOLT			12
31C000824B	BOLT			12, 284
31H000016B	CLAMP			158
31H000038B	CLAMP			156
31H000042B	CLIP			290
35C000408B	BOLT			216
35C000410B	BOLT			206, 252, 266
35C000412B	BOLT			20, 40, 48, 214, 260
35C000416B	BOLT			52
35C000512B	BOLT			28, 246, 278
35C000516B	BOLT			144
35C000536B	BOLT			50, 214, 252
35C000612B	BOLT			60, 308
35C000616B	BOLT			148, 254, 290, 298, 316
35C000620B	BOLT			124, 150, 154, 222
35C000680B	BOLT			298
35C001020B	BOLT			236
35C001032B	BOLT			38
35C003116B	BOLT			124
36K000005B	CAP			52, 62, 66
36K000006B	CAP			154
36K000007B	CAP			46
36K000008B	CAP			318
37C000412B	BOLT			260
37C000424B	BOLT			266
37C000512B	BOLT			206, 266, 286
37C000620B	BOLT			28, 60, 200
37C000632B	BOLT			30
38C000610B	BOLT			156, 158
38C000820B	BOLT			150
38C000824B	BOLT			30
38C000840B	BOLT			29, 30
3974037B	PIN			164
3974095B	GASKET			160, 164
3974192B	BOLT			188
3974260B	BOLT			194
3974389B	GASKET			164
3974393B	PIN			164
3974394B	PIN			164
3974395B	PIN			162, 164
3974432B	CAP			170
3974433B	CAP			170
3974502B	GASKET			192
3974514B	SPRING			168
3974515B	RETAINER			168
3974518B	CAP			168
3974521B	BRACKET			168
3974524B	WASHER			168
3974546B	KEY			174, 178
3974547B	STOPPER			178

Code for disposition of old part number

A -- Use up

B -- Use on other application (See PNI)

C -- File PDR Report with Bobcat Parts Sales

D -- Part Number Error

NUMERICAL INDEX (Cont'd)

Part No.	Description	Was	Code	Page
3974577B	O-RING			160, 174
3974618B	CIRCLIP			176
3974620B	CIRCLIP			176
3974626B	SHIM			192
3974671B	NUT			174
3974679B	BAND			166
3974868B	PIN			164
3974871B	ADAPTER			164
3974882B	BRACKET			170
3974893B	SEAT			162
3974894B	FLANGE			162
3974920B	SCREW			168
3974928B	SCREW			166
3974971B	NUT			190
3974972B	GASKET			190
3974996B	COVER			176
3975337B	COLLAR			174
3975426B	OIL PUMP			164
3975441B	GEAR			164
40K000006B	PLUG			146
42H000044B	CLAMP			254, 316
42HL00250B	CLAMP			36
42HL00300B	CLAMP			148
42HL00325B	CLAMP			148
42HS00004B	CLAMP			36
43C000408B	BOLT			132, 138
43C000616B	BOLT			126, 130
43C000852B	BOLT			154, 250
43C820	BOLT			110
43DM00008B	NUT			124
45C000616B	BOLT			158
45C000620B	BOLT			82
45G001006B	BOLT			256
46D000005B	NUT			216, 222
47C000820B	BOLT			42
47C001064B	BOLT			32
47K000008B	PLUG			88, 92
49C000628B	BOLT			82
4CM00020B	BOLT			190
4CM00616B	BOLT			186, 192
4CM00620B	BOLT			162
4CM00818B	BOLT			178
4CM00822B	BOLT			184
4CM00825B	BOLT			174
4CM00828B	BOLT			174, 180
4D000020B	NUT			280, 282
4DM00006B	NUT			156
4DM00008B	NUT			142
4F006106B	PIN			20
51DM00012B	NUT			216, 222
51E000404B	ADAPTER			298
5289686B	PLUG			18
53CM01240B	SCREW			154
53D000006B	NUT			14, 20, 60, 82

Code for disposition of old part number

A -- Use up

B -- Use on other application (See PNI)

C -- File PDR Report with Bobcat Parts Sales

D -- Part Number Error

NUMERICAL INDEX (Cont'd)

Part No.	Description	Was	Code	Page
53D000010B	NUT			14
53DM00008B	NUT			124, 154
54K020002B	O-RING			64, 68
54K020028B	O-RING			64, 66
54K030110B	O-RING			292
54K030118B	O-RING			58
54K030300B	O-RING			56
54K040116B	O-RING			292
54K040124B	O-RING			58
54K060304B	O-RING			56
55D000004B	NUT			48, 214
55D000005B	NUT			252
55D000006B	NUT			222
55K000204B	O-RING			64, 66
55K000214B	O-RING			74, 290
57D000005B	NUT			214
57D000006B	NUT			28, 30, 60, 200, 284
57D000008B	NUT			284
57D000010B	NUT			236
57G000608B	SCREW			266
58K000011B	O-RING			62
58K000012B	O-RING			64
58K000013B	O-RING			64, 66
58K000014B	O-RING			62
58K000016B	O-RING			66
58K000017B	O-RING			62, 66
58K000022B	O-RING			64
58K000116B	O-RING			72
58K000127B	O-RING			62, 66
58K000132B	O-RING			292
58K000136B	O-RING			58
59D000004B	NUT			156, 230, 260
59D000005B	NUT			14, 124, 218, 222, 266
59D000006B	NUT			30
59D000008B	NUT			14
5CM00812B	BOLT			168
5HM00013B	CLAMP			36
5HM00014B	CLAMP			36, 144
5HM00020B	CLAMP			276
5HM00024B	CLAMP			36, 144
5HM00035B	CLAMP			78
5HM00040B	CLAMP			78
5HM00042B	CLAMP			74, 146
5HM00058B	CLAMP			36
5JM00024B	CIRCLIP			176
614142B	SLEEVE			260
616783	WASHER			124
619021	WASHER 5			46, 48
619021B	WASHER			14, 22, 34, 52, 60, 74, 158, 290
61D000005B	NUT			30, 206, 216, 222, 238
61D000006B	NUT			32, 150, 202, 217, 218, 234
61E000004B	NUT			298
62D000004B	NUT			158
62D000006B	NUT			82

Code for disposition of old part number

A -- Use up

B -- Use on other application (See PNI)

C -- File PDR Report with Bobcat Parts Sales

D -- Part Number Error

NUMERICAL INDEX (Cont'd)

Part No.	Description	Was	Code	Page
63D000006B	NUT			82
63E000004B	PLUG			298
6500989	CLAMP			298
6510171	LINK			38
6510470	RING GEAR			150
6511855	SEAL			144
6512026	BUSHING			60
6512797	RIVET			312
6513152	SEAL			216, 222
6513495	COTTER PIN			60, 158
6513532	POPPET			86
6513533	SPRING			86
6513707	JOINT			192
6515131	TERMINAL			260
6515817	WASHER			14
6516231	RING			58
6517516	LIGHT			260
6518200	GREASE ZERK			82
6519178	BUMPER			20, 32
6519925	BEARING			44
6531270	SLEEVE			62
6532127	BOOT			26, 134
6532453	RING			292
6533898	DECAL			282, 284
6539299	SPACER			58
6539323	HEAD			58
6539934	HEAD			56
6542521	HOSE			74
6542731	SAFETY TREAD			216, 222
654299B	BEARING			88, 92
6544654	BUSHING			60
6552871	WASHER			44
6553411	BUSHING			12, 36, 38, 42
6553709	WASHER			14, 154
6553976	SAFETY TREAD			238
6554100	TREAD			158, 238
6554149	CORD			18, 216, 224, 230
6555341	SAFETY TREAD			290
6555351	SEAL			218, 222, 230
6555987	BUSHING			32
6557224	DECAL			240
6557291	BALL JOINT			156
6557493	GROMMET			304
6557904	FLASHER			252, 260
6558309	WIRE ROPE			238
6558310	SLEEVE			238
6559447	WASHER			74
6559479	NUT			158
6559552	HARDHAT			319, 320
6559775	EARMUFFS			320
6560573	DECAL			240
6560633	DAMPENER			14
6561383	DECAL			238
6562018	SPRING			34

Code for disposition of old part number
 A -- Use up
 B -- Use on other application (See PNI)

C -- File PDR Report with Bobcat Parts Sales
 D -- Part Number Error

NUMERICAL INDEX (Cont'd)

Part No.	Description	Was	Code	Page
6562266	CLAMP			56
6562602	BUSHING			14
6562619	BUSHING			253, 254, 315, 316
6563445	HOSE			154
6563606	WASHER			44
6563914	WASHER			60, 82
6564343	SPACER			156, 158
6564452	GRIP			30, 156, 157, 158
6564657	PIN			59, 60, 200
6564669	NUT			44, 324
6565170	CABLE			124
6565200	DECAL			240
6565355	GUIDE			16
6565977	HOSE			276
6565990	DECAL			240
6567743	PIN			14, 264
6567827	ANGLE			284
6567838	PIN			284
6567962	WASHER			156, 158
6569203	CLAMP			124
6569219	SCREEN			36, 74
6569465	AXLE			44
6570931	INSTRUCTIONS			198
6571851	SNAP RING			40
6576028	HOSE			146
6576033	WASHER			150
6576262	MOUNT			156, 158
6576280	BOLT			124
6576302	BAR			60
6577058	PIN			82
6577204	SPROCKET			37, 38, 44
6577382	SPACER			144
6577459	DIPSTICK			74
6577545	GROMMET			206, 278
6577754	DECAL			240
6577821	HOSE			36
6577822	HOSE			36, 144
6577880	KIT			197, 198
6577947	SAFETY TREAD			238
6577961	GROMMET			26, 28, 60, 158
6578139	LEVER			211, 212
6578140	LEVER			212
6578169	HOSE			36
6578172	HOSE			36
6578209	TEE			74, 76
6578268	BELLCRANK			156
6578278	PAD			36
6578279	HOSE			146
6578280	HOSE			146
6578368	DECAL			240
6578689	HUB			44
6579072	SPRING			32
6579104	SHIM			34
6579106	SHIM			34

Code for disposition of old part number

A -- Use up

B -- Use on other application (See PNI)

C -- File PDR Report with Bobcat Parts Sales

D -- Part Number Error

NUMERICAL INDEX (Cont'd)

Part No.	Description	Was	Code	Page
6579126	CHAIN			38
6579127	CHAIN			38
6579385	DECAL			254, 314
6579399	DECAL			254, 316
6579403	DECAL			254, 316
6579528	DECAL			238
6579613	STOP			14
658128B	SNAP RING			88, 92
6586542	HEAD			292
6586543	PISTON			292
6586586	TUBE			56
6586918	SCREW			62
6587458	KEY			36
6587523	WASHER			62, 66
6587575	ADAPTER			62
6587580	SPRING			62, 67, 68
6587763	BOOT			62, 138
6589226	BONNET			62
6592098	WASHER			62
6592100	COLLAR			62, 68
6592105	BALL			62
6592107	SPRING			62
6592109	ADAPTER			62, 66
6592117	SPRING			62, 66
6592506	CLAMP			54
6595663	BUSHING			62, 66
6596807	PLUG			62
6598098	PIN			190
6598099	KEY			176
6598102	VALVE			192
6598116	PLUG			170
6598146	PIPE			194
6598156	STUD			170
6598158	CIRCLIP			176
6598187	PLUG			164
6598275	BOLT			150
6598362	ELEMENT			2, 196
6598485	SEALANT			204
6598492	ELEMENT			2, 196
6599118	GASKET			192
6599136	CLIP			194
6599360	SEALANT			328
6599645	PLUG			12, 38
6599719	GREASE			150, 328
6599741	WASHER			82
6599744	BALL JOINT			82
6599931	ALARM			206
6610510	TIE			18
6624289	STA STRAP			36, 46, 48, 54, 76, 124, 126, 130, 200, 244, 246, 248, 252, 276, 290
6630188	POLISH			328
6630189	POLISH			328
6630207	RIVET			16, 26
6630945	WASHER			156, 158
6631046	SEAL			160, 172

Code for disposition of old part number

A -- Use up

B -- Use on other application (See PNI)

C -- File PDR Report with Bobcat Parts Sales

D -- Part Number Error

NUMERICAL INDEX (Cont'd)

Part No.	Description	Was	Code	Page
6631418	PIN			14, 20, 264
6631561	NUT			72
6631643	PLATE			110
6631664	SEAL			174
6632218	BEARING			40
6632541	RACE			40
6633583	SEALANT			152, 328
6634609	RACE			44
6640690	PIN			128, 134, 278
6640692	CONNECTOR			128, 134
6640694	LOCK			128, 134
6640699	CONNECTOR			134, 266, 278
6640700	LOCK			134, 278
6641174	CONNECTOR			266
6641176	SEAL			128, 134, 278
6641179	CONNECTOR			72, 128, 134, 278
6641180	LOCK			72, 128, 134, 278
6645086	PLUG			88, 92
6646383	CONNECTOR			126
6646582	PLUG			134
6646705	SEAL			144
6646781	SWITCH			206
6647777	PIN			72
6647778	CAP			72
6647780	PLUG			72
6647783	LOAD CHECK			72
6647784	PLUG			72
6647785	SPRING			72
6647786	SEAL KIT			72
6648293	SCREW			72
6648294	SPRING			72
6648330	TERMINAL			126
6648348	PLUG			26, 28
6649244	STUD			216, 222
6649245	RETAINER			216, 222
6649481	BULB			286
6649551	SHOCK			82
6649706	PIN			236
6649949	PLUG			18
6650388	SEALANT			328
6650407	ADHESIVE			144, 328
6650627	PLATE			88, 92
6650629	PIN			88, 92
6650630	RETAINER			88, 92
6650634	GASKET			88, 92
6650635	BEARING			88, 92
6650636	PIN			88, 92
6650637	BOLT			88, 92
6650646	O-RING			88
6650647	O-RING			88
6650648	PLUG			88
6650652	POPPET			88
6650668	BOLT			88, 92
6650675	COUPLER			88

Code for disposition of old part number
 A -- Use up
 B -- Use on other application (See PNI)

C -- File PDR Report with Bobcat Parts Sales
 D -- Part Number Error

NUMERICAL INDEX (Cont'd)

Part No.	Description	Was	Code	Page
6651489	COVER			182
6651542	BALL			86
6651709	SEAL			32
6651934	BOLT			176
6652018	BOLT			92
6652574	PLUG			164
6652575	PLUG			164
6652580	BOLT			164, 180
6652633	BALL			174, 178
6652652	SPRING			162
6652653	PLUG			166
6652670	STUD			182, 184, 192
6652688	CLAMP			194
6652689	CLAMP			194
6652762	BOLT			180
6652764	STUD			162, 186, 190
6652792	NUT			170, 180, 182
6652818	ADHESIVE			328
6652918	NUT			154, 250
6653519	PRIMER			328
6653798	BOLT			172
6653808	BOLT			180
6653809	ADAPTER			162
6653821	BOLT			174
6653830	SEAL			168
6653833	SPRING			168
6653859	SLEEVE			174
6653861	SLINGER			174
6653888	NUT			164
6653916	HOLDER			188
6653946	STUD			180
6654139	MOULDING			132, 154
6654718	CLAMP			194
6654806	FUSE			126
6655154	GUIDE			170
6655155	SEAT			168
6655156	SEAT			168
6655158	BOLT			170
6655160	PLUG			170
6655161	WASHER			170
6655176	PUSHROD			178
6655179	PIN			174
6655180	CIR-CLIP			174
6655181	ROD			174
6655183	PIN			174
6655195	BOLT			164
6655210	SHIM			192
6655212	GEAR			176
6655213	SLEEVE			176
6655214	CASE			176
6655215	BALL			176
6655216	FUEL PUMP			192
6655223	NUT			190
6655236	PIN			174

Code for disposition of old part number

A -- Use up

B -- Use on other application (See PNI)

C -- File PDR Report with Bobcat Parts Sales

D -- Part Number Error

NUMERICAL INDEX (Cont'd)

Part No.	Description	Was	Code	Page
6655237	PIN			174
6655243	BUSHING			174
6655384	CAMSHAFT			178
6655498	BOLT			174
6655781	BEARING			150
6655870	ROCKER ARM			168
6655880	PIPE			166, 184
6655884	PLUG			164
6655938	VALVE			196
6656155	HOSE COVER			46, 48
6657028	O-RING			88, 92
6657067	COVER			90, 92
6657068	COVER			88, 92
6657415	BOLT			182
6657663	PLUG			164
6657719	PLUG			18, 38, 230
6657734	PUMP			36
6658180	BREATHER			36
6658228	SEAL			44, 204
6658536	RING			150
6658672	SNAP RING			42
6658847	RING			150
6659982	MUFFLER			254, 316
6659999	BELT			312
6660260	SWITCH			80, 120
6660644	CAP			62
6660814	O-RING			88, 92
6660995	GREASE RING			150
6661022	FILTER			10, 74, 117, 118
6661062	PLUG			148
6661114	CAP			35, 36
6661150	SWITCH			252
6661242	COVER			196
6661243	WING NUT			196
6661244	WASHER			196
6661248	ELEMENT			2, 8, 78, 120
6661328	SEAL KIT			64
6661353	LIGHT ASSY			286
6661405	OIL			152
6661481	O-RING			88
6661696	CAP			36
6661785	MOUNT			154
6661787	WASHER			154, 250
6661807	KIT			118
6661808	KIT			118
6662252	LOCK			270
6662257	PIN			270
6662306	RING			44, 204
6662848	CAP			66
6662997	PULLEY			150
6664004	CLAMP			148
6664035	CAP			246
6664036	NUT			246
6664037	WASHER			246

Code for disposition of old part number

A -- Use up

B -- Use on other application (See PNI)

C -- File PDR Report with Bobcat Parts Sales

D -- Part Number Error

NUMERICAL INDEX (Cont'd)

Part No.	Description	Was	Code	Page
6664040	PIN			246
6664065	WASHER			304
6664085	BUSHING			18, 220, 230, 304
6664097	COVER			304
6664103	NUT			304
6664209	SEAL			151, 152
6664221	RETAINER			18
6664223	OUTLET			18
6664224	CAP			18
6664554	PUMP			216
6664566	BOLT			304
6664815	SEAL			86
6665000	CLIP			134, 216, 222
6665017	CONNECTOR			270
6665086	SEAL			56
6665208	SEAL			58
6665314	PLUG			18, 122
6665316	SWITCH			260
6665317	SWITCH			208, 322
6665321	RIVET			134, 216, 222
6665322	RIVET			134, 216, 222
6665367	BULB			18
6665370	PLUG			270
6665371	SWITCH			124, 196
6665568	EXTRUSION			216, 224
6665569	WASHER			62, 66
6665570	RING			62, 66
6665602	MOTOR			304
6665701	BUSHING			60
6665707	SWITCH			216
6665727	LIGHT			252
6665728	LIGHT			252
6665729	LIGHT			252
6665839	BOLT			60
6665860	KIT			252
6666338	WASHER			88, 92
6666341	VALVE			71, 72
6666542	SEAL			292
6666571	BULB			208
6666766	GROMMET			216
6666781	GASKET			160, 184
6666782	GASKET			164
6666802	GASKET			160, 182
6666814	GASKET			174
6667144	CONNECTOR			128, 134
6667145	LOCK			128
6667176	PLUG			72
6667201	SPACER			304
6667323	SEAL			292
6667324	SEAL			58
6667326	SEAL			56
6667352	FILTER FUEL			2, 6, 36
6667353	FILTER ASSY			36
6667418	PLUG			164

Code for disposition of old part number
 A -- Use up
 B -- Use on other application (See PNI)

C -- File PDR Report with Bobcat Parts Sales
 D -- Part Number Error

NUMERICAL INDEX (Cont'd)

Part No.	Description	Was	Code	Page
6667419	WASHER			188
6667420	BOLT			172, 176
6667421	BOLT			170
6667422	WASHER			162, 168, 170, 180, 182
6667428	TAPPET			177, 178
6667433	CIRCLIP			178
6667451	WASHER			168
6667461	PIN			168
6667569	CONNECTOR			246
6667676	COVER			72
6667677	O-RING			72
6667680	SNAP RING			72
6667687	STEM			62, 66
6667803	COUPLER			262, 298
6667804	COUPLER			262, 298
6667844	VALVE ASSY			52, 69, 70
6668079	PLUG			86
6668080	SHIM			86
6668089	PLUG			86
6668104	MOUNT			250
6668114	BEARING			150
6668742	SWITCH			18
6668765	VALVE			62, 66
6668815	SWITCH			252, 260
6668816	SWITCH			208, 252, 322
6668820	NUT			64, 68
6668881	CORD			210
6669085	VALVE			70
6669087	SEAL KIT			70
6669091	CLIP			18, 266
6669224	BOLT			18, 266
6669402	HOUSING			88
6669405	END CAP			92
6669406	END PLATE			88
6669409	WASHER			88
6669411	BEARING			88, 92
6669452	O-RING			86
6669549	SOCKET			242, 246, 248
6669657	SEAL KIT			262, 298
6669732	SEAL KIT			64, 66
6669734	SEAL KIT			66
6670284	LIGHT ASSY			286
6670287	COVER			30
6670312	SOLENOID			252
6670472	NUT			194
6670533	NUT			186, 190
6670634	SEAL KIT			72, 214
6670682	BEARING			150
6670706	CONNECTOR			134
6670707	CONNECTOR			134
6670710	LOCK			134
6670711	LOCK			134
6670715	PIN			134
6670726	LOCK			302

Code for disposition of old part number

A -- Use up

B -- Use on other application (See PNI)

C -- File PDR Report with Bobcat Parts Sales

D -- Part Number Error

NUMERICAL INDEX (Cont'd)

Part No.	Description	Was	Code	Page
6670769	O-RING			160, 194
6670831	ELBOW			78
6671025	COIL			64, 66
6671106	HORN			252
6671512	BLOCK ASSY			89, 90, 92
6671516	SEAL KIT			90, 92
6671518	BOLT			88
6671520	O-RING			92, 110
6671527	NUT			72, 214
6672190	DRAINCOCK			164
6672272	WASHER			286
6672273	SCREW			286
6672274	SCREW			286
6672275	GASKET			286
6672276	LENS			286
6672277	BRACKET			286
6672279	MOUNT			286
6672360	PLUG			162
6672471	VALVE			66
6672863	SOLENOID			72, 214
6673200	FUSE BLOCK			126
6673710	BEARING			82, 132
6673789	BEARING			82, 132
6673828	HOSE			78
6673884	O-RING			88
6673959	VALVE			48, 72, 214
6674000	CLAMP			128
6674169	PULLEY			180
6674202	NUT			122
6674228	PANEL			266
6674231	VENT			266
6674315	SENSOR			124
6674316	SENSOR			80, 126
6674331	COIL			72
6674400	HOUSING			286
6674401	HOUSING			286
6674402	MOUNT			286
6674403	COVER			16, 122
6674407	SHOULDER BELT			308
6674519	WINDOW			230
6674520	WINDOW			230
6674521	WINDOW			230
6674522	WINDOW			230
6674687	BATTERY			2, 124
6674798	REPAIR KIT			78
6674799	ADAPTER			248
6674802	CONNECTOR			242, 246, 248
6674895	RETAINER			18
6674907	NUT			100, 102
6674993	CAP			216
6675026	CAP			242, 246, 248
6675033	INSERT			14, 16, 122
6675064	TERMINAL			252
6675074	SEAT BELT			16

Code for disposition of old part number

A -- Use up

B -- Use on other application (See PNI)

C -- File PDR Report with Bobcat Parts Sales

D -- Part Number Error

NUMERICAL INDEX (Cont'd)

Part No.	Description	Was	Code	Page
6675099	ALARM			278
6675136	GAS SPRING			14
6675140	SNAP RING			14
6675154	HOLDER			126
6675155	FUSE			126
6675170	SEAT BELT			22
6675171	CLAMP			122
6675172	BRACKET			266
6675173	ACTUATOR			266
6675176	SWITCH			266
6675177	KNOB			266
6675179	FLANGE			266
6675181	PLUG			266
6675212	RETAINER			230
6675221	BOLT			154
6675257	CLEVIS			14
6675273	WASHER			30
6675281	MOUNT			246
6675298	COUPLER			218
6675299	COUPLER			218
6675308	KIT			24
6675309	KIT			24
6675310	KIT			24
6675311	KIT			24
6675312	KIT			24
6675313	KIT			24
6675314	KIT			24
6675315	KIT			24
6675316	KIT			24
6675317	SCISSORS			22
6675318	KIT			24
6675319	SEAT			22
6675320	SEAT			22
6675321	SEAT			22
6675322	SEAT			22
6675323	KNOB			22
6675332	LINK			38
6675336	BULB			286
6675342	PIN			88, 92
6675378	CLIP			218, 222
6675387	EXTRUSION			17, 18, 230
6675503	HOUSING			270
6675504	RING			270
6675505	BLOWER WHEEL			270
6675506	MOUNT			270
6675507	COVER			270
6675509	MOTOR			270
6675510	CLAMP			268
6675511	DRAIN VALVE			268
6675512	CLAMP			268
6675517	FILTER			1, 2, 3, 4, 6, 162
6675522	STROBE			322
6675523	BEACON			208, 252
6675524	CLIP			16

Code for disposition of old part number
 A -- Use up
 B -- Use on other application (See PNI)

C -- File PDR Report with Bobcat Parts Sales
 D -- Part Number Error

NUMERICAL INDEX (Cont'd)

Part No.	Description	Was	Code	Page
6675544	CANVAS CAB			227, 228
6675545	GROMMET			18, 230
6675558	SEAL			216, 222
6675559	COIL			64, 126
6675562	SEAT BELT			309, 310
6675581	EXTINGUISHER			256
6675590	DOOR			228
6675591	HINGE KIT			228
6675595	SEAT			22
6675596	SEAT			22
6675611	SEAL			272
6675618	CLAMP			182
6675734	STRAP			144
6675833	SEAL			230
6675835	TURN SIGNAL			260
6675846	POTENTIOMETER			266
6675858	FLASH TUBES			322
6675982	PLUG			122
6675999	SWITCH			304
6676000	TEE			304
6676001	ARM			304
6676002	BLADE			304
6676003	HOSE			216, 220, 304
6676028	NOZZLE			304
6676029	SOLENOID			132, 134, 138, 200
6676034	KIT			24
6676338	GAS SPRING			24
6676400	CONNECTOR			124
6676499	GROMMET			216
6676500	ELBOW			216
6676516	NUT			266
6676536	SWITCH			122
6676537	SWITCH			132, 200
6676538	INSULATION			274
6676539	CLIP			268
6676545	CARTRIDGE			72
6676606	SPACER			268, 274
6676618	CLIP			270
6676640	SEAL			135, 136
6676653	SCREW			268, 274
6676732	SWITCH			290
6676870	CONNECTOR			134
6676872	TURN SIGNAL			252, 260
6676917	ELBOW			216
6676927	FELT STRIP			230
6677105	COVER			268
6677108	HOUSING			268
6677111	SEAL			268, 272
6677115	RECEPTACLE			268
6677116	RETAINER			268
6677117	SCREW			268
6677118	SCREW			268
6677119	SCREW			268
6677120	COVER			268

Code for disposition of old part number

A -- Use up

B -- Use on other application (See PNI)

C -- File PDR Report with Bobcat Parts Sales

D -- Part Number Error

NUMERICAL INDEX (Cont'd)

Part No.	Description	Was	Code	Page
6677136	SOCKET			242, 246, 248
6677181	SENSOR			130
6677192	MAGNET			216, 222
6677193	RIVET			216, 222
6677195	PISTON			58
6677198	TAB			230
6677203	GUIDE			172
6677363	CLAMP			148
6677383	SOLENOID			64
6677485	SPACER			140
6677486	NUT			140
6677487	COVER			140
6677488	RECTIFIER			140
6677489	REGULATOR ASSY			140
6677490	BRACKET			140
6677491	BRACKET			140
6677492	ROTOR			140
6677493	STATOR			140
6677494	BOLT			140
6677495	SPACER			140
6677496	PULLEY			140
6677497	NUT			140
6677504	COVER			268, 274
6677817	BOLT			140
6677818	BEARING			140
6677819	RETAINER			140
6677820	BEARING			140
6677833	ARM ASSY			219, 220
6677834	BLADE			220
6677836	COVER			220
6677837	BOLT			220
6677839	GASKET			220
6677840	SWIVEL			220
6677841	WASHER			220
6677842	NUT			220
6677843	NUT			220
6677844	NUT			220
6677845	ADAPTER			220
6677847	GROMMET			220
6677973	PLUG			230
6677983	FILTER			266
6678000	SEAL			86
6678001	PLATE			86
6678003	PLATE			86
6678004	PLATE			86
6678006	BACK-UP RING			86
6678076	BLOCK	6678951	A	53, 54
6678151	COVER			268
6678152	SEAL			268
6678198	BOLT			220
6678205	ALTERNATOR			139, 140
6678207	FILTER			266
6678226	SEAL			88, 92
6678283	HANDLE			230

Code for disposition of old part number
 A -- Use up
 B -- Use on other application (See PNI)

C -- File PDR Report with Bobcat Parts Sales
 D -- Part Number Error

NUMERICAL INDEX (Cont'd)

Part No.	Description	Was	Code	Page
6678292	GAS SPRING			264
6678548	SOCKET			216, 222
6678666	TREE MOUNT			126, 276
6678675	CONTROLLER			244, 246
6678739	WASHER			220
6678818	MOUNT			124, 126
6678891	COIL			64, 68, 126
6678920	NOZZLE			220
6678921	GUIDE			220
6679034	MOUNT			74, 124
6679247	BOLT			43, 44
6679308	SEAT BELT			308
6679476	MOTOR			220
6679485	CONTROLLER JC			130
6679820	RELAY			126
6679835	KIT			54
6679837	COUPLER			54
6679838	COUPLER			54
6679839	COUPLER			54
6679840	SEAL			54
6679841	SEAL			54
6679842	SWITCH			122
6679845	CROSSMEMBER			122
6679855	BULB			122
6679856	ALARM			122
6679990	CLIP			14
6679994	SEAL			14
6680018	KIT			54
6680020	SEAL KIT			54
6680326	LIGHT			18
6680355	BOOT			142
6680356	BOLT			142
6680358	RING			142
6680359	STOP RING			142
6680360	STOP			142
6680361	SPRING			142
6680362	BALL			142
6680363	WASHER			142
6680365	SHAFT			142
6680366	GEAR			142
6680367	GEAR			142
6680368	STOP RING			142
6680369	SEAL			142
6680371	LEVER			142
6680372	BRACKET			142
6680373	YOKE			142
6680374	ARMATURE			142
6680375	SHAFT			142
6680376	SWITCH			142
6680377	HOLDER			142
6680378	WASHER			142
6680379	SEAL			142
6680380	SEAL			142
6680383	BOLT			142

Code for disposition of old part number

A -- Use up

B -- Use on other application (See PNI)

C -- File PDR Report with Bobcat Parts Sales

D -- Part Number Error

NUMERICAL INDEX (Cont'd)

Part No.	Description	Was	Code	Page
6680384	BOLT			142
6680388	BRACKET			142
6680389	BRACKET			142
6680390	GEAR			142
6680410	CONTROLLER			130, 131, 132
6680414	HANDLE ASSY.			278
6680415	HANDLE			128
6680417	HANDLE			134
6680418	HANDLE ASSY.			127, 128
6680419	HANDLE ASSY.		A	128
6680429	SENSOR			20
6680438	SENSOR			126
6680441	BUSHING			20
6680443	BUSHING			20
6680447	DECAL			128
6680462	HANDLE			134
6680468	MOUNT			134, 200
6680469	SPACER			134, 200
6680470	SPRING			134, 200
6680471	COVER			134
6680477	STRAP			134, 200
6680478	SHIELD			132, 138
6680479	SHIELD			132, 138
6680480	CHANNEL			134
6680481	CHANNEL			134
6680639	PLUG			164
6680657	PLUG			172
6680663	NUT			192
6680685	BOLT			168
6680706	BOLT			188
6680779	GASKET			194
6680801	BOLT			192
6680830	BOLT			188
6680970	BREATHER			12, 42
6681469	PLUG			28
6681487	O-RING			300
6681489	O-RING			300
6681512	SOLENOID			42
6681614	KNOB			18, 230, 266
6681945	ELBOW			78
6682034	MOTOR			74, 85, 86
6682260	SHAFT			88
6682261	KEY			88
6682264	SHAFT			92
6682442	SLEEVE			150
6682500	FILTER			172
6682515	SHIM			192
6682532	NUT			184
6682586	GAS SPRING			216, 222
6682860	O-RING			86
6682862	SHAFT, DRIVE			86
6682863	BOLT			86
6682897	SEAL			86
6683087	STUD			186

Code for disposition of old part number

A -- Use up

B -- Use on other application (See PNI)

C -- File PDR Report with Bobcat Parts Sales

D -- Part Number Error

NUMERICAL INDEX (Cont'd)

Part No.	Description	Was	Code	Page
6683159	BOLT			182
6683202	ENGINE			159, 160
6683206	SEAL KIT			80, 116, 144
6683274	SEAL			62, 66
6683812	SWITCH			130
6684033	NUT			20, 144
6684037	SENSOR			124
6684038	SPRING			88
6684044	VALVE			300
6684045	SEAL KIT			300
6684046	O-RING			300
6684047	BACK-UP RING			300
6684048	O-RING			300
6684049	O-RING			300
6684050	BACK-UP RING			300
6684051	VALVE			300
6684052	SEAL KIT			300
6684053	BACK-UP RING			300
6684054	O-RING			300
6684055	BACK-UP RING			300
6684056	O-RING			300
6684057	BACK-UP RING			300
6684058	COIL			300
6684059	SPACER			300
6684060	NUT			300
6684061	VALVE			300
6684062	SEAL KIT			300
6684063	O-RING			300
6684064	BACK-UP RING			300
6684065	O-RING			300
6684066	O-RING			300
6684067	BACK-UP RING			300
6684069	SEAL KIT			300
6684070	O-RING			300
6684071	O-RING			300
6684072	BACK-UP RING			300
6684073	COIL			300
6684125	COUPLER			64, 66
6684415	BUSS BAR			124
6684474	INSERT FAN INLET			144
6684645	VALVE			62, 66
6684742	NUT			294
6684743	SOLENOID			294
6684744	SOLENOID			294
6684745	PISTON			294
6684746	CHECK VALVE			294
6684747	SEAL KIT			294
6684752	GASKET			164
6684753	GASKET			160, 172
6684754	O-RING			172
6684756	GUIDE			170
6684762	SEAT			169, 170
6684763	SEAT			170
6684770	GASKET			160, 162

Code for disposition of old part number
 A -- Use up
 B -- Use on other application (See PNI)

C -- File PDR Report with Bobcat Parts Sales
 D -- Part Number Error

NUMERICAL INDEX (Cont'd)

Part No.	Description	Was	Code	Page
6684772	BOLT			162
6684774	GASKET			162
6684779	SHIELD			165, 166
6684780	GASKET			160, 166
6684781	BOLT			166
6684782	O-RING			160, 166
6684785	PLUG			172
6684788	GASKET			174
6684789	SEAL			174
6684791	CAMSHAFT			178
6684792	GEAR			178
6684793	GEAR			178
6684794	BUSHING			178
6684795	COLLAR			178
6684813	GASKET			176
6684817	NUT			186
6684818	SEAL			186
6684819	CAP			186
6684823	SPRING			190
6684824	GASKET			160, 190
6684825	GUIDE			186
6684826	SOLENOID			124, 186
6684827	NUT			186
6684829	SHIM			192
6684830	BOLT			192
6684832	LEVER			188
6684833	SHAFT			188
6684836	BOLT			189, 190
6684838	LEVER			187, 188, 190
6684839	LEVER			190
6684841	GASKET			186
6684842	PIPE			193, 194
6684844	BOLT			194
6684845	CLAMP			194
6684848	PIPE			194
6684849	PIPE			194
6684850	GLOW PLUG			194
6684851	CORD			194
6684855	FLANGE			181, 182
6684856	FLANGE			182
6684857	PLUG			182
6684862	PIPE			182
6684863	GASKET			160, 182
6684867	FAN			180
6684868	SEAL			180
6684869	FLANGE			180
6684870	GASKET			160, 180
6684872	VALVE			167, 168
6684873	VALVE			168
6684874	COLLAR			168
6684875	SHAFT			168
6684877	GASKET			160, 184
6684879	GASKET			160, 184
6684889	CLAMP			182

Code for disposition of old part number

A -- Use up

B -- Use on other application (See PNI)

C -- File PDR Report with Bobcat Parts Sales

D -- Part Number Error

NUMERICAL INDEX (Cont'd)

Part No.	Description	Was	Code	Page
6684891	SEAL			186
6684910	SENSOR			134
6684911	SENSOR			132, 138, 200
6684912	SENSOR			132, 137, 138, 200
6684915	LEVER			132, 133, 134
6684916	LEVER			132, 134
6685060	BUSHING			60, 82
6685061	VALVE			300
6685063	HOUSING			86
6685064	POPPET			86
6685065	SHUTTLE			86
6685066	PISTON			86
6685067	GEROLER			86
6685068	FLANGE			86
6685069	RING, BACK-UP			86
6685070	KIT, SEAL COMPLETE			86
6685077	GASKET			170
6685078	GASKET			170
6685079	GASKET			170
6685080	GASKET			170
6685081	GASKET			170
6685085	COVER			166
6685086	COVER			166
6685087	VALVE			166
6685095	RING			174
6685096	RING			174
6685102	PIPE			194
6685103	PIPE			194
6685104	BOLT			182
6685105	PUMP			179, 180
6685106	HOUSING			180
6685190	STARTER			141, 142
6685328	RELIEF VALVE			300
6685344	SWASH PLATE			88, 92
6685345	BRACKET			82, 90
6685346	BRACKET			92
6685372	SEAL			42
6685464	BOLT			188
6685465	O-RING			186
6685466	O-RING			162
6685467	O-RING			162
6685468	O-RING			160, 162
6685469	KEY			174
6685472	CAP			164
6685473	BOLT			192
6685474	BEARING			180
6685475	MANIFOLD			183, 184
6685476	SEAL			190
6685477	PLUG			164
6685478	FLANGE			164
6685479	BEARING			176
6685480	CASE			174
6685481	GEAR			174
6685482	BOLT			174

Code for disposition of old part number

A -- Use up

B -- Use on other application (See PNI)

C -- File PDR Report with Bobcat Parts Sales

D -- Part Number Error

NUMERICAL INDEX (Cont'd)

Part No.	Description	Was	Code	Page
6685483	CASE			174
6685484	CASE			174
6685485	CASE			174
6685486	BEARING			174
6685487	BEARING			174
6685488	WASHER			174
6685489	WASHER			174
6685490	BEARING			174
6685491	BEARING			174
6685492	BEARING			174
6685493	BEARING			174
6685494	WASHER			174
6685495	WASHER			174
6685496	WASHER			174
6685497	WASHER			174
6685498	GASKET			194
6685499	DIPSTICK			172
6685500	COVER			186
6685501	WASHER			162
6685502	SPRING			188
6685503	CYLINDER			170
6685504	CAMSHAFT			175, 176
6685507	PISTON			174
6685508	PISTON			174
6685509	PISTON			174
6685510	PISTON			174
6685511	PUMP			191, 192
6685512	HOLDER KIT			194
6685513	BOLT			186
6685514	SPRING			188
6685515	COVER			174
6685516	COLLAR			176
6685517	STOPPER			176
6685518	OIL PAN			171, 172
6685519	SHAFT			178
6685520	THERMOSTAT			182
6685521	PULLEY			174
6685522	CRANKCASE			163, 164
6685523	HOUSING			161, 162
6685524	PIPE			166
6685525	MANIFOLD			184
6685526	PLATE			190
6685540	PISTON			294
6685541	POPPET			294
6685542	O-RING			294
6685543	CHECK VALVE			294
6685544	COMPENSATOR			294
6685545	PLUG			294
6685546	PLUG			294
6685624	CONTROL VALVE			299, 300
6685625	HOSE			78
6685735	SEAL			150
6686220	O-RING			132
6686267	PUMP			93, 94

Code for disposition of old part number
 A -- Use up
 B -- Use on other application (See PNI)

C -- File PDR Report with Bobcat Parts Sales
 D -- Part Number Error

NUMERICAL INDEX (Cont'd)

Part No.	Description	Was	Code	Page
6686334	CAMSHAFT			185, 186
6686360	VALVE			62, 66
6686388	PUMP			113, 114
6686868	SOLENOID			64
6686926	ELEMENT FILTER			80
6686934	PIN			94
6686949	VALVE			293, 294
6687142	MOTOR			80, 115, 116, 144
6687191	SEAL			88
6687266	FILTER ASSY			80
6687631	BEARING			142
6687773	PLATE			92
6687774	PLATE			88
6687863	PUMP			87, 88, 91, 92
6687864	GEAR PUMP			111, 112
6687866	SEAL KIT			112, 114
6687913	SEAL			83, 84
6687919	COLLAR			106
6687920	SPINDLE			104
6687921	COLLAR			104
6687922	NUT			104
6687923	PIN			104
6687924	VALVE			94, 103, 104
6687926	COLLAR			100, 102
6687927	COLLAR			100, 102
6687928	SPRING			100, 102
6687929	LEVER			108
6687930	WIRE			96, 98
6687931	BUSHING			108
6687932	PIN			94
6687933	SHIM			108
6687934	SHIM			108
6687935	SHIM			108
6687936	SHIM			108
6687937	SHIM			108
6687938	VALVE			94, 105, 106
6687939	SCREW			106
6687940	RING			96, 98
6687941	COUPLER			94
6687942	SPACER			100, 102
6687943	SHAFT			98
6687944	SHIM			108
6687945	PLATE			108
6687946	SPRING			108
6687947	PIN			108
6687948	SPACER			100, 102
6687949	SPACER			100, 102
6687950	GASKET			108
6687951	BRACKET			96, 98
6687953	PISTON			100, 102
6687954	GASKET			108
6687955	HOUSING			108
6687956	BEARING			96, 98
6687957	GROUP			94, 95, 96

Code for disposition of old part number

A -- Use up

B -- Use on other application (See PNI)

C -- File PDR Report with Bobcat Parts Sales

D -- Part Number Error

NUMERICAL INDEX (Cont'd)

Part No.	Description	Was	Code	Page
6687958	GROUP			94, 97, 98
6687959	SHAFT			96
6687960	CONTROL			94, 99, 100
6687961	CONTROL			94, 101, 102
6687962	PISTON			100
6687963	PISTON			102
6687964	HOUSING			94
6687965	SHAFT			94
6687966	PISTON			108
6687967	SPRING			108
6687968	LEVER			108
6687969	COVER			108
6687970	MODULATOR			94, 107, 108
6687971	ROLLER			108
6687972	MODULE			108
6687973	FLANGE			94
6687974	FLANGE			94
6687975	PLATE			98
6687976	PLATE			96
6687977	GROUP			96
6687978	GROUP			98
6687979	GROUP			96, 98
6687981	SCREW			108
6687982	SPRING			108
6687983	RING			106
6687984	SENSOR			94
6687985	RING			100, 102
6687986	KIT			100, 102
6687987	BEARING			96, 98
6687988	FILTER			94
6687989	SOLENOID			108
6687990	RING			94
6687991	KEY			94
6687992	SCREW			94
6687993	COVER			94
6687994	SCREW			94
6687995	SCREW			100, 102
6687996	SCREW			108
6687997	SCREW			108
6687998	SHIM			94
6687999	RING			96, 98
6688000	SEAL			104
6688001	SEAL			108
6688002	RING			100, 102
6688003	SCREW			94
6688004	SEAL			108
6688005	SEAL			100, 102
6688006	SEAL			100, 102
6688007	SEAL			94
6688008	SCREW			94
6688009	SEAL			94
6688010	PIN			108
6688011	PIN			94
6688012	ROLLER			108

Code for disposition of old part number
 A -- Use up
 B -- Use on other application (See PNI)

C -- File PDR Report with Bobcat Parts Sales
 D -- Part Number Error

NUMERICAL INDEX (Cont'd)

Part No.	Description	Was	Code	Page
6688013	SEAL			106
6688014	PIN			94
6688015	SCREW			94
6688016	SCREW			94
6688017	SHIM			106
6688018	BEARING			96, 98
6688019	SEAL			94, 110
6688020	ORIFICE			94
6688021	SPRING			104
6688022	PISTON			106
6688023	SPRING			106
6688024	COVER			100, 102
6688025	RING			100, 102
6688026	RING			100, 102
6688027	RING			100, 102
6688028	RING			100, 102
6688029	RING			100, 102
6688030	RING			100, 102
6688031	ROD			100, 102
6688032	SPACER			100, 102
6688033	SPACER			100, 102
6688034	SCREW			104
6688035	RING			100, 102
6688036	RING			100, 102
6688037	RING			100, 102
6688038	RING			96
6688039	PIN			94
6688040	BEARING			94
6688041	RING			104
6688042	RING			96, 98
6688043	SPRING			104
6688073	CONNECTOR			124
6688385	HYD FILTER ASSY			78, 119, 120
6688397	STEM			64, 66
6688403	PANEL			18, 122
6688404	PANEL			122
6688405	PANEL			122
6688439	CONTROLLER			126
6688521	SPRING			86
6688543	HEATER			266, 267, 268
6688546	CRANKSHAFT			174
6688845	VALVE			64, 68
6688924	MAGNET	6680634	D	40
6689012	UPPER GASKET KIT TIER II ENGINE			160, 170
6689018	LOWER GASKET KIT TIER II ENGINE			160, 164
6689021	SEAL KIT			94
6689058	MOTOR			80, 116, 144
6689059	VALVE ASSY			80, 116, 144
6689060	COIL ASSY			80, 116, 144
6689100	LEVER			188
6689601	VALVE			88, 92
6689602	HOUSING			92
6689635	BRACKET			266

Code for disposition of old part number

A -- Use up

B -- Use on other application (See PNI)

C -- File PDR Report with Bobcat Parts Sales

D -- Part Number Error

NUMERICAL INDEX (Cont'd)

Part No.	Description	Was	Code	Page
6689637	VALVE			266
6689696	BLOWER			268, 269, 270
669863B	SNAP RING			88, 92
6700115	SPRING			150
6700170	WASHER			156, 158
6700182	COVER			12, 38
6700463	CUP			32
6700533	SPACER			32
6700535	SPACER			154
6700631	GASKET			74
6700711	AIR CLEANER			195, 196
6700743	SPRING			158
6701097	WASHER			144
6701123	SCREW			148
6701151	PIPE			148
6701174	WASHER			14
6701449	FILLER TUBE			36
6701535	SPRING			20, 82
6701552	BAFFLE			74
6701893	CLAMP			46, 48
6702301	DECAL			238
6702302	DECAL			238
6702346	SCREEN			202
6702347	SCREEN			202
6702351	KIT			201, 202
6702402	SHIELD			258
6702444	FUSE			126
6702474	RETAINER			150
6702543	LEVER			81, 82
6702583	BUSHING			12
6702584	BUSHING			12
6702593	SPACER			206
6702621	GRIP			128
6702650	MOUNT			252
6702716	BLOCK			82
6702903	LEVER			34
6702904	LEVER			34
6702958	BUSHING			34
6702971	BOLT			14
6702986	NUT			202
6702990	BUSHING			134
6703022	CLIP			150
6703090	HANDLE			202
6703168	BEARING			150
6703331	INSULATION			254, 316
6703363	BUSHING			32
6703427	FOAM FILTER			74
6703471	BRACKET			144
6703483	PULLEY			254
6703616	BUSHING			32
6703640	KIT			311, 312
6703641	DECAL			312
6703703	GUIDE			312
6703727	DECAL			278

Code for disposition of old part number

A -- Use up

B -- Use on other application (See PNI)

C -- File PDR Report with Bobcat Parts Sales

D -- Part Number Error

NUMERICAL INDEX (Cont'd)

Part No.	Description	Was	Code	Page
6703879	BUSHING			82
6703981	MOUNT			154
6704149	BRACKET			284
6704248	PIVOT			34
6704288	PIN			32
6704335	HOSE			46, 48
6704336	HOSE			46, 48
6704391	PULLEY			150
6704436	PAD			32
6704443	BUSHING			150
6704444	WASHER			150
6704484	WASHER			150
6704600	STOP			34
6704601	STOP			34
6704769	INSULATION			254, 314, 316
6704786	DECAL			284
6704820	O-RING			150
6704833	BRACKET			48, 214
6704878	GASKET			38
6704892	RIVET			244, 246
6704978	WASHER			282
6705091	TAB			32
6705106	WASHER			154, 250
6705231	WASHER			150
6705232	WASHER			150
6705333	MOUNT			254, 316
6705452	LEVER			155, 156, 158
6705491	SPRING			150
6705749	SHIELD			46, 48
6705847	SEAL			40
6705848	INSULATION			254, 314, 316
6705849	INSULATION			254, 316
6705850	INSULATION			254, 316
6706043	SPACER			154
6706098	GUIDE			82
6706104	RETAINING NUT			60
6706105	YOKE			60
6706220	TEE			298
6706285	SCREEN			296
6706349	MOUNT			14
6706394	SHIELD			147, 148
6706485	HOOK			38
6706517	SCREW			36, 144
6706558	DECAL			240
6706572	SET SCREW			156, 158
6706718	MOUNT			42
6706737	GASKET			42
6706807	PIN			282
6706825	LIFT EYE			280
6706939	KIT			295, 296
6707101	SEAL			52, 70
6707514	SHIM			34
6707523	SAFETY TREAD			238
6707524	SAFETY TREAD			238

Code for disposition of old part number

A -- Use up

B -- Use on other application (See PNI)

C -- File PDR Report with Bobcat Parts Sales

D -- Part Number Error

NUMERICAL INDEX (Cont'd)

Part No.	Description	Was	Code	Page
6707804	HOUSING			252
6707852	DECAL			216
6707923	INSULATION			254
6707924	INSULATION			254
6708009	LINK			60
6708016	GASKET			42
6708018	SPRING			42
6708043	BUSHING			60
6708189	TUBE			14
6708267	BOLT			42
6708310	HOSE			218
6708770	CAP			150
6708929	DECAL			240
6708987	HINGE			12
6709022	LEVER			156
6709030	DECAL			150, 240, 314
6709170	STUD			44
6709215	BOB-TACH			33, 34
6709527	KEY			122, 216, 222, 302
6710358	DECAL			238
6710585	WASHER			150
6710659	BUSHING			20
6711632	MOUNTING KIT			249, 250
6711643	CAM			84
6711674	MOUNT			262
6711699	HUB ASSY.			150
6712365	STEP			28
6712970	PULLEY			316
6712971	PULLEY			316
6713040	SPRING			34
6713043	SPACER			134
6713150	MOUNT			252
6713151	MOUNT			252
6713507	DECAL			238
6713589	CLEVIS			20
6713736	BRACKETS			252
6713840	DECAL			252
6713841	SHIELD			252
6713887	BOLT			20
6713993	HARNESS			252
6713994	HARNESS			252
6714037	LATCH			302
6714126	DOOR STOP			30
6714212	PULLEY ASSY.			150
6714278	GUIDE			42
6714361	WEIGHT			234
6714726	GROMMET			132
6714810	PIN			32
6714820	SHIELD			252
6715106	INSULATION			254, 314, 316
6715142	FAN			144
6715163	BUSHING			82
6715164	SLEEVE			82
6715183	ELBOW			36

Code for disposition of old part number

A -- Use up

B -- Use on other application (See PNI)

C -- File PDR Report with Bobcat Parts Sales

D -- Part Number Error

NUMERICAL INDEX (Cont'd)

Part No.	Description	Was	Code	Page
6715190	ELBOW			74
6715287	SPACER			250
6715371	INSULATION			254, 314, 316
6715372	INSULATION			254, 316
6715428	DECAL			316
6715659	HARNESS			206
6715716	ELBOW			48
6715744	BUSHING			254, 316
6715860	SEAT BAR			20
6715863	BRACKET			20
6715864	BUSHING			20
6715865	BUSHING			20
6715866	BUSHING			20
6716089	CONNECTOR			262
6716228	BRAKE			42
6716545	ROD			82
6716571	LOUVER			144
6716573	LOUVER			144
6716601	PIN			32
6716621	COVER			26, 28, 126
6716843	WASHER			44
6716916	WASHER			132
6716977	BELLCRANK			132
6717343	DECAL			238
6717393	LEVER			132
6717401	PLUG			36
6717402	BUSHING			36
6717517	INSULATION			18
6717518	INSULATION			18
6717519	INSULATION			18
6717520	INSULATION			18
6717560	PIN			32
6717562	BUSHING			32
6717579	GASKET			126
6717593	HINGE			218, 222
6717870	FRAME			230
6717871	FRAME			230
6717872	FRAME			230
6717873	FRAME			230
6717874	WINDOW			18, 230
6717890	COVER			28
6718034	FUSE			126
6718101	COVER			16
6718175	SCREEN			266
6718260	BATTERY PAN			124
6718326	MOUNT			260
6718376	HINGE			218, 222
6718411	KIT			259, 260
6718414	SENDER			124
6718426	HARNESS			248
6718489	INSULATION			16
6718521	HANDLE			218, 222
6718579	DECAL			266
6718580	PANEL			18

Code for disposition of old part number

A -- Use up

B -- Use on other application (See PNI)

C -- File PDR Report with Bobcat Parts Sales

D -- Part Number Error

NUMERICAL INDEX (Cont'd)

Part No.	Description	Was	Code	Page
6718659	HOUSING			126
6718706	DECAL			132
6718723	WASHER			32
6718750	MOUNT			248
6718789	PIN			32
6718796	PLUG			12, 30
6718805	KIT			229, 230
6718808	KIT			215, 216
6718833	BRACKET			258
6718834	BRACKET			258
6718837	SPACER			266
6718872	HARNESS			208, 252, 260, 322
6718873	HARNESS			260
6718887	PANEL			266
6718924	KIT			257, 258
6719037	STRIKER			230
6719043	HORN KIT			277, 278
6719056	BLOCK			42
6719057	BLOCK			42
6719063	STOP			230
6719064	MOUNT			14, 264
6719065	COVER TAB			230
6719151	HARNESS			278
6719184	MOUNT			284
6719185	MOUNT			284
6719317	WINDOW			304
6719323	KIT			283, 284
6719332	INSULATION			254, 314, 316
6719372	INSULATION			254, 314
6719413	WINDOW			230
6719448	MAGNET			244, 246
6719490	LIFT EYE			280
6719504	INSULATION			16
6719525	BAR			30
6719672	OPERATOR CAB			13, 14, 15, 16
6719766	STOP			30
6719825	BOLT			150
6719826	BOLT			154
6719827	BOLT			154
6719828	BOLT			150, 154
6719829	BOLT			154
6719834	SPACER			134, 200
6719835	SLEEVE			134
6719854	KIT			207, 208
6719857	KIT			321, 322
6719884	BRACKET			290
6719888	DECAL			290
6719906	SPACER			280, 282
6720038	INSTRUCTIONS			210
6720592	INSTRUCTIONS			258
6720621	INSTRUCTIONS			202
6720736	PLUG			209, 210
6722597	VELCRO			228
6722861	INSTRUCTIONS			296

Code for disposition of old part number
 A -- Use up
 B -- Use on other application (See PNI)

C -- File PDR Report with Bobcat Parts Sales
 D -- Part Number Error

NUMERICAL INDEX (Cont'd)

Part No.	Description	Was	Code	Page
6722907	KIT			44, 203, 204
6722908	INSTRUCTIONS			204
6724094	ANTI-FREEZE			328
6724354	ANTI-FREEZE			328
6724482	INSTRUCTION			250
6724775	LEVER KIT			34
6724776	LEVER KIT			34
6725042	SHIELD			216, 222
6725182	TEE			52
6725198	HOSE			290
6725200	PLATE			218, 222
6725212	ARM			150
6725256	COUNTERWEIGHT			30
6725297	BRACKET			284
6725299	BRACKET			284
6725300	BRACKET			284
6725301	COVER			16
6725302	GASKET			25, 26, 28
6725303	FRAME			16
6725316	INSULATION			254, 314, 316
6725370	DECAL			308
6725373	SPRING PLATE			16
6725421	HANDLE			232
6725502	ELBOW			196
6725513	PACKAGE			266
6725898	KIT			255, 256
6725906	BRACKET			256
6725907	DECAL			290
6725937	CLAMP			222
6725938	CLAMP			222
6725941	KIT			221, 222
6725946	KIT			231, 232
6726277	CLAMP			46, 48
6726303	DECAL			232
6726386	KNOB			266
6726423	DECAL			280
6726427	KIT			223, 224
6726430	HARNESS			252
6726573	BRACKET			132, 200
6726613	MOUNT			150
6726621	SCREW			272, 274
6726655	KIT			303, 304
6726681	LINK			132, 200
6726945	MOUNT			246
6727065	BOLT			134, 200
6727176	KIT			241, 242
6727223	DECAL			238
6727299	INSULATION			18, 314
6727475	CAP			74
6727496	PIN			132, 200
6727544	PLATE			32
6727545	PLATE			32
6727580	MOUNT			132
6727595	DECAL			240

Code for disposition of old part number

A -- Use up

B -- Use on other application (See PNI)

C -- File PDR Report with Bobcat Parts Sales

D -- Part Number Error

NUMERICAL INDEX (Cont'd)

Part No.	Description	Was	Code	Page
6727627	TUBE			50, 214
6727659	TEE			46, 48
6727707	CLAMP			46, 48
6727739	KIT			245, 246
6727752	GASKET			148
6727786	KIT			273, 274
6727847	COVER			266
6727869	SENDER			126
6727917	SAFETY TREAD			238
6727926	DECAL			132, 200, 240
6727941	DECAL			132
6728045	DECAL			200
6728149	CAP			7, 8, 74
6728459	DOOR SENSOR			216, 222
6728473	BOLT			34
6728539	DECAL			132, 200, 238
6728540	DECAL			200
6728567	KIT			271, 272
6728626	HARNESS			126
6729008	CABLE			124
6729009	SEAL			230
6729010	SEAL			230
6729011	SEAL			230
6729012	INSULATION			14
6729013	INSULATION			14
6729141	MOUNT			264
6729144	HOSE			254, 316
6729154	HOSE			316
6729155	HOSE			254
6729380	HARNESS			246
6729467	SPACER			132, 200
6729594	HANDLE			134
6729595	HANDLE			134
6729688	LATCH			302
6729776	WINDOW			220
6729853	HOSE			36
6729896	TIRE			323, 324
6729900	TIRE			324
6729903	TEE			46, 48
6729908	MOUNT			52
6729939	LATCH PLATE			30
6729991	REAR DOOR			30
6730013	COVER			40
6730106	TIRE			324
6730291	BRACKET			246
6730771	RIM			324
6730772	RIM			324
6730775	RIM			324
6730867	BRACKET			154
6730997	BUSHING			34
6730999	TUBE ASSY			146
6731059	INLET			36
6731060	SHIELD			154
6731082	HOSE			290

Code for disposition of old part number

A -- Use up

B -- Use on other application (See PNI)

C -- File PDR Report with Bobcat Parts Sales

D -- Part Number Error

NUMERICAL INDEX (Cont'd)

Part No.	Description	Was	Code	Page
6731084	ADAPTER			276
6731119	PIVOT ASSY			34
6731121	PLUG			12, 38
6731151	KIT			199, 200
6731218	CHAIN			38
6731219	CHAIN			38
6731222	PIN			252
6731239	HARNESS			252
6731256	CABLE			124
6731275	INSULATION			126
6731478	EXIT TAG			18, 230
6731578	BUSHING			12
6731729	TUBE			54
6731732	CLAMP			54
6731757	DECAL			238
6731819	STRAP			252
6731898	PEDAL			158
6731900	ROD			158
6731908	TUBE			54
6731973	HOLDER			252
6731979	BUSHING			34
6731994	DECAL			314
6732001	KIT			301, 302
6732023	CONNECTOR			276
6732206	SPACER			252
6732219	KIT			307, 308
6732265	BUSHING			32
6732318	SPACER			144
6732322	SPACER			158
6732350	WINDOW			224
6732351	WINDOW			222
6732457	WASHER			144
6732715	LATCH			30
6732722	INSULATION			254, 314, 316
6732723	INSULATION			254, 314, 316
6732730	HARNESS			244
6732870	MOUNT			144
6732928	KIT			263, 264
6732997	U-BOLT			82
6733022	BRACKET			82
6733024	BRACKET			82
6733107	PLUG ASSY			14
6733121	SEAL(31"STRIP)			14
6733136	KIT			243, 244
6733142	KIT			247, 248
6733144	MOUNT			244
6733429	CAP			144
6733430	HARNESS		A	132
6733575	HINGE			30
6733616	BUMPER			30
6733617	MOUNT ASSY.			39, 40
6733619	HOUSING			40
6733621	SHAFT			40, 42
6733667	LATCH			30

Code for disposition of old part number

A -- Use up

B -- Use on other application (See PNI)

C -- File PDR Report with Bobcat Parts Sales

D -- Part Number Error

NUMERICAL INDEX (Cont'd)

Part No.	Description	Was	Code	Page
6733701	COVER			12
6733886	BOLT			144
6733956	COVER			12, 42
6733970	MOUNT			206, 278
6733996	DECAL			144
6734236	ADAPTER			144
6734272	BAND			74
6734298	MOUNT			82
6734416	LEVER			158
6734417	LEVER			158
6734503	CLEVIS			158
6734520	COVER			156, 158
6734534	DECAL			240, 314
6734646	DECAL			132
6734742	BRACKET			82
6735140	DECAL			238
6735245	DUCT			266
6735246	DUCT			266
6735253	LINK			82
6735285	AIR CLEANER			254
6735344	SHIELD			12
6735349	HOSE			316
6735612	CHAINCASE COVER			12, 42
6735790	DECAL			282
6735802	LIFT EYE			282
6735825	SPACER			252
6735864	DECAL			238, 240
6735883	BRACKET			150
6735884	IDLER ASSY.			150
6735890	LIFT EYE			282
6735901	DECAL			240
6735997	HOSE			46, 48
6736007	TUBE			46, 48
6736008	TUBE			46, 48
6736099	TEE			46, 48
6736122	TUBE			46, 48
6736123	HOSE			46, 48
6736124	HOSE			46, 48
6736147	KIT, REAR AUX			297, 298
6736150	TUBE			54
6736176	HOSE			54
6736195	ROD			156
6736208	HOSE			36
6736348	TUBE			50, 214
6736359	GRILL			144
6736362	RADIATOR			143, 144, 145, 146
6736377	OIL COOLER			77, 78
6736378	SPACER			144
6736379	TANK			144
6736641	PAINT			328
6736642	PAINT			328
6736644	PAINT			328
6736645	PAINT			328
6736775	BELT			6, 150

Code for disposition of old part number
 A -- Use up
 B -- Use on other application (See PNI)

C -- File PDR Report with Bobcat Parts Sales
 D -- Part Number Error

NUMERICAL INDEX (Cont'd)

Part No.	Description	Was	Code	Page
6736807	FLYWHEEL ASSY			150
6736817	MOUNT			154
6736875	TANK			216
6737088	COVER			198
6737134	LIFT ARM			32
6737170	TUBE			46, 48
6737171	TUBE			46, 48
6737172	TUBE			290
6737173	TUBE			290
6737174	TUBE			54
6737175	TUBE			54
6737189	DECAL			206
6737191	WEDGE			34
6737249	HOUSING			144
6737274	LIFT ARM STOP			32
6737365	HOSE			148
6737368	BRACKET			36
6737388	WASHER			60, 82
6737453	ELBOW			74
6737500	HOSE			74
6737501	HOSE			74
6737524	KNOB			52, 70
6737623	BUSHING			32
6737704	INSULATION			18
6737783	KIT		A	2, 238
6737783	KIT			2, 238
6801059	WASHER			220, 304
6801167	PLUG			68
6803092	BONNET			68
6803473	SEAL KIT			292
6804629	CYLINDER			55, 56
6804631	ROD			56
6804632	PISTON			56
6804790	DECAL			16
6804920	BUSHING			62, 66
6804927	SEAL KIT			58
6805102	BUSHING			62, 66
6805150	BUSHING			56
6806987	HOSE			290
6809200	CYLINDER			57, 58
6809202	TUBE			58
6809209	CASE			58
6809425	SEAL KIT			64
6809726	ROLLER			30
6809727	CHANNEL			30
6809734	BUSHING			30
6809759	ROD			58
6809845	BOLT			30
6810132	SPRING			30
6810141	SPRING			30
6810349	CASE			292
6810356	SPACER			292
6810539	NUT			56
6810611	CYLINDER			291, 292

Code for disposition of old part number
 A -- Use up
 B -- Use on other application (See PNI)

C -- File PDR Report with Bobcat Parts Sales
 D -- Part Number Error

NUMERICAL INDEX (Cont'd)

Part No.	Description	Was	Code	Page
6810612	ROD			292
6811483	COUNTERWEIGHT			236
6812170	PLUG			58, 292
6812569	DECAL			254
6812815	FITTING			74
6813153	PLATE			62
6814279	BLOCK			62, 68
6814531	ELBOW			46, 48
6814694	RETAINER			62, 66
6814830	HARNESS			124
6815014	CHECK VALVE			64, 66
6815152	SPOOL			62
6815887	HOSE			80
6816252	SEAL KIT			64
6816253	SEAL KIT			64
6816323	SEAL KIT			56
6816549	PLUG			64, 66
6816855	PLUG			56
6817003	BODY			62
6817004	BODY			66
6817566	BUSHING			154
6817707	PLUG			62, 66
6900366	INSTRUCTIONS			234
6900848	INSTRUCTIONS			260
6900852	INSTRUCTIONS INSTL	6901013	B	230
6900853	INSTRUCTIONS			230
6900854	INSTRUCTIONS INSTL			218
6900861	INSTRUCTIONS			24
6900888	INSTRUCTIONS			284
6900913	INSTRUCTIONS			278
6900991	INSTRUCTIONS			208
6900992	INSTRUCTIONS			322
6901003	INSTRUCTIONS			316
6901010	INSTRUCTIONS			308
6901011	INSTRUCTIONS			310
6901013	INSTRUCTIONS			222
6901025	INSTRUCTIONS			256
6901029	INSTRUCTIONS			232
6901036	INSTRUCTIONS			224
6901061	INSTRUCTIONS			304
6901076	INSTRUCTIONS			242
6901116	INSTRUCTIONS			246
6901120	INSTRUCTIONS			274
6901213	INSTRUCTIONS			272
6901492	INSTRUCTIONS			200
6901656	INSTRUCTIONS			302
6901663	INSTRUCTIONS			252
6901816	INSTRUCTIONS			264
6901871	INSTRUCTIONS			248
6901872	INSTRUCTIONS			244
6902228	PAINT			327, 328
6902229	PAINT			328
6902230	PAINT			328

Code for disposition of old part number

A -- Use up

B -- Use on other application (See PNI)

C -- File PDR Report with Bobcat Parts Sales

D -- Part Number Error

NUMERICAL INDEX (Cont'd)

Part No.	Description	Was	Code	Page
6902233	PAINT			328
6902234	PAINT			328
6902235	PAINT			328
6902815	INSTRUCTIONS			290
6902816	INSTRUCTIONS			298
6902830	INSTRUCTIONS			214
6902945	INSTRUCTIONS			314
6903105	OIL 15W40 QT. 12			2, 4, 6, 328
6903106	OIL 15W40 GAL. 6			2, 4, 6, 328
6903107	OIL 10W30 QT. 12			2, 4, 6, 328
6903108	OIL 10W30 GAL. 6			2, 4, 6, 328
6903109	OIL 30W QT. 12			2, 4, 6, 328
6903110	OIL 30W GAL. 6			2, 4, 6, 328
6903111	OIL 30W 2.5 GAL 2			2, 4, 6, 328
6903112	OIL 10W30 2.5 GAL 2			2, 4, 6, 328
6903113	OIL 15W40 2.5 GAL. 2			2, 4, 6, 328
6903117	HYD FLUID 2.5 GAL. 2			2, 9, 10, 328
6903118	HYD. FLUID 5GAL			2, 10, 328
6903119	HYD. FLUID 55GAL			2, 10, 328
6903121	GEAR LUBE 12			6, 328
6903122	GREASE 10			5, 6, 328
6903126	INSTRUCTIONS			306
6903139	INSTRUCTIONS			262
6903150	INSTRUCTIONS			280
6903164	INSTRUCTIONS			236
6903293	INSTRUCTIONS			206
6903766	31X6X10 SOLID FLEX TIRE AND WHEEL (LEFT)			325, 326
6903767	31X6X10 SOLID FLEX TIRE AND WHEEL (RIGHT)			326
6904119	O/M S130 "K"			2
6904121	S/M S130 "K"			2
6904255	INSTRUCTIONS			266, 276
6904268	P/M S130K			2
69G000436B	BOLT			66, 132
6E000005B	WASHER			122, 154, 260
6E000006B	WASHER			124
6EM00080B	WASHER			142
6J000807B	KEY			150
6J001664B	WOODRUFF KEY			44
7100241	TUBE			52, 74
7100462	CLAMP			52, 74, 78
7100506	GAS SPRING			14
7100508	GAS SPRING			14
7100572	BELT			6, 154
7100573	HOSE			148
7100699	WASHER			82, 132
7100783	TUBE			50, 214
7100795	MOUNT			82
7100840	MUFFLER			148

Code for disposition of old part number

A -- Use up

B -- Use on other application (See PNI)

C -- File PDR Report with Bobcat Parts Sales

D -- Part Number Error

NUMERICAL INDEX (Cont'd)

Part No.	Description	Was	Code	Page
7100853	HOSE			52, 74
7101078	PIN			32
7101090	HOSE			144
7101189	COVER			26
7101291	ELBOW			36
7101345	BONNET			66
7101371	ELBOW			62
7101394	LINK			60
7101395	LINK ASSY			60
7101528	INSULATION			316
7101529	INSULATION			316
7101631	TEE			46, 48
7101672	ACTUATOR			130, 132
7101703	BRACKET			298
7101705	ADAPTER			132
7101711	HOSE			298
7101712	TUBE			298
7101713	TUBE			298
7101714	HOSE			298
7101715	TUBE			298
7101719	HOSE			298
7101738	HOSE			290
7101797	ELBOW			52, 74
7101860	HOSE			54, 75, 76
7101893	SPACER			298
7101928	VALVE			266
7102018	TEE			66
7102019	FITTING			64
7102047	TUBE			46
7102066	CROSS			64, 66
7102102	PIN			280
7102117	TANK			36
7102338	HARNESS			298
7102451	FITTING			124
7102652	SCREW			68
7102809	KIT, BPV			213, 214
7103075	SEAL			230
7103227	INSULATION			314, 317, 318
7103271	WASHER			82
7103491	SEAL			306
7103678	PAD			46, 48
7103683	LIFT HOOK			46, 48
7103708	BRACKET			82
7103711	BOLT			82
7103790	MUFFLER			287, 288
7104242	TUBE			48, 214
7104379	HARNESS			124
7104434	SOUND KIT			313, 314
7104465	DOOR SWITCH HARNESS			216, 222
7104568	MOUNT			154
7104608	BUSHING			154
7104743	LIFT KIT			279, 280
7104744	KIT, ENCLOSURE SEAL			305, 306

Code for disposition of old part number

A -- Use up

B -- Use on other application (See PNI)

C -- File PDR Report with Bobcat Parts Sales

D -- Part Number Error

NUMERICAL INDEX (Cont'd)

Part No.	Description	Was	Code	Page
7104803	DECAL			282
7104852	KIT, RH FRONT AUX			261, 262
7104911	TUBE			262
7104912	TUBE			262
7104913	HOSE			262
7105035	WINDOW			18, 230
7105192	BOLT			82
7105193	BOLT			82
7105223	SPACER			82
7105744	200 LB CTW KIT			235, 236
7105756	TIRE	6730107	A	324
7105816	MOUNT ASSY			236
7105825	ROD			236
7105983	BOLT			122
7106040	ELBOW			74
7106080	TEE			74
7106205	HOSE			74
7106212	HOSE			74
7106687	SHIELD			26, 28
7106712	SEAT			62, 66
7107175	INLET			144
7107387	KIT, POWER BOB-TACH			289, 290
7107544	HARNESS			206
7107829	BACK UP ALARM KIT			205, 206
7107840	HOSE			74
7107849	MOUNT			154
7107986	LINK			82
7108034	MAIN FRAME			11, 12
7108236	PIN			132
7108241	LIFT SPOOL			66
7108242	TILT SPOOL			66
7108716	SEAL			318
7108781	SPOOL			62
7108976	TEE			80
7108991	TANK			73, 74
7108992	INSULATION			318
7108993	INSULATION			318
7109279	BRACKET			80
7109314	MOUNT			156
7109317	INSULATOR			318
7109318	INSULATOR			318
7109403	HARNESS			286
7109404	HARNESS			286
7109474	TUBE			80
7109495	MOUNT			126
7109661	DOOR LATCH			216, 222
7109662	HANDLE			216, 222
7109663	SPACER			216, 222
7109664	BOLT			216, 222
7109665	DOOR			216
7109712	SHIELD			150
7110287	GASKET			40
7110316	DECAL			216, 222

Code for disposition of old part number

A -- Use up

B -- Use on other application (See PNI)

C -- File PDR Report with Bobcat Parts Sales

D -- Part Number Error

NUMERICAL INDEX (Cont'd)

Part No.	Description	Was	Code	Page
7110365	PINTLE ARM			82
7110380	SHIELD, RH			12
7110386	SHIELD, LH			12
7110429	HOSE			318
7110430	SPECIAL APPS DOOR			222
7110571	BELLCRANK			82
7110834	HOSE			74
7110914	TUBELINE			63, 64, 66
7111965	MOUNT			78
7111992	JOYSTICK ASMBLY RH			130
7111993	JOYSTICK ASMBLY LH			130
7112290	HARNESS			290
7112383	AUX SPOOL			62, 66
7112651	HOSE			318
7112854	BRACKET			124
7113007	VALVE			61, 62
7113009	VALVE			65, 66
7113010	SPACER			154
7113208	HOSE			276
7113209	HOSE			276
7113305	HOSE			74
7113340	CAP			36
7113572	TUBE			52
7113590	TUBE			46, 48
7113591	TUBE			46, 48
7113635	PULLEY			150
7113986	HOSE			80
7113987	HOSE			78
7113988	TUBE			78
7114072	HOSE			80
7114191	MOUNT			158
7114209	ROD			158
7114318	HOSE			290
7114337	TEE			52, 80
7114484	TUBE			46, 48
7114487	HOSE			74
7114490	HOSE			80
7114604	CHOKE			196
7114667	ROD			156
7114735	HARNESS			130
7114739	SPACER			154
7115214	BRACKET			130
7115219	PEDAL			60, 200
7115220	MOUNT			60, 200
7115221	HARNESS			130
7115494	TUBE			52
7115849	HOSE			290
7116259	HARNESS			123, 124, 125, 126
7116260	HARNESS			18, 122
7116261	HARNESS			18, 121, 122
7116870	DECAL			238, 240
7116899	KIT HEATER CAB			265, 266

Code for disposition of old part number

A -- Use up

B -- Use on other application (See PNI)

C -- File PDR Report with Bobcat Parts Sales

D -- Part Number Error

NUMERICAL INDEX (Cont'd)

Part No.	Description	Was	Code	Page
7116900	KIT			275, 276
7116956	BRACKET			124
7116995	TUBELINE			62, 66
7117103	MOUNT			78
7117123	PANEL			28
7117171	HOSE			46, 48
7117232	PANEL			27, 28
7117322	HARNESS			216, 222
7117344	CHAINCASE			12, 38
7117407	DECAL			26, 126
7120272AR	KIT, TRANSLATION			238, 240
7120272BR	KIT, TRANSLATION			238, 240
7120273AR	KIT, DECAL			238, 240
7120273BR	KIT, DECAL			238, 240
7120273JP	KIT, DECAL			238, 240
7120601	DECAL			238, 240
7121223	CAP			36
7121399	SPRING	6810950	A	64, 66
7121439	INSULATION			314
72F00001B	DRAIN COCK			36
73G000656B	BOLT			149, 150, 290
73G000824B	BOLT			82
73G624	BOLT			82
73K000013B	O-RING			66
73K000016B	RING			66
73K000222B	WASHER			292
73K000224B	WASHER			58
743332B	GREASE ZERK			32, 34
75K000003B	O-RING			58
75K000006B	O-RING			56
75K000007B	O-RING			56
774220	NUT			206
799119B	SNAP RING			62
79K000002B	O-RING			144
79K000003B	O-RING			292
79K000005B	O-RING			36, 86
79K000006B	O-RING			52, 54, 62, 66, 72, 74, 76, 80, 86, 262, 298
79K000007B	O-RING			64, 294
79K000008B	O-RING			62, 66, 72, 88, 92, 154, 294
79K000010B	O-RING			46, 48, 50, 62, 66, 80, 88, 214, 294
79K000012B	O-RING			52, 54, 74, 78, 80, 88, 92, 254, 298, 316
79K000016B	O-RING			62
7D000004B	NUT			52, 70
80K000013B	WASHER			64
80K000014B	RING			62
80K000016B	WASHER			64
80K000338B	RING			56
82K000238B	O-RING 10			56
83D000004B	NUT			20, 52, 252, 266, 278
83D000005B	NUT			50, 278
83D000006B	NUT			60, 82, 148, 244, 246, 258, 298
83D000008B	NUT			12, 154
83D000010B	NUT			280, 282
83G003732B	BOLT			124

Code for disposition of old part number

A -- Use up

B -- Use on other application (See PNI)

C -- File PDR Report with Bobcat Parts Sales

D -- Part Number Error

NUMERICAL INDEX (Cont'd)

Part No.	Description	Was	Code	Page
84G001320B	BOLT			206
84G003112B	BOLT			14, 26, 28, 36, 124, 126, 144, 244, 246, 248
84G003116B	BOLT			36
84G003708B	BOLT			78, 148
84G003710B	BOLT			132, 200
84G003712B	BOLT			12, 26, 28, 36, 38, 74, 122, 124, 148, 154, 156, 158, 252, 262
84G003716B	BOLT			12, 36, 42, 79, 80, 124, 154, 156, 202, 252, 254, 316
84G003720B	BOLT			42, 158, 198, 298
84G003724B	BOLT			78, 156, 158, 254, 290, 316
84G003728B	BOLT			46, 48
84G003732B	BOLT			46, 48, 78
84G003740B	BOLT			54
851242B	BEARING			176
85D000004B	NUT			252
85D000005B	NUT			156, 158, 286
85D000006B	NUT			16, 30, 32, 34, 74, 254, 280, 282, 316
85D000007B	NUT			16
85D000008B	NUT			14, 150, 153, 154
85G000616B	SCREW			252
85G000808B	BOLT			252
866028B	CLAMP			196
86F000005B	NUT			262
86F000008B	NUT			78
872229	WASHER			46, 48, 54
87D000005B	NUT			280, 282
898731B	BULB			286
89D000005B	NUT			28
8D000006B	NUT			82
91D000006B	NUT			54, 82
91G000420B	BOLT			18, 230
92D000010B	NUT			292
92D000012B	NUT			150
92D000014B	NUT			58
93G000824B	SCREW			38
95D000005B	NUT			132, 200
95D000006B	NUT			56, 60, 132, 144, 156, 222
95D000008B	NUT			14
96D000008B	NUT			144
97D000004B	NUT			206
97D000006B	NUT			130
97D000008B	NUT			264
98D000006B	NUT			82, 132
98G000412B	BOLT			138
9G000620B	BOLT			34

Code for disposition of old part number

A -- Use up

B -- Use on other application (See PNI)

C -- File PDR Report with Bobcat Parts Sales

D -- Part Number Error